



PM/P/P Cores Halves/EP/TT/PR Cores

Series/Type: P 36 x 22

The following products presented in this data sheet are being withdrawn.

Ordering Code	Substitute Product	Date of Withdrawal	Deadline Last Orders	Last Shipments
B65612A50000000		2004-10-18	2005-03-31	2005-09-30
B65611D0000R026	B65611D0000R048	2002-08-02	2002-12-31	2003-03-31

For further information please contact your nearest EPCOS sales office, which will also support you in selecting a suitable substitute. The addresses of our worldwide sales network are presented at www.epcos.com/sales.



P 36 × 22

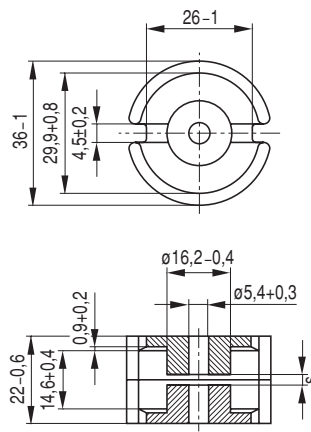
Core

B65611

- In accordance with IEC 60133
- Pot cores are supplied in sets

Magnetic characteristics (per set)

	with center hole	without center hole	
$\Sigma l/A$	0,26	0,25	mm ⁻¹
l_e	52	53,5	mm
A_e	202	213	mm ²
A_{min}	—	173	mm ²
V_e	10 600	11 400	mm ³



Approx. weight (per set)

m	57	59,5	g
-----	----	------	---

Gapped

Material	A_L value nH	s approx. mm	μ_e	Ordering code ¹⁾ -D with center hole -T with threaded sleeve
N48	250 ± 2 %	1,20	52	B65611-+250-G48
	400 ± 2 %	0,62	83	B65611-+400-G48
	630 ± 3 %	0,35	130	B65611-+630-A48
	1000 ± 3 %	0,22	207	B65611-+1000-A48

Ungapped

Material	A_L value nH	μ_e	Ordering code -D with center hole -W without center hole
N26	7600 + 30/- 20 %	1570	B65611-D-R26
N30	15200 + 30/- 20 %	3020	B65611-W-R30

1) Replace the + by the code letter "D" or "T" for the required version.



P 36 × 22

Accessories

B65612

Coil former

Standard: to IEC 60133

Material: GFR polyterephthalate (UL 94 V-0, insulation class to IEC 60085:
F \triangleq max. operating temperature 155 °C), color code black

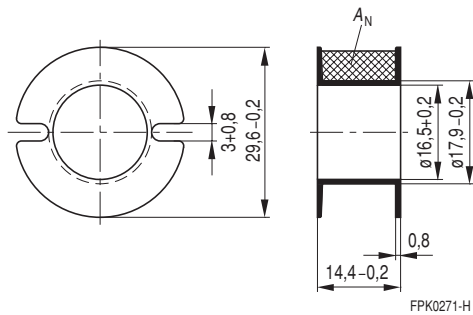
Winding: see "Processing Notes", page 155

Insulating washer 1 between core and coil former

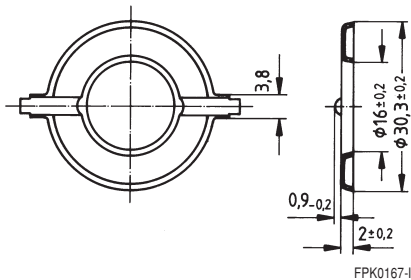
- For tolerance compensation and for insulation
- Polycarbonate spring washer (UL 94 V-0, insulation class to IEC 60085: E \triangleq 120°C), 0,08 mm thick

Coil former				Ordering code
Sections	A_N mm ²	l_N mm	A_R value $\mu\Omega$	
1	63	73	39	B65612-B-T1
Insulating washer 1 (reel packing, PU = 1 reel)				B65612-A5000

Coil former



Insulating washer 1





P 36 × 22

Accessories

B65615

Mounting assembly for printed circuit boards

- The set comprises a terminal carrier and a yoke

Terminal carrier

Material: GFR polyterephthalate (UL 94 V-0, insulation class to IEC 60085:

F $\hat{=}$ max. operating temperature 155 °C), color code gray

Solderability: to IEC 60068-2-20, test Ta, method 1 (aging 3): 235 °C, 2 s

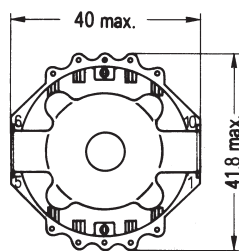
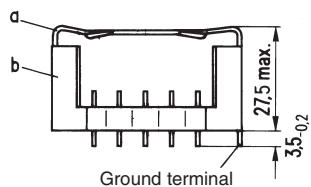
Resistance to soldering heat: to IEC 60068-2-20, test Tb, method 1B: 350 °C, 3,5 s

Yoke

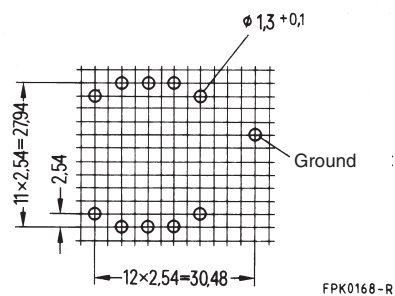
Spring yoke, made of nickel silver (0,6 mm), with ground terminal

Complete mounting assembly (10 solder terminals)

Ordering code: B65615-B1



Hole arrangement
View in mounting direction



a) Yoke

b) Terminal carrier with 10 solder terminals



P 36 × 22

B63399

Accessories

B65679

Adjusting screw

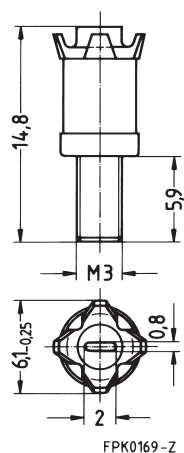
■ Tube core with thread and core brake made of GFR polyterephthalate

Plastic **adjusting screwdriver** (not shown)

Plastic **handle** for adjusting screwdriver (not shown)

Core P 36 × 22		Adjusting screw			Min. adjusting range %	Ordering code
Material	A _L value nH	Tube core ∅ × length mm	Material	Color code		
N 48	250	4,55 × 6,3	N 22	red	15	B65679-E3-X22
	400	4,98 × 6,3	N 22	black	8	
	630	5,15 × 6,3	N 22	white	14	
	1000				8	B65679-E1-X22
Adjusting screwdriver						B63399-B1
Handle						B63399-B5

Adjusting screw ¹⁾



1) Due to the limited distance between adjusting screw and internal borehole, the entire assembly must be accurately centered.

Herausgegeben von EPCOS AG

Marketing Kommunikation, Postfach 80 17 09, 81617 München, DEUTSCHLAND

© EPCOS AG 2000. Alle Rechte vorbehalten. Vervielfältigung, Veröffentlichung, Verbreitung und Verwertung dieser Broschüre und ihres Inhalts ohne ausdrückliche Genehmigung der EPCOS AG nicht gestattet.

Mit den Angaben in dieser Broschüre werden die Bauelemente spezifiziert, keine Eigenschaften zugesichert. Bestellungen unterliegen den vom ZVEI empfohlenen Allgemeinen Lieferbedingungen für Erzeugnisse und Leistungen der Elektroindustrie, soweit nichts anderes vereinbart wird.

Diese Broschüre ersetzt die vorige Ausgabe.

Fragen über Technik, Preise und Liefermöglichkeiten richten Sie bitte an den Ihnen nächstgelegenen Vertrieb der EPCOS AG oder an unsere Vertriebsgesellschaften im Ausland.

Bauelemente können aufgrund technischer Erfordernisse Gefahrstoffe enthalten. Auskünfte darüber bitten wir unter Angabe des betreffenden Typs ebenfalls über die zuständige Vertriebsgesellschaft einzuholen.

Published by EPCOS AG

Marketing Communications, P.O. Box 80 17 09, 81617 Munich, GERMANY

© EPCOS AG 2000. All Rights Reserved. Reproduction, publication and dissemination of this brochure and the information contained therein without EPCOS' prior express consent is prohibited.

The information contained in this brochure describes the type of component and shall not be considered as guaranteed characteristics. Purchase orders are subject to the General Conditions for the Supply of Products and Services of the Electrical and Electronics Industry recommended by the ZVEI (German Electrical and Electronic Manufacturers' Association), unless otherwise agreed.

This brochure replaces the previous edition.

For questions on technology, prices and delivery please contact the Sales Offices of EPCOS AG or the international Representatives.

Due to technical requirements components may contain dangerous substances. For information on the type in question please also contact one of our Sales Offices.