



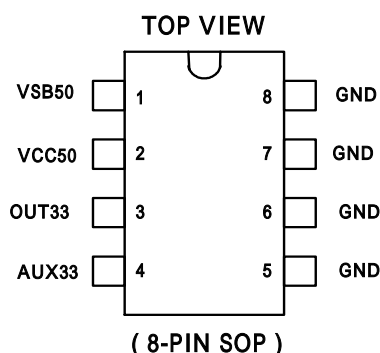
Details are subject to change without notice

250-mA MULTI-INPUT LOW-DROPOUT REGULATOR WITH V_{AUX} SWITCH

Features

- Complete Power Management
- Automatic Input Voltage Selection
- Input Voltage Source Detector With Hysteresis
- 250-mA Load Current Capability With VCC50 or VSB50 or AUX33 Input Source
- Integrated Low $r_{DS(on)}$ Switch
- Regulated Output 3.3V (fixed)
- Output Short Circuit Protection

Pin Configuration



Description

The AAT1203 is a multi-input low-dropout regulator designed for LAN cards. It provides constant output supply 3.3V at an output capable of driving a 250-mA load.

The AAT1203 is equipped with regulated power output for systems that have multiple input sources and require constant voltage source with a low-dropout voltage. This is an intelligent power source selection device with a low-dropout regulator for either VCC50 or VSB50 inputs, and a low-resistance bypass switch for the AUX33 input.

The AAT1203 allows transitions to progress smoothly from one input supply to another without generating a glitch outside of the specified range of the 3.3-V output. The device has an incorporated reverse-blocking scheme to prevent excess leakage from the input terminals in the event that the output voltage is greater than the input voltage.

The input voltage is prioritized in the following order: VCC50, VSB50, AUX33.



Function Table

INPUT VOLTAGE STATUS (V)			INPUT SELECTED	OUTPUT (V)	OUTPUT (I)(mA)
VCC50	VS50	AUX33	VCC50/VS50/AUX33	OUT33	Iout33
0	0	0	None	0	0
0	0	3.3	AUX33	3.3	250
0	5	0	VS50	3.3	250
0	5	3.3	VS50	3.3	250
5	0	0	VCC50	3.3	250
5	0	3.3	VCC50	3.3	250
5	5	0	VCC50	3.3	250
5	5	3.3	VCC50	3.3	250

Pin Description

TERMINAL NAME	TERMINAL NO.	I/O	DESCRIPTION
VS50	1	I	5V Standby Supply Input
VCC50	2	I	5V Main Supply Input
OUT33	3	O	3.3V Regulated Output
AUX33	4	I	3.3V Auxiliary Supply Input
GND	5	I	Ground
GND	6	I	Ground
GND	7	I	Ground
GND	8	I	Ground

Absolute Maximum Ratings

- Main Supply Voltage, $V_{(VCC50)}$ -0.5 V~7V
- Standby Supply Voltage, $V_{(VS50)}$ -0.5 V~7V
- Auxiliary Supply Voltage, $V_{(AUX33)}$ -0.5 V~7V
- Output Current Limit, $I_{(LIMIT)}$ 1.5A
- Continuous Power Dissipation, P_d (see Note 1) 1.1W
- Electrostatic Discharge Susceptibility, Human Body Mode 2kV
- Operating Ambient Temperature Range, T_C 0 to +70
- Storage Temperature Range, $T_{storage}$ -45 to +125
- Operating Junction Temperature Range, T_J -5 to +130
- Lead Temperature (Soldering for 10 seconds), $T_{(LEAD)}$ 260



Note 1 : The device deteriorates with increase in ambient temperature, T_C . See Thermal Information section.

Recommended Operating Conditions

Parameter	Min	Typ	Max	Unit
5V Main Supply Input, VCC50	4.5	-	5.5	V
5V Standby Supply Input, VSB50	4.5	-	5.5	V
3.3V Auxiliary Supply Input, AUX33	3.0	-	3.6	V
Load Capacitance, C_L	4.23	4.70	5.17	μ F
Load Current, I_L	0	-	250	mA
Ambient Temperature, T_C	0	-	70	

Electrical Characteristics Over Recommended Operating Free-Air Temperature, $T_C = 0$ to 70 , $C_L = 4.7\mu$ F (Unless Otherwise Specified)

Parameter	Symbol	Test Condition	Min	Typ	Max	Unit
5V Inputs	VCC50 VSB50		4.5	5.0	5.5	V
3.3V Output	OUT33	$I_{out33} = 250\text{mA}$	3.135	3.300	3.465	V
Line Regulation Voltage	$\Delta V_{O(\Delta VI)}$	VSB50 or VCC50 = 4.5V to 5.5V	-	2	-	mV
Load Regulation Voltage	$\Delta V_{O(\Delta IO)}$	$20\text{ mA} < I_L < 250\text{ mA}$	-	40	-	mV
Quiescent Supply Current	I_{50}	From VCC50 VSB50 terminals, $I_L = 0\text{mA}$ to 250mA	-	1.0	3.0	mA
I_{AUX}	I_{AUX}	From AUX33 terminal, $I_L = 0\text{A}$	-	1.0	3.0	mA
Out33 Load Current	I_{L33}		0.25	-	-	A
Output Current Limit	I_{LIMIT}	Out33 Output short to 0V	-	-	1.5	
Thermal Shutdown (Note 2)	T_{TSD}		150	-	180	
Thermal Hysteresis (Note 2)	T_{hys}		-	15	-	
Load Capacitance	C_L	Minimal ESR to insure stability of regulated output	-	4.7	-	μ F
Reverse Leakage Output Current	$I_{Ikg(REV)}$	Tested for grounded input AUX33, VSB50 or VCC50 = GND, Out33 = 3.3V	-	-	50	μ A
Threshold Voltage, Low	V_{LO}	VSB50 or VCC50	3.85	4.05	4.25	V
Threshold Voltage, High	V_{HI}	VSB50 or VCC50	4.1	4.3	4.5	V
Auxiliary Switch Resistance	$R_{(SWITCH)}$	VSB50 = VCC50 = 0V, AUX33 = 3.3V, $I_L = 150\text{mA}$	-	-	0.4	Ω
Thermal Impedance, Junction-to-Ambient (Note 3)	$R_{\theta JA}$	Without copper for heat spreading	-	100	-	/W
		With copper for heat spreading	-	70	-	

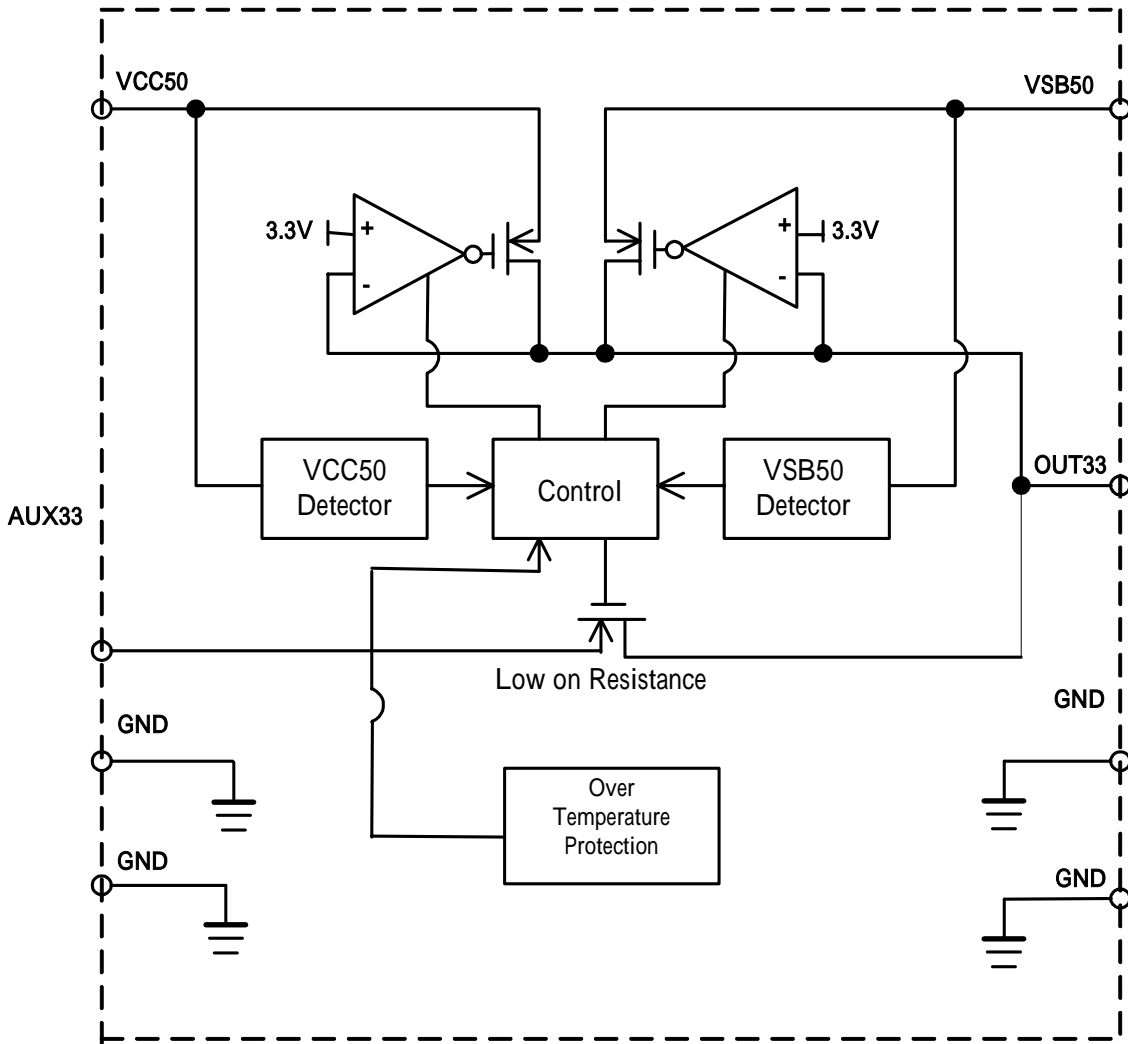
– 台灣類比科技股份有限公司 –
– Advanced Analog Technology, Inc. –



Note 2 : Design targets only. Not tested in production.

Note 3 : Please refer to "Thermal Information"

Block Diagram





Typical Characteristics

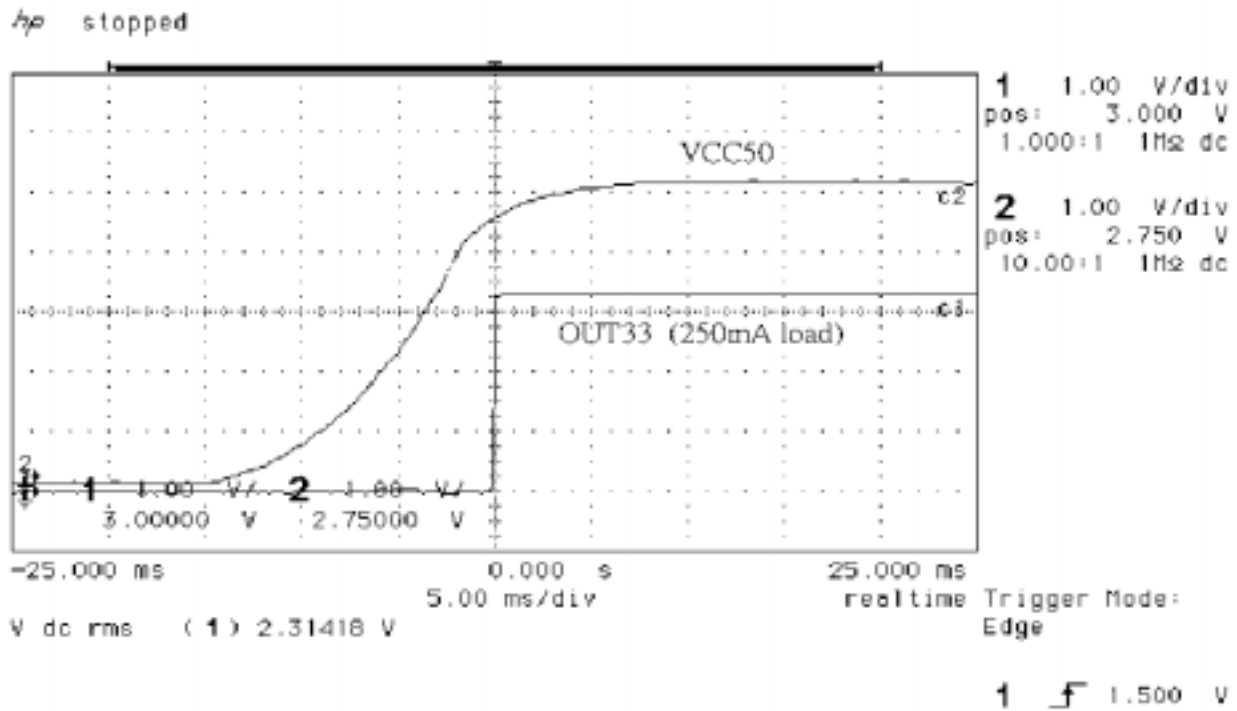


Fig. 1. 3.3V VCC50 Cold Start

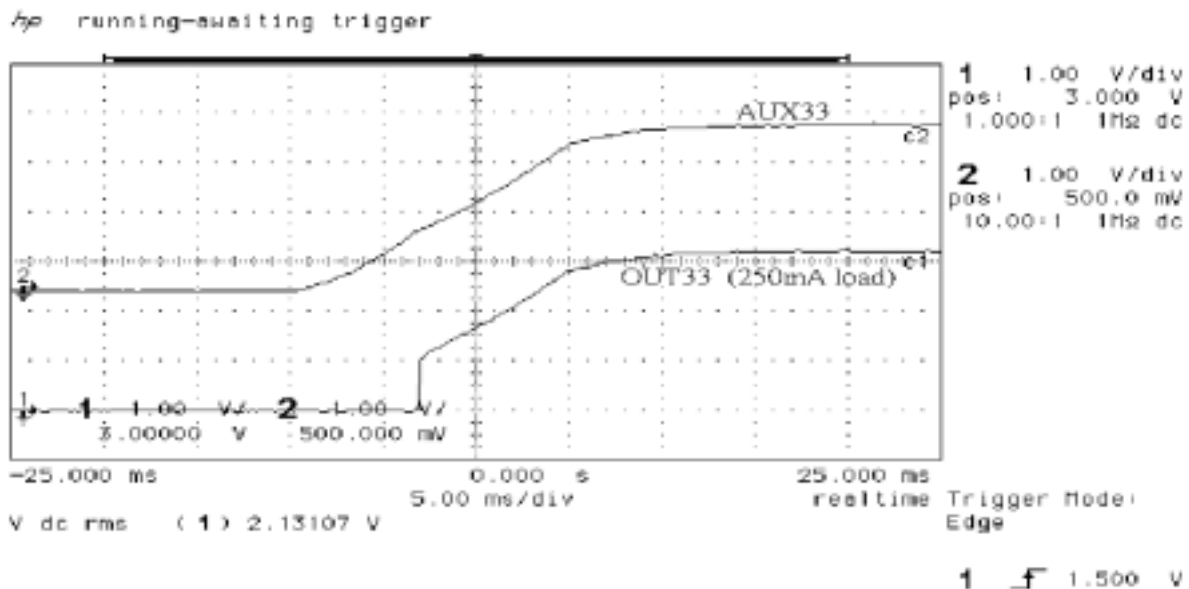


Fig. 2. 3.3V VUX33 Cold Start

– 台灣類比科技股份有限公司 –
 – Advanced Analog Technology, Inc. –



Typical Characteristics

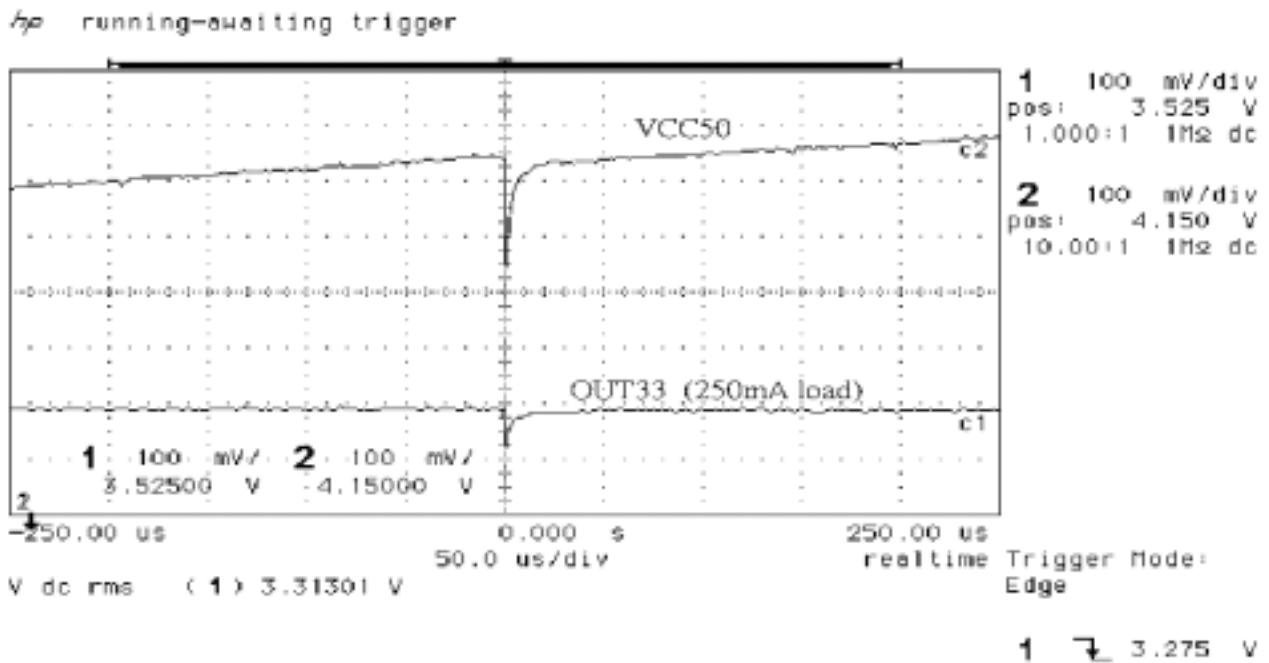


Fig. 3. 3.3V VCC50 Power Up (VSB50=5V)

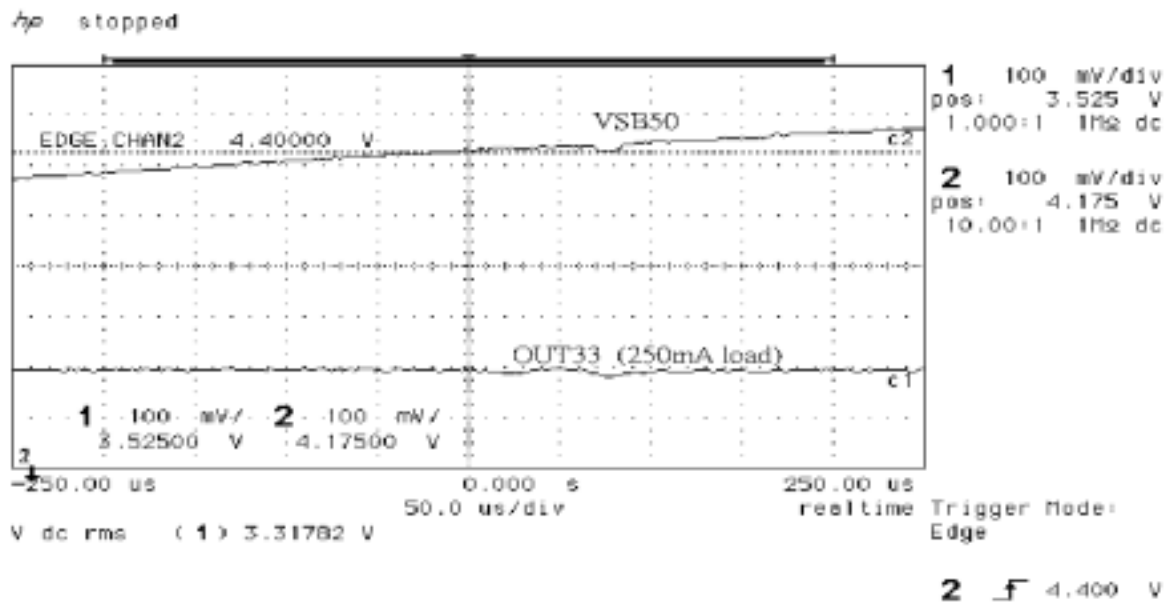


Fig. 4. 3.3V VCC50 Power Up (AUX33=3.3V)



Typical Characteristics

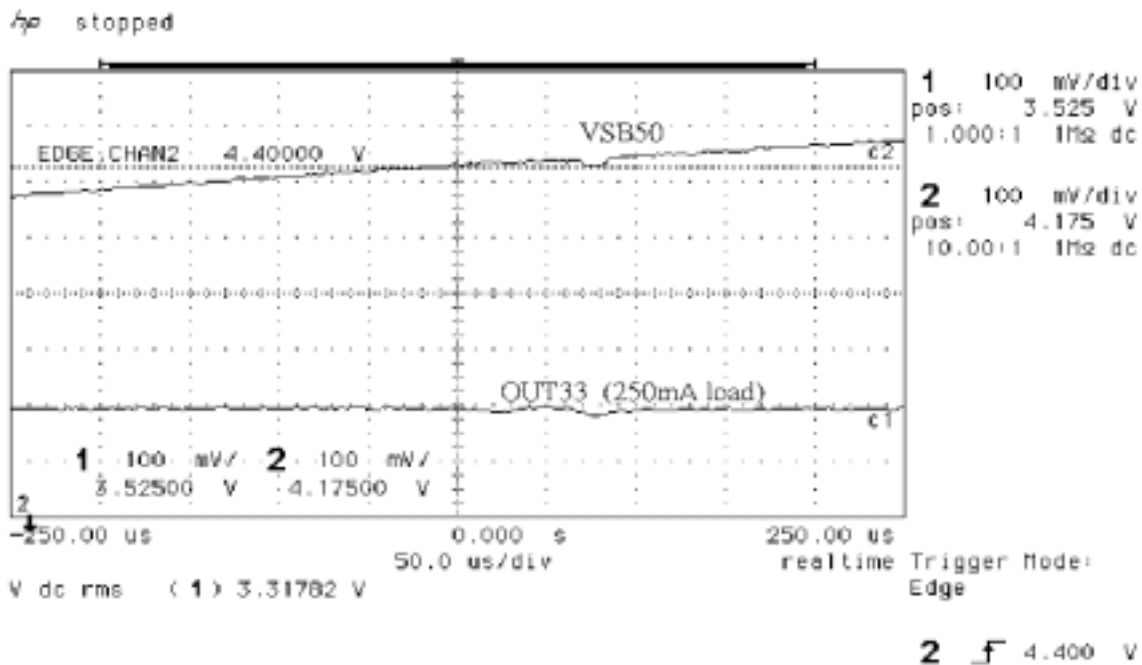


Fig. 5. 3.3V VSB50 Power Up (AUX33=3.3V)

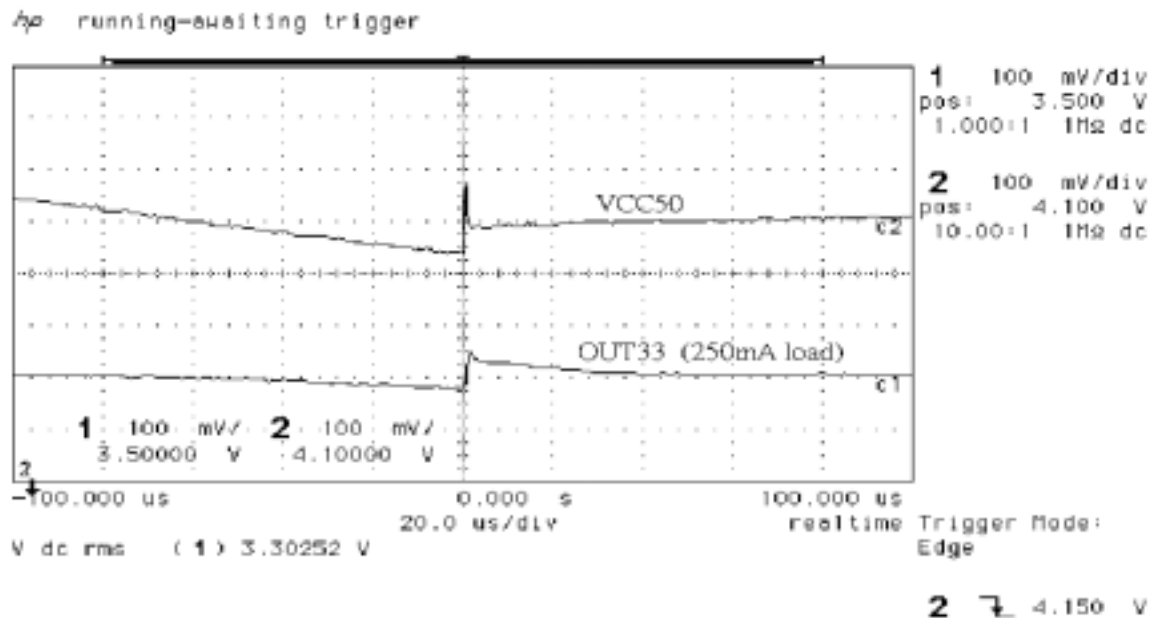


Fig. 6. 3.3V VCC50 Power Down (VSB=5V)

– 台灣類比科技股份有限公司 –
 – Advanced Analog Technology, Inc. –



Typical Characteristics

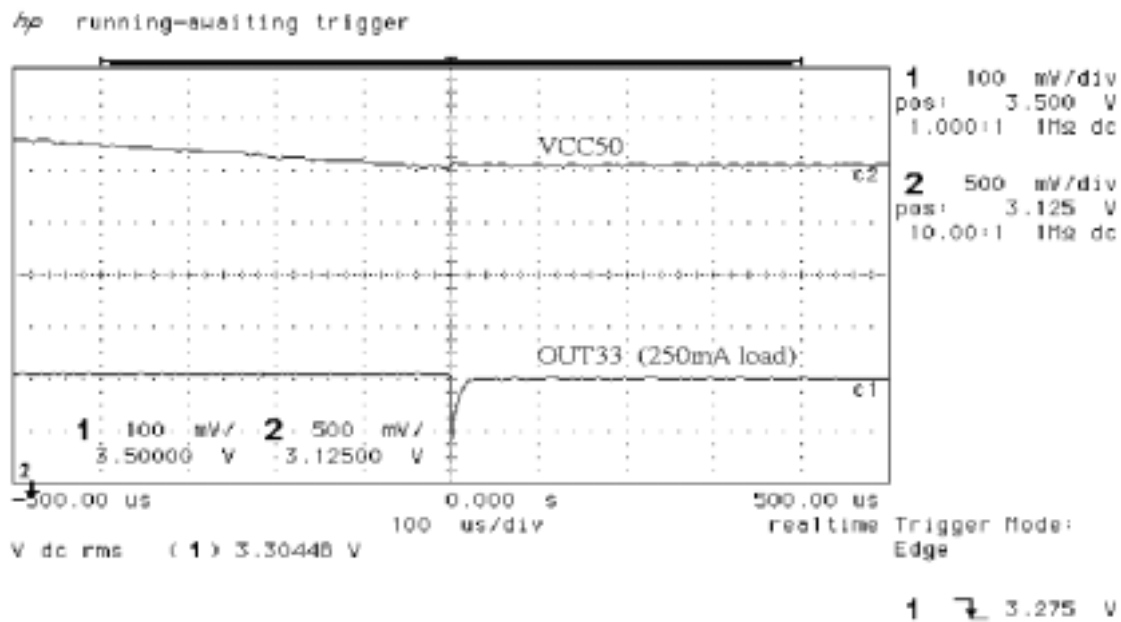


Fig. 7. 3.3V VCC50 Power Down (AUX33=3.3V)

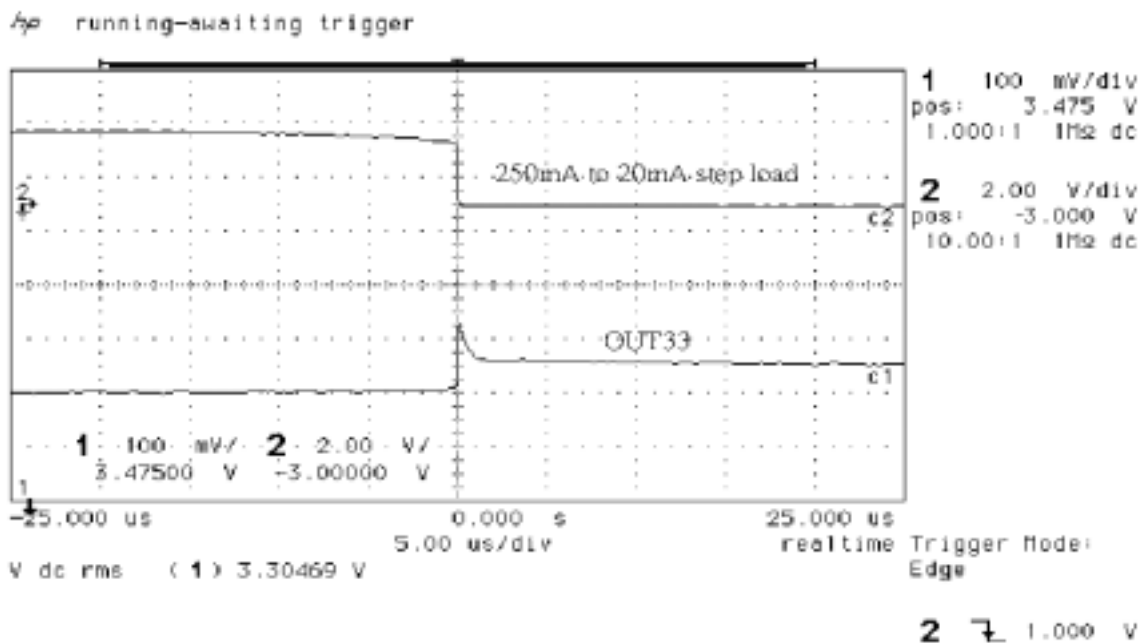


Fig. 8. 3.3V Load Transient Response Falling.

– 台灣類比科技股份有限公司 –
– Advanced Analog Technology, Inc. –



Typical Characteristics

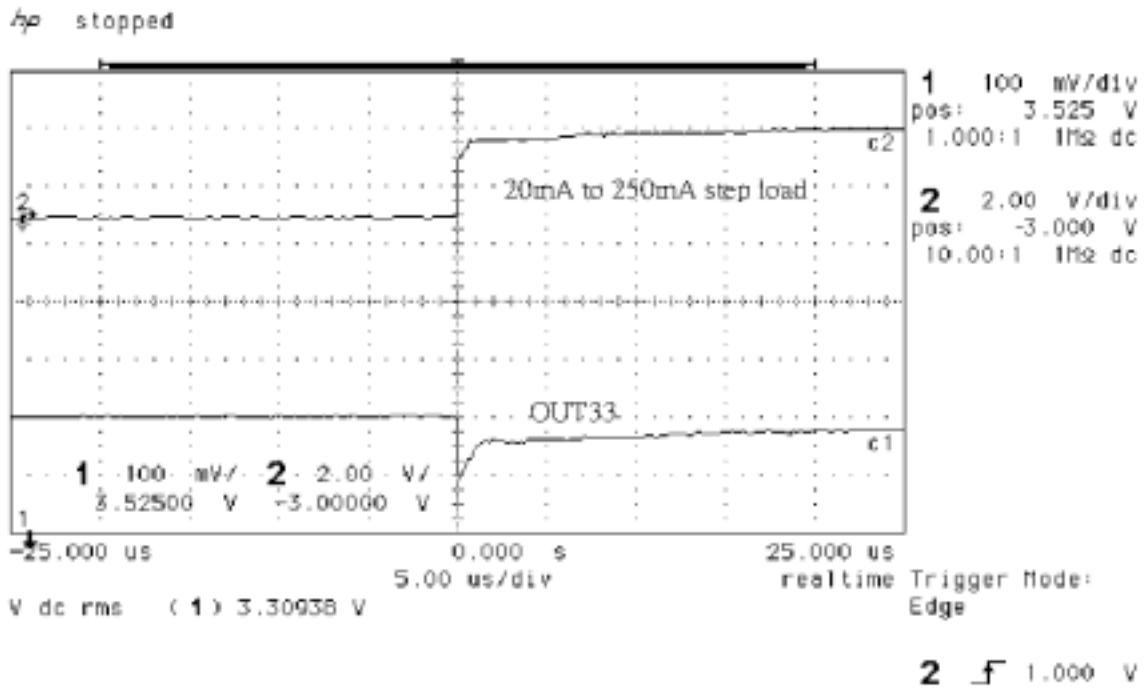


Fig. 9. 3.3V Load Transient Response Rising



Thermal Information

To ensure reliable operation of the device, the junction temperature of the output device must be within the safe operating area (SOA). This is achieved by having a means to dissipate the heat generated from the junction of the output structure. There are two components that contribute to thermal resistance. They consist of two paths in series. The first path is the junction to case thermal resistance, R_{JC} ; the second path is the case to ambient thermal resistance, R_{CA} . The overall junction to ambient thermal resistance, R_{JA} , is determined by :

$$R_{JA} = R_{JC} + R_{CA}$$

Package and board layout incorporated in the application determines the ability to efficiently dissipate the heat from the junction. The operating junction temperature is determined by the operation ambient temperature, T_C , and the junction power dissipation, P_J .

The junction temperature, T_J , is equal to the following thermal equation :

$$T_J = T_C + P_J (R_{JC}) + P_J (R_{CA})$$

$$T_J = T_C + P_J (R_{JA})$$

This particular application uses the 8-pin SOIC package with standard lead frame with a dedicated ground terminal. Hence, the maximum power dissipation allowable for an operating ambient temperature of 70 , and a maximum junction temperature of 150 is determined as :

$$P_J = (T_J - T_C) / R_{JA}$$

$$P_J = (150 - 70) / 70 = 1.1W$$

Worst case maximum power dissipation is determined by :

$$P_d = (5.5 - 3.135) \times 0.25 = 0.591W$$

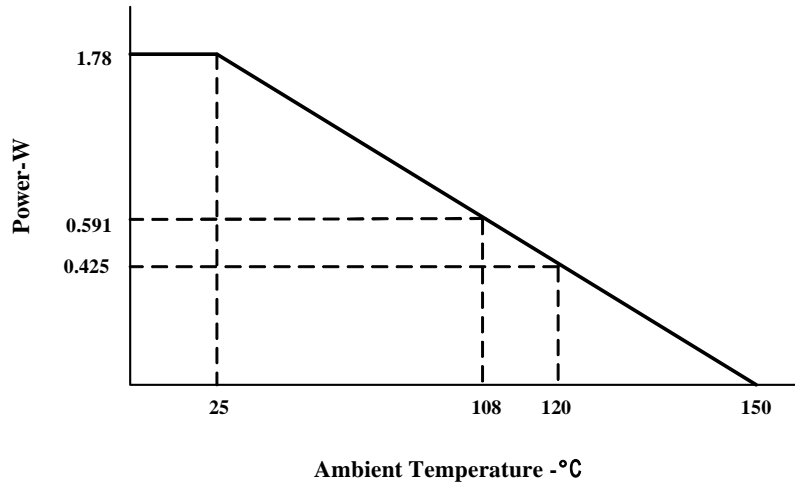
Normal operating maximum power dissipation is :

$$P_d = (5 - 3.3) \times 0.25 = 0.425W$$

Note: The thermal characteristics of the AAT1203 were measured using a double-sided board with two square inches of copper area connected to the GND pins for "heat spreading". The use of multi-layer board construction with power planes will further enhance the thermal performance of the package.



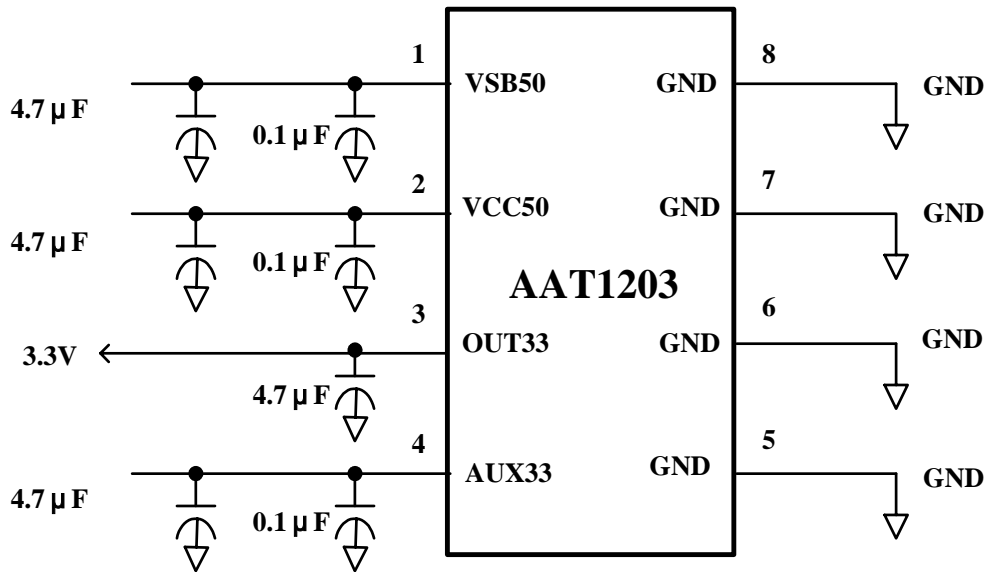
Thermal Information (Cont.)



NOTE: These curves are to be used for guideline purposes only. For a particular application, a more specific thermal characterization is required.

Power Dissipation Derating Curves

Application Information

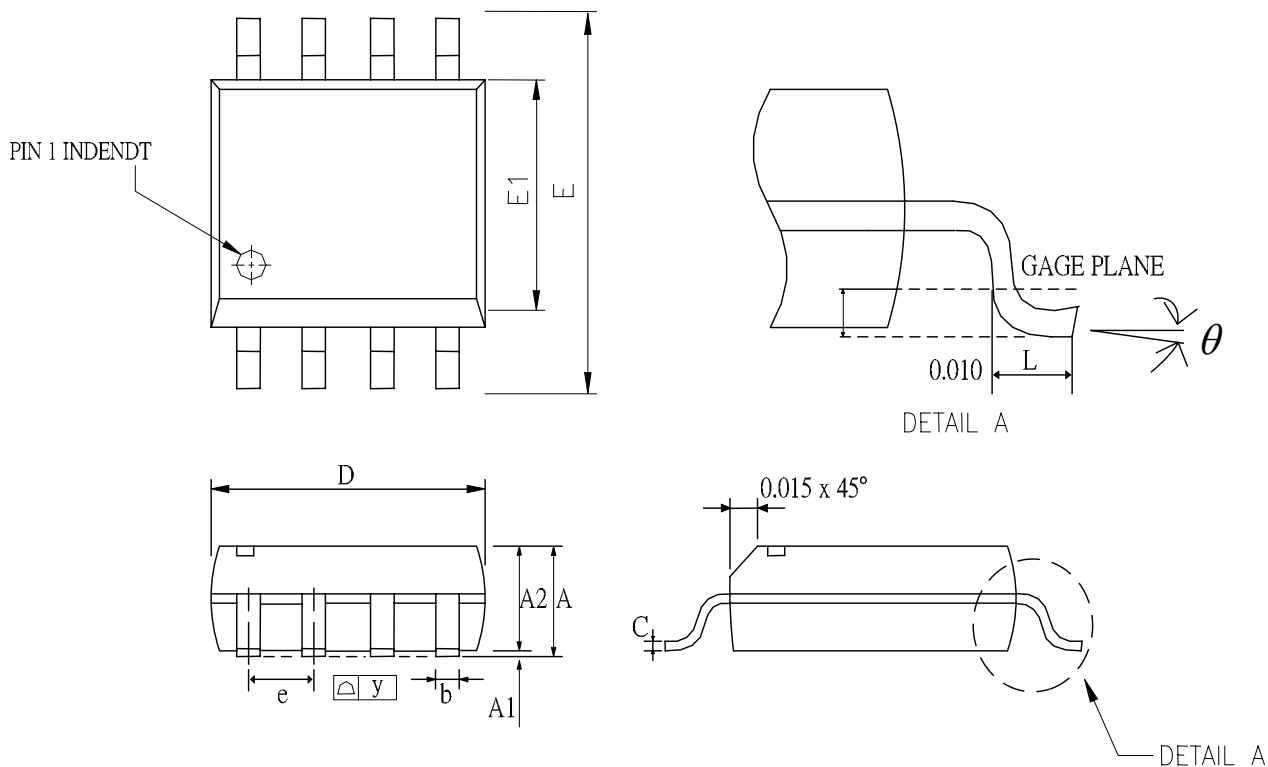


– 台灣類比科技股份有限公司 –
 – Advanced Analog Technology, Inc. –



Package Dimension

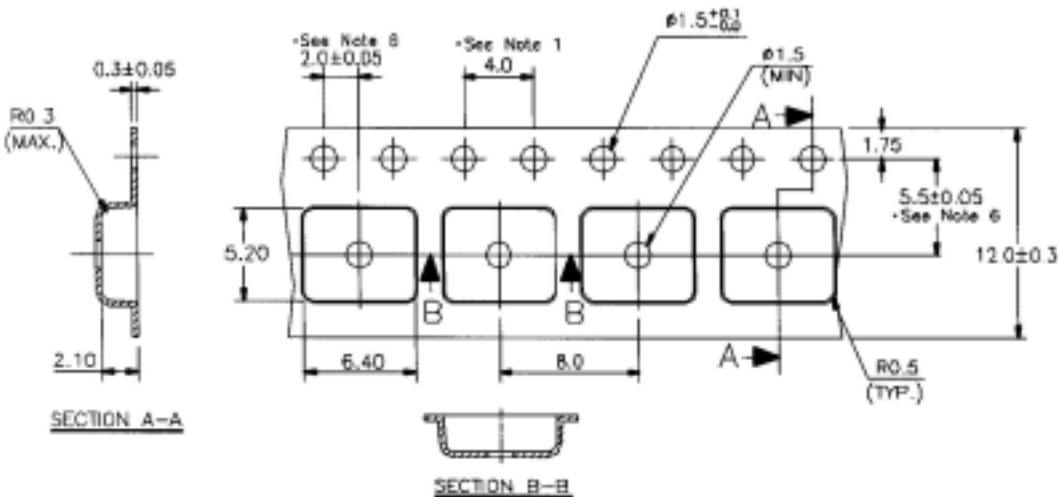
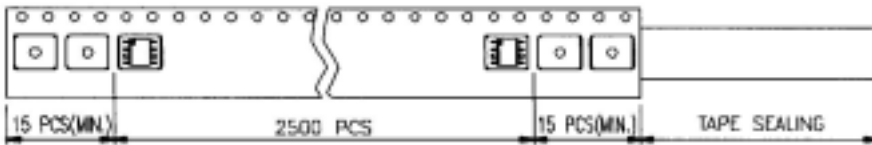
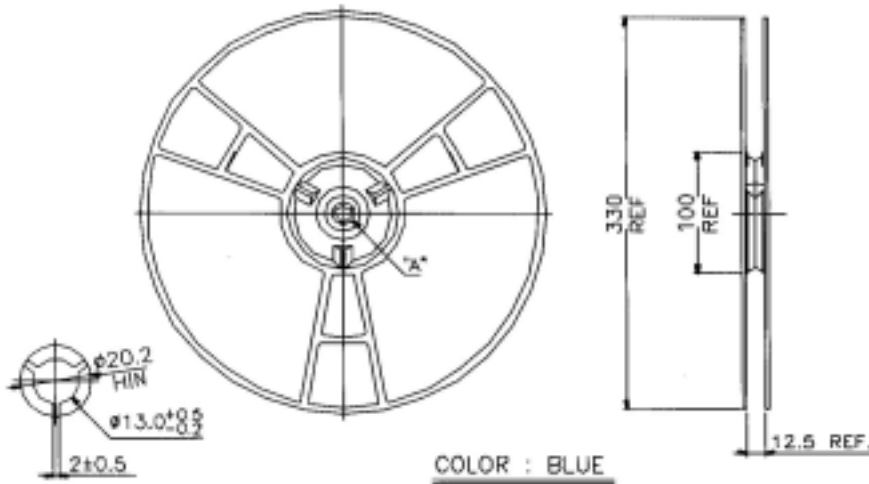
8-Pin SOP



SYMBOLS	DIMENSIONS IN MILLIMETERS			DEMINSIONS IN INCHES		
	MIN	TYP	MAX	MIN	TYP	MAX
A	1.47	1.60	1.73	0.058	0.063	0.068
A1	0.10	---	0.22	0.004	---	0.008
A2	---	1.45	---	---	0.057	---
b	0.33	0.41	0.51	0.013	0.016	0.020
C	0.19	0.20	0.25	0.0075	0.008	0.0098
D	4.80	4.85	4.95	0.189	0.191	0.195
E	5.80	6.00	6.20	0.228	0.236	0.244
E1	3.80	3.90	4.00	0.150	0.154	0.157
e	---	1.27	---	---	0.050	---
L	0.38	0.71	1.27	0.015	0.028	0.050
y	---	---	0.076	---	---	0
theta	0	---	0	0	---	0



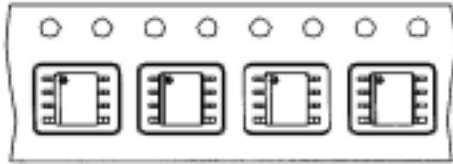
Tape and Reel
8-Pin SOP





Tape and Reel

8-Pin SOP (Cont.)



SOP 8N(150mil)

NOTE:

1. 10 SPROCKET HOLE PITCH CUMULATIVE TOLERANCE ± 0.2 MILLIMETERS.
2. CAMBER NOT TO EXCEED 1 MILLIMETER IN 100 MILLIMETERS
3. MATERIAL: ANTI-STATIC BLACK ADVANTEK POLYSTYRENE.
4. A_0 AND B_0 ARE MEASURED ON A PLANE 0.3 MILLIMETERS ABOVE THE BOTTOM OF THE POCKET.
5. K_0 IS MEASURED FROM A PLANE ON THE INSIDE BOTTOM OF THE POCKET TO THE TOP SURFACE OF THE CARRIER.
6. POCKET POSITION RELATIVE TO SPROCKET HOLE IS MEASURED AS TRUE POSITION OF POCKET, NOT POCKET HOLE.

Part Marking

SOP8 Top Marking

AAT1203
XXXXXX

SOP8 Back Marking

YYWW



Ordering Information

AAT xxxxx-xx-x

AAT Part Number

Package Code 1
8-Pin SOP: S

Package Code 2
T=Taping Reel
Blank=Tube or Tray

Remark:
T=Taping Reel
PS. 8-Pin SOP→2,500pcs/reel

Blank=Tube
PS. 8-Pin SOP→98pcs/tube