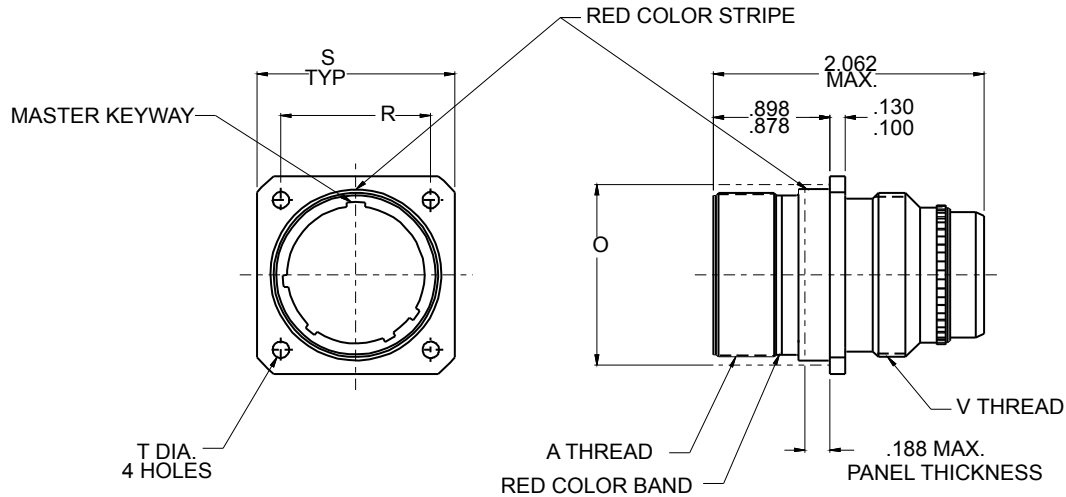


HOW TO ORDER:

GLENAIR P/N: 900-010 NF 25 - 1 P 1
 MILITARY P/N: M28840/10 A G 1 P 1

BASIC PART NUMBER
 CLASS CODE (SEE MIL-C-28840)
 SHELL SIZE (TABLE I)

KEY POSITION (SEE MIL-C-28840)
 CONTACT STYLE (SEE MIL-C-28840)
 INSERT ARRANGEMENT (SEE MIL-C-28840)


NOTES:

- INTERPRET PER MIL-STD-100.
- SEE MIL-C-28840 FOR ADDITIONAL DESIGN DETAILS.

3 GLENAIR NF = CLASS A
 GLENAIR ZU = CLASS B

TABLE I: CONNECTOR DIMENSIONS

MILITARY SHELL SIZE	SHELL SIZE	A THREAD CLASS 2A	V THREAD CLASS 2A	O REF. MTG. HOLE	R T.P. C _T TO C _L	S ±.020 (0.5)	T DIA. ±.008 (0.2)
A	11	.750-.1P-.2L-D.S.	.750-20 UNEF	.812 (20.6)	.750 (19.1)	1.023 (26.0)	.123 (3.1)
B	13	.875-.1P-.2L-D.S.	.875-20 UNEF	.937 (23.8)	.843 (21.4)	1.138 (28.9)	.123 (3.1)
C	15	1.062-.1P-.2L-D.S.	1.000-20 UNEF	1.124 (28.5)	.968 (24.6)	1.258 (32.0)	.123 (3.1)
D	17	1.125-.1P-.2L-D.S.	1.125-18 UNEF	1.187 (30.1)	1.015 (25.8)	1.383 (35.1)	.123 (3.1)
E	19	1.312-.1P-.2L-D.S.	1.250-18 UNEF	1.374 (34.9)	1.140 (29.0)	1.508 (38.3)	.123 (3.1)
F	23	1.500-.1P-.2L-D.S.	1.437-18 UNEF	1.562 (39.7)	1.281 (32.5)	1.718 (43.6)	.123 (3.1)
G	25	1.625-.1P-.2L-D.S.	1.562-18 UNEF	1.687 (42.8)	1.392 (35.4)	1.818 (46.2)	.150 (3.8)
H	29	1.812-.1P-.2L-D.S.	1.875-16 UN	1.874 (47.6)	1.568 (39.8)	2.138 (54.3)	.150 (3.8)
J	33	2.000-.1P-.2L-D.S.	2.062-16 UNS	2.062 (52.4)	1.734 (44.0)	2.328 (59.1)	.176 (4.5)