

OVERVIEW

The SM5006 series are crystal oscillator module ICs, that incorporate high-frequency, low current consumption oscillator and output buffer circuits. Highly accurate thin-film feedback resistors and high-frequency capacitors are built-in, eliminating the need for external components to make a stable 3rd overtone oscillator.

FEATURES

- Up to 107MHz operation
- Capacitors C_G , C_D built-in
- Inverter amplifier feedback resistor built-in
- TTL input level
- 16mA ($V_{DD} = 4.5V$) drive capability
- 4mA ($V_{DD} = 4.5V$) drive capability (5006AH×)
- Output three-state function
- 2.7 to 5.5V supply voltage
- Oscillator frequency output
- 8-pin SOP (SM5006×××S)
- Chip form (CF5006×××)

SERIES CONFIGURATION

Version ^{*1}	gm ratio	3V operating		5V operating			Built-in capacitance		R_f [kΩ]	Input level	Output duty level
		Output load (max) [pF]	Recommended operating frequency range ^{*2} [MHz]	Output load (max) [pF]	Recommended operating frequency range ^{*2} [MHz]	Output waveform ^{*3} t_r / t_f [ns]	C_G [pF]	C_D [pF]			
SM5006ANAS	0.5	—	—	50	22 to 30	8/8	8	16	8.2	TTL	CMOS
SM5006ANBS	1	—	—	50	30 to 40	8/8	8	16	5.6	TTL	CMOS
SM5006ANCS	2	15	22 to 30	50	40 to 60	7/7	8	16	4.9	TTL	CMOS
SM5006ANDS	2	15	30 to 50	50	50 to 70	7/7	8	16	2.6	TTL	CMOS
SM5006ANES	3	15	50 to 70	30 (15) ^{*4}	70 to 100	6/6	8	16	2.6	TTL	CMOS
SM5006ANFS	4	—	—	30 (15) ^{*4}	80 to 107	6/6	8	16	2.6	TTL	CMOS
SM5006CNCS	2	15	22 to 30	15 50	40 to 60 40 to 50	8/8	8	16	4.9	TTL	CMOS
SM5006CNDS	2	15	30 to 40	15	50 to 70	8/8	8	16	2.6	TTL	CMOS
SM5006CNES	3	15	50 to 70	15	70 to 100	7/7	8	16	2.6	TTL	CMOS
SM5006BNCS	2	15	22 to 70	15 50	22 to 100 22 to 70	7/7	8	16	No	TTL	CMOS
SM5006BNES	3	15	22 to 70	30 (15) ^{*4}	70 to 107	6/6	8	16	No	TTL	CMOS
SM5006DNCS	2	15	22 to 40	15 50	22 to 70 22 to 50	8/8	8	16	No	TTL	CMOS
SM5006DNES	3	15	22 to 70	15 50	22 to 100 22 to 70	7/7	8	16	No	TTL	CMOS
SM5006AKAS	0.5	—	—	15	22 to 30	4/4	8	16	8.2	TTL	TTL
SM5006AKBS	1	—	—	15	30 to 40	4/4	8	16	5.6	TTL	TTL
SM5006AKCS	2	—	—	15	40 to 60	4/4	8	16	4.9	TTL	TTL
SM5006AKDS	2	—	—	15	50 to 70	4/4	8	16	2.6	TTL	TTL
SM5006CKDS	2	—	—	15	50 to 70	4/4	8	16	2.6	TTL	TTL
SM5006BKCS	2	—	—	15	22 to 70	4/4	8	16	No	TTL	TTL
SM5006DKCS	2	—	—	15	22 to 70	4/4	8	16	No	TTL	TTL
SM5006AHAS	0.5	—	—	15	22 to 30	7/7	8	16	8.2	TTL	CMOS
SM5006AHBS	1	—	—	15	30 to 40	7/7	8	16	5.6	TTL	CMOS
SM5006AHCS	2	—	—	15	40 to 60	7/7	8	16	4.9	TTL	CMOS
SM5006AHDS	2	—	—	15	50 to 70	7/7	8	16	2.6	TTL	CMOS

*1. Chip form devices have designation CF5006×××.

*2. The recommended operating frequency is a yardstick value derived from the crystal used for NPC characteristics authentication. However, the oscillator frequency band is not guaranteed. Specifically, the characteristics can vary greatly due to crystal characteristics and mounting conditions, so the oscillation characteristics of components must be carefully evaluated.

*3. 5006×N×: $C_L = 50pF$, CMOS load, 5006×K×: $C_L = 15pF$, 10TTL load, 5006AH×: $C_L = 15pF$, CMOS load

*4. SOP package only

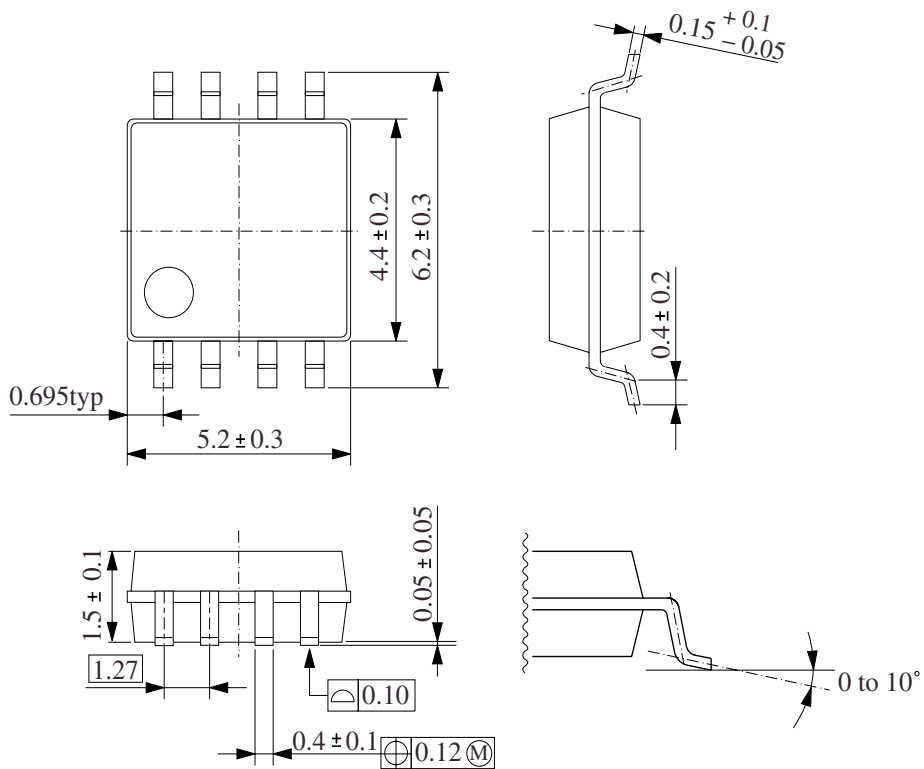
ORDERING INFORMATION

Device	Package
SM5006×××S	8-pin SOP
CF5006×××-1	Chip form

PACKAGE DIMENSIONS

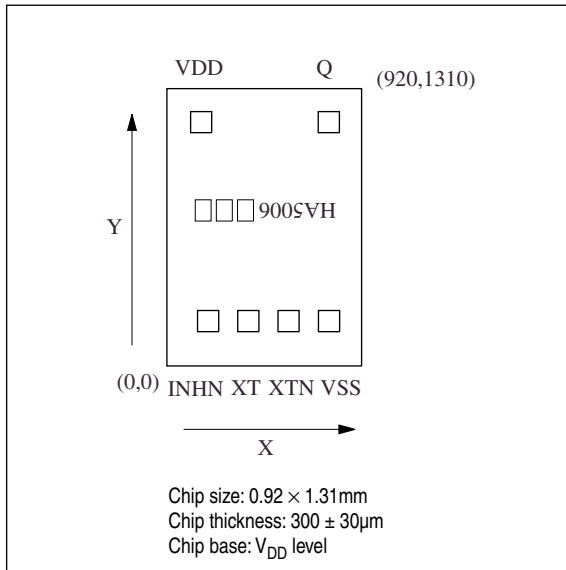
(Unit: mm)

- 8-pin SOP



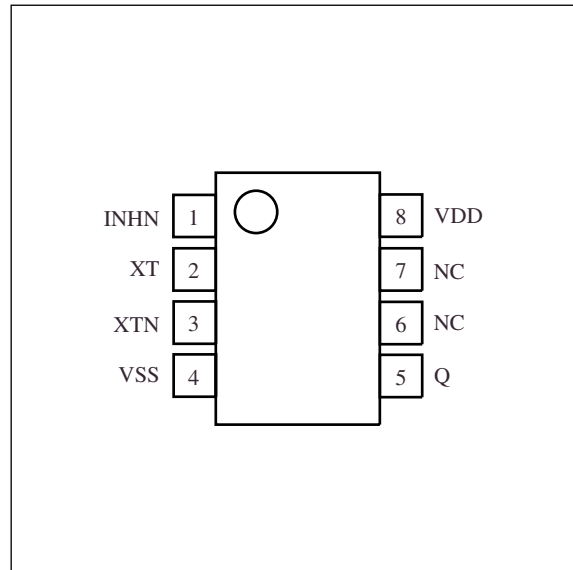
PAD LAYOUT

(Unit: μm)



PINOUT

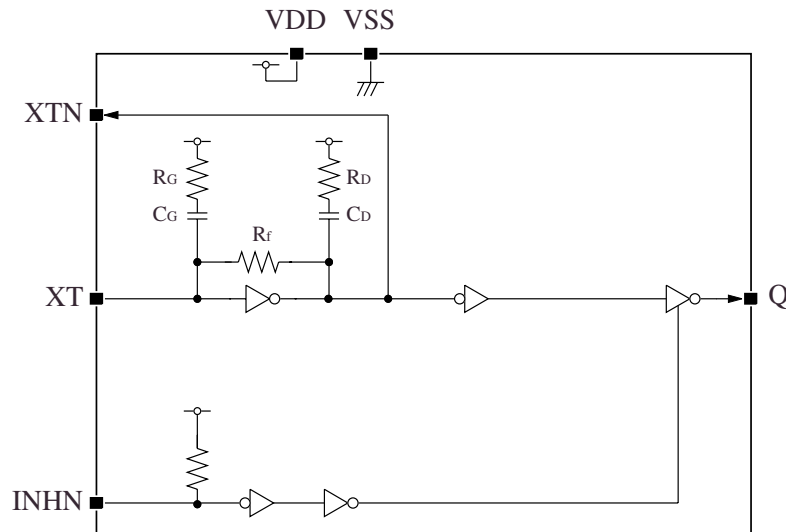
(Top view)



PIN DESCRIPTION and PAD DIMENSIONS

Number	Name	I/O	Description	Pad dimensions [μm]	
				X	Y
1	INHN	I	Output state control input. High impedance when LOW. Pull-up resistor built in	195	212
2	XT	I	Amplifier input.	385	212
3	XTN	O	Amplifier output.		
			Crystal oscillator connection pins. Crystal oscillator connected between XT and XTN	575	212
4	VSS	-	Ground	766	212
5	Q	O	Output. Output frequency (f_0)	765	1152
6	NC	-	No connection	-	-
7	NC	-	No connection	-	-
8	VDD	-	Supply voltage	162	1152

BLOCK DIAGRAM



SPECIFICATIONS

Absolute Maximum Ratings

$V_{SS} = 0V$

Parameter	Symbol	Condition	Rating	Unit
Supply voltage range	V_{DD}		-0.5 to 7.0	V
Input voltage range	V_{IN}		-0.5 to $V_{DD} + 0.5$	V
Output voltage range	V_{OUT}		-0.5 to $V_{DD} + 0.5$	V
Operating temperature range	T_{opr}		-40 to 85	°C
Storage temperature range	T_{stg}	Chip form	-65 to 150	°C
		8-pin SOP	-55 to 125	
Output current	I_{OUT}	5006×N×, ×K×	25	mA
		5006AH×	10	
Power dissipation	P_D	8-pin SOP	500	mW

Recommended Operating Conditions

SM5006 series (package form)

$V_{SS} = 0V$

Parameter	Symbol	Series	Condition	Rating			Unit
				min	typ	max	
Supply voltage	V_{DD}	ANA, ANB, CNC, CND, DNC	$f \leq 50\text{MHz}, C_L = 50\text{pF}$	4.5	-	5.5	V
			$f \leq 70\text{MHz}, C_L = 15\text{pF}$	4.5	-	5.5	
			$f \leq 40\text{MHz}, C_L = 15\text{pF}$	2.7	-	3.6	
		ANC, AND, BNC, CNE, DNE	$f \leq 70\text{MHz}, C_L = 50\text{pF}$	4.5	-	5.5	V
			$f \leq 100\text{MHz}, C_L = 15\text{pF}$	4.5	-	5.5	
			$f \leq 50\text{MHz}, C_L = 15\text{pF}$	2.7	-	3.6	
		ANE, ANF, BNE	$f \leq 70\text{MHz}, C_L = 15\text{pF}$	3.0	-	3.6	V
			$f \leq 100\text{MHz}, C_L = 15\text{pF}$	4.5	-	5.5	
			$f \leq 107\text{MHz}, C_L = 15\text{pF}$	4.5	-	5.5	
			$f \leq 50\text{MHz}, C_L = 15\text{pF}$	2.7	-	3.6	
		AKA, AKB, AKC, CKD, DKC	$f \leq 70\text{MHz}, C_L = 15\text{pF}$	4.5	-	5.5	V
			AKD, BKC	$f \leq 70\text{MHz}, C_L = 15\text{pF}$	4.5	-	5.5
		AHA, AHB, AHC, AHD	$f \leq 70\text{MHz}, C_L = 15\text{pF}$	4.5	-	5.5	V
		Input voltage	V_{IN}	All series		V_{SS}	-
Operating temperature	T_{OPR}	ANA, ANB, CNC, CND, DNC	$f \leq 50\text{MHz}, C_L = 50\text{pF}, 4.5 \leq V_{DD} \leq 5.5$	-40	-	+85	°C
			$f \leq 70\text{MHz}, C_L = 15\text{pF}, 4.5 \leq V_{DD} \leq 5.5$	0	-	+70	
			$f \leq 40\text{MHz}, C_L = 15\text{pF}, 2.7 \leq V_{DD} \leq 3.6$	-10	-	+70	
		ANC, AND, BNC, CNE, DNE	$f \leq 50\text{MHz}, C_L = 50\text{pF}, 4.5 \leq V_{DD} \leq 5.5$	-40	-	+80	°C
			$f \leq 70\text{MHz}, C_L = 50\text{pF}, 4.5 \leq V_{DD} \leq 5.5$	-20	-	+80	
			$f \leq 70\text{MHz}, C_L = 15\text{pF}, 4.5 \leq V_{DD} \leq 5.5$	-40	-	+85	
			$f \leq 100\text{MHz}, C_L = 15\text{pF}, 4.5 \leq V_{DD} \leq 5.5$	0	-	+70	
			$f \leq 50\text{MHz}, C_L = 15\text{pF}, 2.7 \leq V_{DD} \leq 3.6$	-20	-	+80	
			$f \leq 70\text{MHz}, C_L = 15\text{pF}, 3.0 \leq V_{DD} \leq 3.6$	-20	-	+80	
		ANE, ANF, BNE	$f \leq 70\text{MHz}, C_L = 50\text{pF}, 4.5 \leq V_{DD} \leq 5.5$	-20	-	+80	°C
			$f \leq 100\text{MHz}, C_L = 15\text{pF}, 4.5 \leq V_{DD} \leq 5.5$	-40	-	+85	
			$f \leq 107\text{MHz}, C_L = 15\text{pF}, 4.5 \leq V_{DD} \leq 5.5$	-20	-	+80	
			$f \leq 50\text{MHz}, C_L = 15\text{pF}, 2.7 \leq V_{DD} \leq 3.6$	-20	-	+80	
			$f \leq 70\text{MHz}, C_L = 15\text{pF}, 3.0 \leq V_{DD} \leq 3.6$	-20	-	+80	
		AKA, AKB, AKC, CKD, DKC	$f \leq 50\text{MHz}, C_L = 15\text{pF}, 4.5 \leq V_{DD} \leq 5.5$	-40	-	+85	°C
			$f \leq 70\text{MHz}, C_L = 15\text{pF}, 4.5 \leq V_{DD} \leq 5.5$	0	-	+70	
		AKD, BKC	$f \leq 50\text{MHz}, C_L = 15\text{pF}, 4.5 \leq V_{DD} \leq 5.5$	-40	-	+85	°C
			$f \leq 70\text{MHz}, C_L = 15\text{pF}, 4.5 \leq V_{DD} \leq 5.5$	-20	-	+80	
		AHA, AHB, AHC, AHD	$f \leq 50\text{MHz}, C_L = 15\text{pF}, 4.5 \leq V_{DD} \leq 5.5$	-40	-	+85	°C
			$f \leq 70\text{MHz}, C_L = 15\text{pF}, 4.5 \leq V_{DD} \leq 5.5$	-15	-	+75	

SM5006 series

CF5006 series (chip form)

$V_{SS} = 0V$

Parameter	Symbol	Series	Condition	Rating			Unit
				min	typ	max	
Supply voltage	V_{DD}	ANA, ANB, CNC, CND, DNC	$f \leq 50\text{MHz}, C_L = 50\text{pF}$	4.5	-	5.5	V
			$f \leq 70\text{MHz}, C_L = 15\text{pF}$	4.5	-	5.5	
			$f \leq 40\text{MHz}, C_L = 15\text{pF}$	2.7	-	3.6	
		ANC, AND, BNC, CNE, DNE	$f \leq 70\text{MHz}, C_L = 50\text{pF}$	4.5	-	5.5	V
			$f \leq 100\text{MHz}, C_L = 15\text{pF}$	4.5	-	5.5	
			$f \leq 50\text{MHz}, C_L = 15\text{pF}$	2.7	-	3.6	
			$f \leq 70\text{MHz}, C_L = 15\text{pF}$	3.0	-	3.6	
		ANE, ANF, BNE	$f \leq 70\text{MHz}, C_L = 50\text{pF}$	4.5	-	5.5	V
			$f \leq 107\text{MHz}, C_L = 30\text{pF}$	4.5	-	5.5	
			$f \leq 50\text{MHz}, C_L = 15\text{pF}$	2.7	-	3.6	
			$f \leq 70\text{MHz}, C_L = 15\text{pF}$	3.0	-	3.6	
		AKA, AKB, AKC, CKD, DKC	$f \leq 70\text{MHz}, C_L = 15\text{pF}$	4.5	-	5.5	V
		AKD, BKC	$f \leq 70\text{MHz}, C_L = 15\text{pF}$	4.5	-	5.5	V
		AHA, AHB, AHC, AHD	$f \leq 70\text{MHz}, C_L = 15\text{pF}$	4.5	-	5.5	V
Input voltage	V_{IN}	All series		V_{SS}	-	V_{DD}	V
Operating temperature	T_{OPR}	ANA, ANB, CNC, CND, DNC	$f \leq 50\text{MHz}, C_L = 50\text{pF}, 4.5 \leq V_{DD} \leq 5.5$	-40	-	+85	°C
			$f \leq 70\text{MHz}, C_L = 15\text{pF}, 4.5 \leq V_{DD} \leq 5.5$	-15	-	+75	
			$f \leq 40\text{MHz}, C_L = 15\text{pF}, 2.7 \leq V_{DD} \leq 3.6$	-10	-	+70	
		ANC, AND, BNC, CNE, DNE	$f \leq 70\text{MHz}, C_L = 50\text{pF}, 4.5 \leq V_{DD} \leq 5.5$	-40	-	+85	°C
			$f \leq 100\text{MHz}, C_L = 15\text{pF}, 4.5 \leq V_{DD} \leq 5.5$	-20	-	+80	
			$f \leq 50\text{MHz}, C_L = 15\text{pF}, 2.7 \leq V_{DD} \leq 3.6$	-20	-	+80	
			$f \leq 70\text{MHz}, C_L = 15\text{pF}, 3.0 \leq V_{DD} \leq 3.6$	-20	-	+80	
		ANE, ANF, BNE	$f \leq 70\text{MHz}, C_L = 50\text{pF}, 4.5 \leq V_{DD} \leq 5.5$	-40	-	+85	°C
			$f \leq 100\text{MHz}, C_L = 30\text{pF}, 4.5 \leq V_{DD} \leq 5.5$	-40	-	+85	
			$f \leq 107\text{MHz}, C_L = 30\text{pF}, 4.5 \leq V_{DD} \leq 5.5$	-20	-	+80	
			$f \leq 50\text{MHz}, C_L = 15\text{pF}, 2.7 \leq V_{DD} \leq 3.6$	-20	-	+80	
			$f \leq 70\text{MHz}, C_L = 15\text{pF}, 3.0 \leq V_{DD} \leq 3.6$	-20	-	+80	
		AKA, AKB, AKC, CKD, DKC	$f \leq 50\text{MHz}, C_L = 15\text{pF}, 4.5 \leq V_{DD} \leq 5.5$	-40	-	+85	°C
			$f \leq 70\text{MHz}, C_L = 15\text{pF}, 4.5 \leq V_{DD} \leq 5.5$	-15	-	+75	
		AKD, BKC	$f \leq 50\text{MHz}, C_L = 15\text{pF}, 4.5 \leq V_{DD} \leq 5.5$	-40	-	+85	°C
			$f \leq 70\text{MHz}, C_L = 15\text{pF}, 4.5 \leq V_{DD} \leq 5.5$	-20	-	+80	
		AHA, AHB, AHC, AHD	$f \leq 50\text{MHz}, C_L = 15\text{pF}, 4.5 \leq V_{DD} \leq 5.5$	-40	-	+85	°C
			$f \leq 70\text{MHz}, C_L = 15\text{pF}, 4.5 \leq V_{DD} \leq 5.5$	-20	-	+80	

SM5006 series

Electrical Characteristics

5006×N series

3V operation: $V_{DD} = 2.7$ to 3.6 V, $V_{SS} = 0$ V, $T_a = -20$ to 80 °C unless otherwise noted.

Parameter	Symbol	Condition	Rating			Unit	
			min	typ	max		
HIGH-level output voltage	V_{OH}	Q: Measurement cct 1, $V_{DD} = 2.7$ V, $I_{OH} = 8$ mA	2.2	2.4	–	V	
LOW-level output voltage	V_{OL}	Q: Measurement cct 2, $V_{DD} = 2.7$ V, $I_{OL} = 8$ mA	–	0.3	0.4	V	
Output leakage current	I_Z	Q: Measurement cct 2, INHN = LOW, $V_{DD} = 5.5$ V	$V_{OH} = V_{DD}$	–	–	10	μ A
			$V_{OL} = V_{SS}$	–	–	10	
HIGH-level input voltage	V_{IH}	INHN	2.0	–	–	V	
LOW-level input voltage	V_{IL}	INHN	–	–	0.5	V	
Current consumption	I_{DD}	INHN = open, Measurement cct 3, load cct 1, $V_{DD} = 3.0$ to 3.6 V, $C_L = 15$ pF	f = 30MHz SM5006ANCS CF5006ANC SM5006BNCS CF5006BNC	–	8	16	mA
			f = 30MHz, $T_a = -10$ to 70 °C SM5006CNCS CF5006CNC	–	8	16	
			f = 50MHz SM5006ANDS CF5006AND	–	13	26	
			f = 70MHz SM5006BNES CF5006BNE SM5006CNES CF5006CNE SM5006DNES CF5006DNE	–	15	30	
			f = 40MHz, $T_a = -10$ to 70 °C SM5006CNDS CF5006CND SM5006DNCS CF5006DNC	–	11	22	
			f = 70MHz SM5006ANES CF5006ANE SM5006ANFS CF5006ANF	–	20	40	
INHN pull-up resistance	R_{UP}	Measurement cct 4	50	–	150	k Ω	
Feedback resistance	R_f	Measurement cct 5	SM5006ANAS, CF5006ANA	6.97	8.2	9.43	k Ω
			SM5006ANBS, CF5006ANB	4.76	5.6	6.44	
			SM5006ANCS, CF5006ANC SM5006CNCS, CF5006CNC	4.16	4.9	5.64	
			SM5006ANDS, CF5006AND SM5006ANES, CF5006ANE SM5006ANFS, CF5006ANF SM5006CNDS, CF5006CND SM5006CNES, CF5006CNE	2.21	2.6	2.99	
Built-in resistance	R_G	Design value, determined by the R_f value	17	20	23	Ω	
	R_D	Design value, determined by the R_f value	17	20	23		
Built-in capacitance	C_G	Design value. A monitor pattern on a wafer is tested.	7.44	8	8.56	pF	
	C_D	Design value. A monitor pattern on a wafer is tested.	14.88	16	17.12		

SM5006 series

5V operation: $V_{DD} = 4.5$ to $5.5V$, $V_{SS} = 0V$, $T_a = -40$ to $85^\circ C$ unless otherwise noted.

Parameter	Symbol	Condition	Rating			Unit	
			min	typ	max		
HIGH-level output voltage	V_{OH}	Q: Measurement cct 1, $V_{DD} = 4.5V$, $I_{OH} = 16mA$	4.0	4.2	–	V	
LOW-level output voltage	V_{OL}	Q: Measurement cct 2, $V_{DD} = 4.5V$, $I_{OL} = 16mA$	–	0.3	0.4	V	
Output leakage current	I_Z	Q: Measurement cct 2, INHN = LOW, $V_{DD} = 5.5V$	$V_{OH} = V_{DD}$	–	–	10	μA
			$V_{OL} = V_{SS}$	–	–	10	
HIGH-level input voltage	V_{IH}	INHN	2.0	–	–	V	
LOW-level input voltage	V_{IL}	INHN	–	–	0.8	V	
Current consumption	I_{DD}	INHN = open, Measurement cct 3, load cct 1, $V_{DD} = 4.5$ to $5.5V$, $C_L = 50pF$	f = 30MHz SM5006ANAS CF5006ANA	–	18	35	mA
			f = 40MHz SM5006ANBS CF5006ANB	–	20	40	
			f = 60MHz CF5006ANC	–	30	60	
			f = 60MHz, $T_a = -20$ to $80^\circ C$ SM5006ANCS	–	30	50	
			f = 70MHz CF5006AND CF5006BNC	–	40	80	
			f = 70MHz, $T_a = -20$ to $80^\circ C$ SM5006ANDS SM5006BNCS	–	40	70	
		INHN = open, Measurement cct 3, load cct 1, $V_{DD} = 4.5$ to $5.5V$	f = 60MHz, $C_L = 15pF$, $T_a = -15$ to $75^\circ C$ CF5006CNC	–	28	50	
			f = 60MHz, $C_L = 15pF$, $T_a = 0$ to $70^\circ C$ SM5006CNCS	–	28	50	
			f = 70MHz, $C_L = 15pF$, $T_a = -15$ to $75^\circ C$ CF5006CND CF5006DNC	–	35	65	
			f = 70MHz, $C_L = 15pF$, $T_a = 0$ to $70^\circ C$ SM5006CNDS SM5006DNCS	–	35	65	
			f = 100MHz, $C_L = 15pF$, $T_a = -20$ to $80^\circ C$ CF5006CNE CF5006DNE	–	45	80	
			f = 100MHz, $C_L = 15pF$, $T_a = 0$ to $70^\circ C$ SM5006CNES SM5006DNES	–	45	80	
			f = 100MHz, $C_L = 30pF$ CF5006ANE	–	50	100	
			f = 100MHz, $C_L = 15pF$ SM5006ANES	–	45	90	
f = 107MHz, $C_L = 30pF$, $T_a = -20$ to $80^\circ C$ CF5006ANF CF5006BNE	–	60	100				
f = 107MHz, $C_L = 15pF$, $T_a = -20$ to $80^\circ C$ SM5006ANFS SM5006BNES	–	50	90				
INHN pull-up resistance	R_{UP}	Measurement cct 4	50	–	150	$k\Omega$	
Feedback resistance	R_f	Measurement cct 5	SM5006ANAS, CF5006ANA	6.97	8.2	9.43	$k\Omega$
			SM5006ANBS, CF5006ANB	4.76	5.6	6.44	
			SM5006ANCS, CF5006ANC SM5006CNCS, CF5006CNC	4.16	4.9	5.64	
			SM5006ANDS, CF5006AND SM5006ANES, CF5006ANE SM5006ANFS, CF5006ANF SM5006CNDS, CF5006CND SM5006CNES, CF5006CNE	2.21	2.6	2.99	
Built-in resistance	R_G	Design value, determined by the R_f value	17	20	23	Ω	
	R_D	Design value, determined by the R_f value	17	20	23		
Built-in capacitance	C_G	Design value. A monitor pattern on a wafer is tested.	7.44	8	8.56	pF	
	C_D	Design value. A monitor pattern on a wafer is tested.	14.88	16	17.12		

SM5006 series

5006×K series

$V_{DD} = 4.5$ to $5.5V$, $V_{SS} = 0V$, $T_a = -40$ to $85^{\circ}C$ unless otherwise noted.

Parameter	Symbol	Condition		Rating			Unit
				min	typ	max	
HIGH-level output voltage	V_{OH}	Q: Measurement cct 1, $V_{DD} = 4.5V$, $I_{OH} = 16mA$	SM5006AKAS, CF5006AKA SM5006AKBS, CF5006AKB SM5006AKCS, CF5006AKC SM5006CKDS, CF5006CKD SM5006DKCS, CF5006DKC	3.9	4.2	–	V
			SM5006AKDS, CF5006AKD SM5006BKCS, CF5006BKC	4.0	4.2	–	
LOW-level output voltage	V_{OL}	Q: Measurement cct 2, $V_{DD} = 4.5V$, $I_{OL} = 16mA$		–	0.3	0.4	V
Output leakage current	I_Z	Q: Measurement cct 2, INHN = LOW, $V_{DD} = 5.5V$	$V_{OH} = V_{DD}$	–	–	10	μA
			$V_{OL} = V_{SS}$	–	–	10	
HIGH-level input voltage	V_{IH}	INHN		2.0	–	–	V
LOW-level input voltage	V_{IL}	INHN		–	–	0.8	V
Current consumption	I_{DD}	INHN = open, Measurement cct 3, load cct 1, $V_{DD} = 4.5$ to $5.5V$, $C_L = 15pF$	f = 30MHz SM5006AKAS CF5006AKA	–	16	32	mA
			f = 40MHz SM5006AKBS CF5006AKB	–	18	36	
			f = 60MHz, $T_a = -15$ to $75^{\circ}C$ CF5006AKC CF5006DKC	–	25	50	
			f = 60MHz, $T_a = 0$ to $70^{\circ}C$ SM5006AKCS SM5006DKCS	–	25	50	
			f = 70MHz, $T_a = -20$ to $80^{\circ}C$ CF5006AKD CF5006BKC	–	35	70	
			f = 70MHz, $T_a = -15$ to $75^{\circ}C$ CF5006CKD	–	35	70	
			f = 70MHz, $T_a = 0$ to $70^{\circ}C$ SM5006AKDS SM5006BKCS SM5006CKDS	–	35	70	
INHN pull-up resistance	R_{UP}	Measurement cct 4		50	–	150	$k\Omega$
Feedback resistance	R_f	Measurement cct 5	SM5006AKAS, CF5006AKA	6.97	8.2	9.43	$k\Omega$
			SM5006AKBS, CF5006AKB	4.76	5.6	6.44	
			SM5006AKCS, CF5006AKC	4.16	4.9	5.64	
			SM5006AKDS, CF5006AKD SM5006CKDS, CF5006CKD	2.21	2.6	2.99	
Built-in resistance	R_G	Design value, determined by the R_f value		17	20	23	Ω
	R_D	Design value, determined by the R_f value		17	20	23	
Built-in capacitance	C_G	Design value. A monitor pattern on a wafer is tested.		7.44	8	8.56	pF
	C_D	Design value. A monitor pattern on a wafer is tested.		14.88	16	17.12	

SM5006 series

5006AH series

$V_{DD} = 4.5$ to $5.5V$, $V_{SS} = 0V$, $T_a = -40$ to $85^{\circ}C$ unless otherwise noted.

Parameter	Symbol	Condition		Rating			Unit
				min	typ	max	
HIGH-level output voltage	V_{OH}	Q: Measurement cct 1, $V_{DD} = 4.5V$, $I_{OH} = 4mA$		3.9	4.2	–	V
LOW-level output voltage	V_{OL}	Q: Measurement cct 2, $V_{DD} = 4.5V$, $I_{OL} = 4mA$		–	0.3	0.5	V
Output leakage current	I_Z	Q: Measurement cct 2, INHN = LOW, $V_{DD} = 5.5V$	$V_{OH} = V_{DD}$	–	–	10	μA
			$V_{OL} = V_{SS}$	–	–	10	
HIGH-level input voltage	V_{IH}	INHN		2.0	–	–	V
LOW-level input voltage	V_{IL}	INHN		–	–	0.8	V
Current consumption	I_{DD}	INHN = open, Measurement cct 3, load cct 1, $V_{DD} = 4.5$ to $5.5V$, $C_L = 15pF$	$f = 30MHz$ SM5006AHAS CF5006AHA	–	15	30	mA
			$f = 40MHz$ SM5006AHBS CF5006AHB	–	18	36	
			$f = 60MHz$, $T_a = -20$ to $80^{\circ}C$ CF5006AHC	–	25	50	
			$f = 60MHz$, $T_a = -15$ to $75^{\circ}C$ SM5006AHCS	–	25	50	
			$f = 70MHz$, $T_a = -20$ to $80^{\circ}C$ CF5006AHD	–	32	65	
			$f = 70MHz$, $T_a = -15$ to $75^{\circ}C$ SM5006AHDS	–	32	65	
INHN pull-up resistance	R_{UP}	Measurement cct 4		50	–	150	$k\Omega$
Feedback resistance	R_f	Measurement cct 5	SM5006AHAS, CF5006AHA	6.97	8.2	9.43	$k\Omega$
			SM5006AHBS, CF5006AHB	4.76	5.6	6.44	
			SM5006AHCS, CF5006AHC	4.16	4.9	5.64	
			SM5006AHDS, CF5006AHD	2.21	2.6	2.99	
Built-in resistance	R_G	Design value, determined by the R_f value		17	20	23	Ω
	R_D	Design value, determined by the R_f value		17	20	23	
Built-in capacitance	C_G	Design value. A monitor pattern on a wafer is tested.		7.44	8	8.56	pF
	C_D	Design value. A monitor pattern on a wafer is tested.		14.88	16	17.12	

SM5006 series

Switching Characteristics

5006×N series

3V operation: $V_{DD} = 2.7$ to $3.6V$, $V_{SS} = 0V$, $T_a = -20$ to $80^\circ C$ unless otherwise noted.

Parameter	Symbol	Condition	Rating			Unit	
			min	typ	max		
Output rise time	t_{r1}	Measurement cct 3, load cct 1, $0.1V_{DD}$ to $0.9V_{DD}$, $C_L = 15pF$, $T_a = -10$ to $70^\circ C$	SM5006ANAS, CF5006ANA SM5006ANBS, CF5006ANB SM5006CNCS, CF5006CNC SM5006CNDS, CF5006CND SM5006DNCS, CF5006DNC	–	3.5	7.0	ns
	t_{r2}	Measurement cct 3, load cct 1, $0.1V_{DD}$ to $0.9V_{DD}$, $C_L = 15pF$	SM5006ANCS, CF5006ANC SM5006ANDS, CF5006AND SM5006ANES, CF5006ANE SM5006ANFS, CF5006ANF SM5006BNCS, CF5006BNC SM5006BNES, CF5006BNE SM5006CNES, CF5006CNE SM5006DNES, CF5006DNE	–	3.5	7.0	
Output fall time	t_{f1}	Measurement cct 3, load cct 1, $0.9V_{DD}$ to $0.1V_{DD}$, $C_L = 15pF$, $T_a = -10$ to $70^\circ C$	SM5006ANAS, CF5006ANA SM5006ANBS, CF5006ANB SM5006CNCS, CF5006CNC SM5006CNDS, CF5006CND SM5006DNCS, CF5006DNC	–	3.5	7.0	ns
	t_{f2}	Measurement cct 3, load cct 1, $0.9V_{DD}$ to $0.1V_{DD}$, $C_L = 15pF$	SM5006ANCS, CF5006ANC SM5006ANDS, CF5006AND SM5006ANES, CF5006ANE SM5006ANFS, CF5006ANF SM5006BNCS, CF5006BNC SM5006BNES, CF5006BNE SM5006CNES, CF5006CNE SM5006DNES, CF5006DNE	–	3.5	7.0	
Output duty cycle*1	Duty	Measurement cct 3, load cct 1, $T_a = 25^\circ C$, $V_{DD} = 3.3V$, $C_L = 15pF$, $f = 30MHz$	SM5006ANAS, CF5006ANA SM5006ANBS, CF5006ANB SM5006ANCS, CF5006ANC SM5006CNCS, CF5006CNC	40	–	60	%
		Measurement cct 3, load cct 1, $T_a = 25^\circ C$, $V_{DD} = 3.3V$, $C_L = 15pF$, $f = 40MHz$	SM5006CNDS, CF5006CND SM5006DNCS, CF5006DNC	40	–	60	
		Measurement cct 3, load cct 1, $T_a = 25^\circ C$, $V_{DD} = 3.3V$, $C_L = 15pF$, $f = 50MHz$	SM5006ANDS, CF5006AND SM5006BNCS, CF5006BNC	40	–	60	
		Measurement cct 3, load cct 1, $T_a = 25^\circ C$, $V_{DD} = 3.3V$, $C_L = 15pF$, $f = 70MHz$	SM5006ANES, CF5006ANE SM5006ANFS, CF5006ANF SM5006BNES, CF5006BNE SM5006CNES, CF5006CNE SM5006DNES, CF5006DNE	40	–	60	
Output disable delay time	t_{PLZ}	Measurement cct 3, load cct 1, $T_a = 25^\circ C$, $V_{DD} = 5V$, $C_L \leq 15pF$	–	–	100	ns	
Output enable delay time	t_{PZL}		–	–	100	ns	

*1. The duty cycle characteristic is checked the sample chips of each production lot.

SM5006 series

5V operation: $V_{DD} = 4.5$ to $5.5V$, $V_{SS} = 0V$, $T_a = -40$ to $85^\circ C$ unless otherwise noted.

Parameter	Symbol	Condition	Rating			Unit	
			min	typ	max		
Output rise time	t_{r1}	Measurement cct 3, load cct 1, $0.1V_{DD}$ to $0.9V_{DD}$, $C_L = 15pF$	SM5006ANAS, CF5006ANA SM5006ANBS, CF5006ANB SM5006CNCS, CF5006CNC SM5006CNDS, CF5006CND SM5006DNCS, CF5006DNC	-	2.0	4.0	ns
			SM5006ANCS, CF5006ANC SM5006ANDS, CF5006AND SM5006BNCS, CF5006BNC SM5006CNES, CF5006CNE SM5006DNES, CF5006DNE	-	1.5	3.0	
	t_{r2}	Measurement cct 3, load cct 1, $0.1V_{DD}$ to $0.9V_{DD}$, $C_L = 30pF$	CF5006ANE CF5006ANF CF5006BNE	-	2.0	4.0	
	t_{r3}	Measurement cct 3, load cct 1, $0.1V_{DD}$ to $0.9V_{DD}$, $C_L = 50pF$	SM5006ANAS, CF5006ANA SM5006ANBS, CF5006ANB SM5006CNCS, CF5006CNC SM5006CNDS, CF5006CND SM5006DNCS, CF5006DNC	-	4.0	8.0	
			SM5006ANCS, CF5006ANC SM5006ANDS, CF5006AND SM5006BNCS, CF5006BNC SM5006CNES, CF5006CNE SM5006DNES, CF5006DNE	-	3.5	7.0	
			SM5006ANES, CF5006ANE SM5006ANFS, CF5006ANF SM5006BNES, CF5006BNE	-	3.0	6.0	
Output fall time	t_{f1}	Measurement cct 3, load cct 1, $0.9V_{DD}$ to $0.1V_{DD}$, $C_L = 15pF$	SM5006ANAS, CF5006ANA SM5006ANBS, CF5006ANB SM5006CNCS, CF5006CNC SM5006CNDS, CF5006CND SM5006DNCS, CF5006DNC	-	2.0	4.0	ns
			SM5006ANCS, CF5006ANC SM5006ANDS, CF5006AND SM5006BNCS, CF5006BNC SM5006CNES, CF5006CNE SM5006DNES, CF5006DNE	-	1.5	3.0	
	t_{f2}	Measurement cct 3, load cct 1, $0.9V_{DD}$ to $0.1V_{DD}$, $C_L = 30pF$	CF5006ANE CF5006ANF CF5006BNE	-	2.0	4.0	
	t_{f3}	Measurement cct 3, load cct 1, $0.9V_{DD}$ to $0.1V_{DD}$, $C_L = 50pF$	SM5006ANAS, CF5006ANA SM5006ANBS, CF5006ANB SM5006CNCS, CF5006CNC SM5006CNDS, CF5006CND SM5006DNCS, CF5006DNC	-	4.0	8.0	
			SM5006ANCS, CF5006ANC SM5006ANDS, CF5006AND SM5006BNCS, CF5006BNC SM5006CNES, CF5006CNE SM5006DNES, CF5006DNE	-	3.5	7.0	
			SM5006ANES, CF5006ANE SM5006ANFS, CF5006ANF SM5006BNES, CF5006BNE	-	3.0	6.0	

SM5006 series

Parameter	Symbol	Condition		Rating			Unit	
				min	typ	max		
Output duty cycle*1	Duty	Measurement cct 3, load cct 1, Ta = 25°C, VDD = 5.0V	f = 30MHz, CL = 50pF	SM5006ANAS CF5006ANA	45	-	55	%
			f = 40MHz, CL = 50pF	SM5006ANBS CF5006ANB	45	-	55	
			f = 60MHz, CL = 50pF	SM5006ANCS CF5006ANC	45	-	55	
			f = 70MHz, CL = 50pF	SM5006ANDS CF5006AND SM5006BNCS CF5006BNC	45	-	55	
			f = 100MHz, CL = 30pF	CF5006ANE	45	-	55	
			f = 100MHz, CL = 15pF	SM5006ANES	45	-	55	
			f = 107MHz, CL = 30pF	CF5006ANF CF5006BNE	45	-	55	
			f = 107MHz, CL = 15pF	SM5006ANFS SM5006BNES	45	-	55	
			f = 50MHz, CL = 50pF	SM5006CNCS CF5006CNC SM5006DNCS CF5006DNC	45	-	55	
			f = 100MHz, CL = 15pF	SM5006CNES CF5006CNE SM5006DNES CF5006DNE	45	-	55	
			f = 60MHz, CL = 15pF	SM5006CNCS CF5006CNC	40	-	60	
			f = 70MHz, CL = 15pF	SM5006CNDS CF5006CND SM5006DNCS CF5006DNC	40	-	60	
Output disable delay time	t _{PLZ}	Measurement cct 3, load cct 1, Ta = 25°C, VDD = 5V, CL ≤ 15pF			-	-	100	ns
Output enable delay time	t _{PZL}				-	-	100	ns

*1. The duty cycle characteristic is checked the sample chips of each production lot.

SM5006 series

5006×K series

$V_{SS} = 0V$, $T_a = -40$ to $85^\circ C$ unless otherwise noted.

Parameter	Symbol	Condition		Rating			Unit	
				min	typ	max		
Output rise time	t_r	Measurement cct 3, load cct 1, 0.4V to 2.4V, $V_{DD} = 4.5$ to $5.5V$	$C_L = 15pF$	–	2	4	ns	
			$C_L = 50pF$	–	–	7		
Output fall time	t_f	Measurement cct 3, load cct 1, 2.4V to 0.4V, $V_{DD} = 4.5$ to $5.5V$	$C_L = 15pF$	–	2	4	ns	
			$C_L = 50pF$	–	–	7		
Output duty cycle ^{*1}	Duty	Measurement cct 3, load cct 1, $T_a = 25^\circ C$, $V_{DD} = 5.0V$, $C_L = 15pF$	f = 30MHz	SM5006AKAS CF5006AKA	45	–	55	%
			f = 40MHz	SM5006AKBS CF5006AKB	45	–	55	
			f = 60MHz	SM5006AKCS CF5006AKC	40	–	60	
			f = 70MHz	SM5006AKDS CF5006AKD SM5006BKCS CF5006BKC	45	–	55	
			f = 50MHz	SM5006DKCS CF5006DKC	45	–	55	
			f = 70MHz	SM5006CKDS CF5006CKD SM5006DKCS CF5006DKC	40	–	60	
Output disable delay time	t_{PLZ}	Measurement cct 3, load cct 1, $T_a = 25^\circ C$, $V_{DD} = 5V$, $C_L \leq 15pF$		–	–	100	ns	
Output enable delay time	t_{PZL}			–	–	100	ns	

*1. The duty cycle characteristic is checked the sample chips of each production lot.

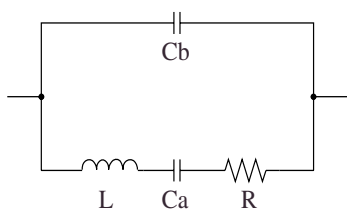
5006AH series

$V_{DD} = 4.5$ to $5.5V$, $V_{SS} = 0V$, $T_a = -40$ to $85^\circ C$ unless otherwise noted.

Parameter	Symbol	Condition		Rating			Unit	
				min	typ	max		
Output rise time	t_{r1}	Measurement cct 3, load cct 1, $0.1V_{DD}$ to $0.9V_{DD}$	$C_L = 15pF$	–	5.0	7.0	ns	
	t_{r2}		$C_L = 50pF$	–	13	21		
Output fall time	t_{f1}	Measurement cct 3, load cct 1, $0.9V_{DD}$ to $0.1V_{DD}$	$C_L = 15pF$	–	5.0	7.0	ns	
	t_{f2}		$C_L = 50pF$	–	13	21		
Output duty cycle ^{*1}	Duty	Measurement cct 3, load cct 1, $T_a = 25^\circ C$, $V_{DD} = 5.0V$, $C_L = 15pF$	f = 30MHz	SM5006AHAS CF5006AHA	45	–	55	%
			f = 40MHz	SM5006AHBS CF5006AHB	45	–	55	
			f = 50MHz	SM5006AHCS CF5006AHC	45	–	55	
			f = 60MHz, $T_a = -20$ to $80^\circ C$	CF5006AHC	40	–	60	
			f = 60MHz, $T_a = -15$ to $75^\circ C$	SM5006AHCS	40	–	60	
			f = 70MHz, $T_a = -20$ to $80^\circ C$	CF5006AHD	40	–	60	
			f = 70MHz, $T_a = -15$ to $75^\circ C$	SM5006AHDS	40	–	60	
Output disable delay time	t_{PLZ}	Measurement cct 3, load cct 1, $T_a = 25^\circ C$, $V_{DD} = 5V$, $C_L \leq 15pF$		–	–	100	ns	
Output enable delay time	t_{PZL}			–	–	100	ns	

*1. The duty cycle characteristic is checked the sample chips of each production lot.

Current consumption and Output waveform with NPC's standard crystal



f [MHz]	R [Ω]	L [mH]	Ca [fF]	Cb [pF]
30	18.62	16.24	1.733	5.337
40	20.53	11.34	1.396	3.989
50	22.17	7.40	1.370	4.105
70	25.42	4.18	1.254	5.170
100	16.60	3.56	0.726	5.394
107	35.83	2.98	0.732	2.265

FUNCTIONAL DESCRIPTION

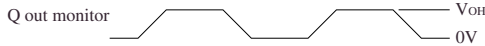
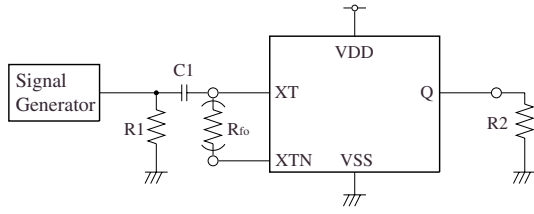
Standby Function

When INHN goes LOW, the oscillator output on Q goes high impedance.

INHN	Q	Oscillator
HIGH (or open)	f_o output frequency	Normal operation
LOW	High impedance	Normal operation

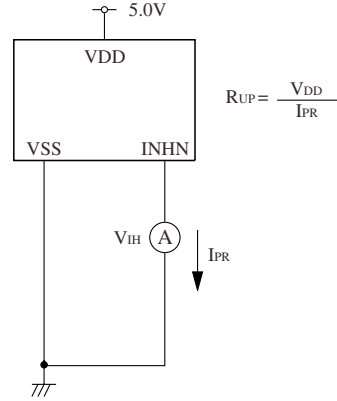
MEASUREMENT CIRCUITS

Measurement cct 1



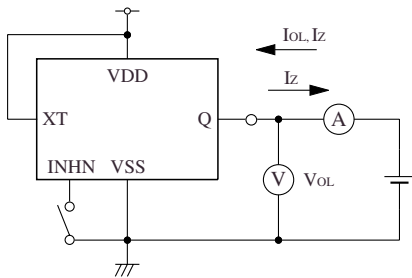
- 3.5V_{P-P}, 10MHz sine wave input signal (5V operation)
- 2.0V_{P-P}, 10MHz sine wave input signal (3V operation)
- C1 : 0.001μF
- R1 : 50Ω
- R2 : 250Ω (5006×N×/5V operation)
- 275Ω (5006×N×/3V operation)
- 245Ω (5006AKA, AKB, AKC, CKD, DKC)
- 250Ω (5006AKD, BKC)
- 975Ω (5006AH×)
- R_{fo} : 2.7kΩ (5006B××, D××)

Measurement cct 4

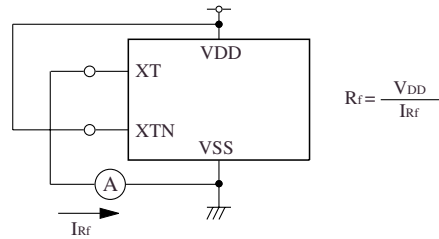


$$R_{UP} = \frac{V_{DD}}{I_{PR}}$$

Measurement cct 2

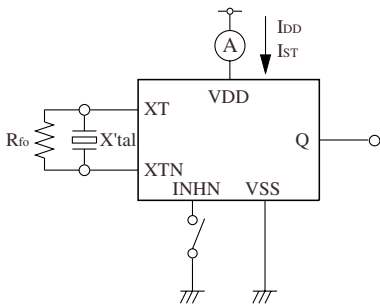


Measurement cct 5



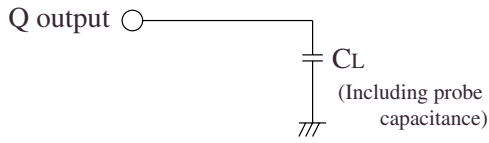
$$R_f = \frac{V_{DD}}{I_{rf}}$$

Measurement cct 3

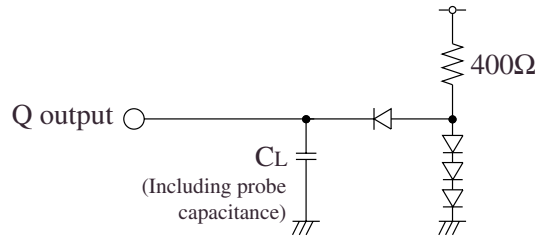


- R_{fo} : 2.7kΩ (5006B××, D××)

Load cct 1

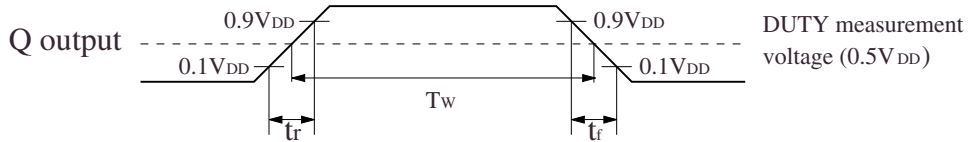


Load cct 2

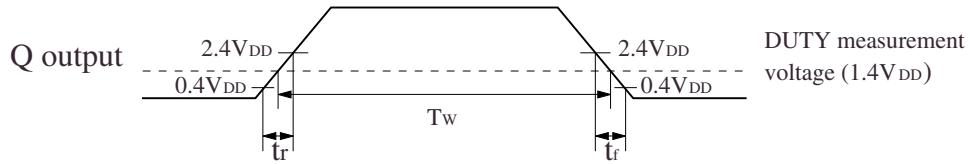


Switching Time Measurement Waveform

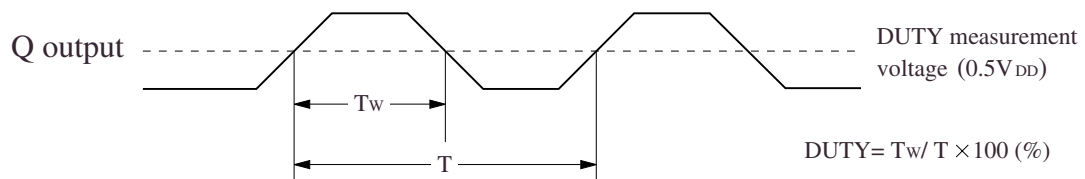
Output duty level (CMOS)



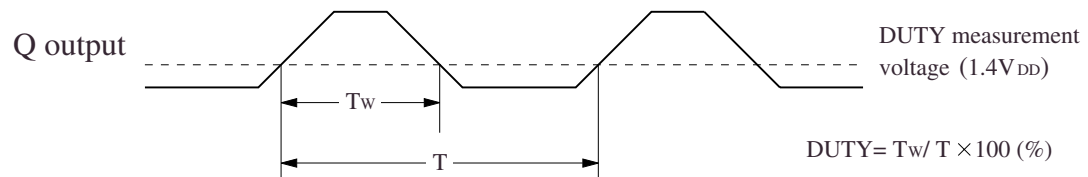
Output duty level (TTL)



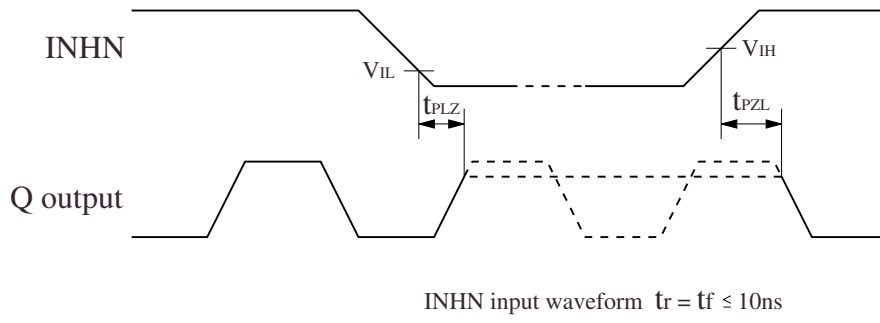
Output duty cycle (CMOS)



Output duty cycle (TTL)



Output Enable/Disable Delay



Please pay your attention to the following points at time of using the products shown in this document.

The products shown in this document (hereinafter "Products") are not intended to be used for the apparatus that exerts harmful influence on human lives due to the defects, failure or malfunction of the Products. Customers are requested to obtain prior written agreement for such use from SEIKO NPC CORPORATION (hereinafter "NPC"). Customers shall be solely responsible for, and indemnify and hold NPC free and harmless from, any and all claims, damages, losses, expenses or lawsuits, due to such use without such agreement. NPC reserves the right to change the specifications of the Products in order to improve the characteristic or reliability thereof. NPC makes no claim or warranty that the contents described in this document do not infringe any intellectual property right or other similar right owned by third parties. Therefore, NPC shall not be responsible for such problems, even if the use is in accordance with the descriptions provided in this document. Any descriptions including applications, circuits, and the parameters of the Products in this document are for reference to use the Products, and shall not be guaranteed free from defect, inapplicability to the design for the mass-production products without further testing or modification. Customers are requested not to export or re-export, directly or indirectly, the Products to any country or any entity not in compliance with or in violation of the national export administration laws, treaties, orders and regulations. Customers are requested appropriately take steps to obtain required permissions or approvals from appropriate government agencies.

The logo for SEIKO NPC CORPORATION, consisting of the letters 'NPC' in a bold, black, sans-serif font.

SEIKO NPC CORPORATION

15-6, Nihombashi-kabutocho, Chuo-ku,
Tokyo 103-0026, Japan
Telephone: +81-3-6667-6601
Facsimile: +81-3-6667-6611
<http://www.npc.co.jp/>
Email: sales@npc.co.jp

NC9713FE 2006.04