

PLEASE CHECK WWW.MOLEX.COM FOR LATEST PART INFORMATION

Part Number: **5023800700**
Status: **Active**
Overview: clikmate wiretoboard connectors
Description: 1.25mm (.049") Pitch CLIK-Mate™ Wire-to-Board Housing, Single Row, Positive Lock, 7 Circuits

Documents:

[3D Model](#)
[Application Specification \(PDF\)](#)
[Drawing \(PDF\)](#)
[Product Specification PS-502382-001 \(PDF\)](#)
[RoHS Certificate of Compliance \(PDF\)](#)

General

Product Family: Crimp Housings
 Series: 502380
 Overview: clikmate wiretoboard connectors
 Product Name: CLIK-Mate™

Physical

Breakaway: No
 Circuits (maximum): 7
 Color - Resin: White
 Gender: Plug
 Glow-Wire Compliant: No
 Keying to Mating Part: Yes
 Lock to Mating Part: Yes
 Material - Resin: Polyester
 Number of Rows: 1
 Packaging Type: Bag
 Panel Mount: No
 Pitch - Mating Interface (in): 0.049 In
 Pitch - Mating Interface (mm): 1.25 mm
 Polarized to Mating Part: Yes
 Stackable: No
 Temperature Range - Operating: -25°C to +85°C

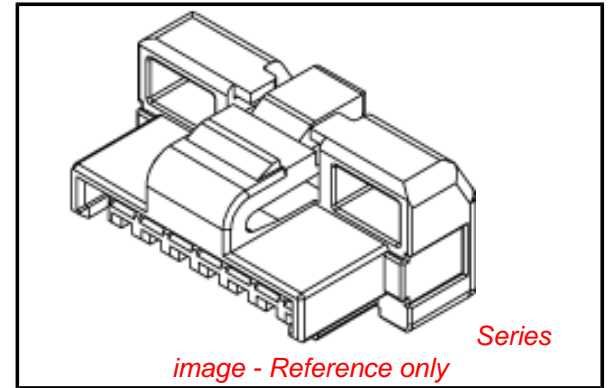
Electrical

Current - Maximum per Contact: 1A

Material Info

Reference - Drawing Numbers

Application Specification: AS-502380-001, AS-502380-002
 Packaging Specification: SPK-502380-001
 Product Specification: PS-502382-001, RPS-502382-003, RPS-502382-004, RPS-502382-005, RPS-502382-006, RPS-502382-008, RPS-502382-010, RPS-502382-011, RPS-502382-012, RPS-502382-013, RPS-502386-001
 Sales Drawing: SD-502380-001, SD-502380-002



EU RoHS

ELV and RoHS Compliant
REACH SVHC Contains SVHC: No
Halogen-Free Status

China RoHS



Need more information on product environmental compliance?

Email productcompliance@molex.com
 For a multiple part number RoHS Certificate of Compliance, [click here](#)

Please visit the [Contact Us](#) section for any non-product compliance questions.

Search Parts in this Series

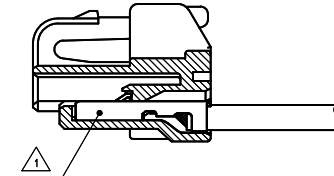
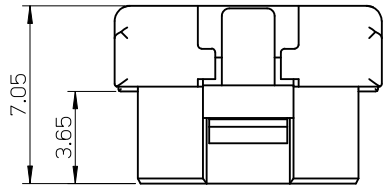
[502380Series](#)

Mates With

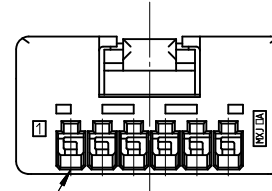
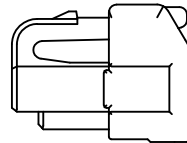
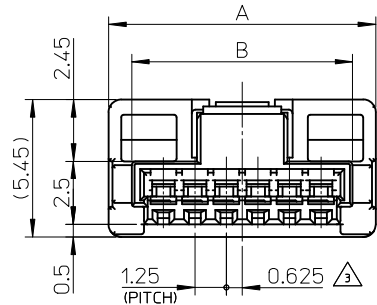
[502382](#) PCB Receptacle, [502386](#) PCB Receptacle

Use With

[502381](#) Crimp Terminal



ターミナル装着図
TERMINAL ASSEMBLY DRAWING



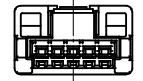
回路番号 1
CKT NO. 1

NOTES

- ① 適合ターミナル: 502381-00**
APPLICABLE TARMINAL: 502381-00**
2. 嵌合相手: 502382-**09 / 502386-**09
MATE WITH: 502382-**09 / 502386-**09
- ③ 極数/コ=偶数に適用。
APPLY FOR CKT. SIZE / 2 = EVEN.
4. 本製品のプラスチック部に黒点等が確認される場合や色合いが異なる場合がありますが、製品性能に影響はありません。
THERE IS NO INFLUENCE IN THE PRODUCT PERFORMANCE THOUGH THE BLACK SPOT ETC. MIGHT BE CONFIRMED TO THE PLASTIC PART OF THIS PRODUCT AND THE SHADE MIGHT BE DIFFERENT.
5. アプリケーション仕様書 (コネクタ取扱説明書): AS-502380-001
APPLICATION SPECIFICATIONS (CONNECTOR MANUAL): AS-502380-001
6. 製品仕様書: PS-502382-001
Product specification: PS-502382-001



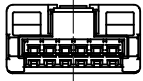
2 CKT.



5 CKT.



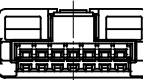
3 CKT.



6 CKT.



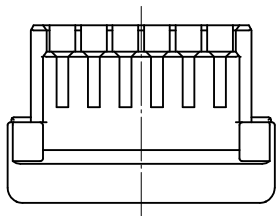
4 CKT.



7 CKT.

極数の種類 (正面図)
KIND OF CKT. NO. (FRONT VIEW)


10	11.85	502380-070*	7
8.75	10.6	502380-060*	6
7.5	9.35	502380-050*	5
6.25	8.1	502380-040*	4
5	6.85	502380-030*	3
3.75	5.6	502380-020*	2
B	A	ポリ袋 POLYBAG PACKAGE オーダー番号 ORDER No.	極数 CKT. No.

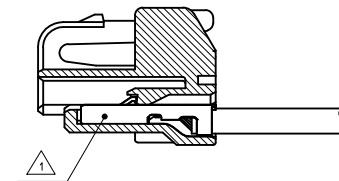
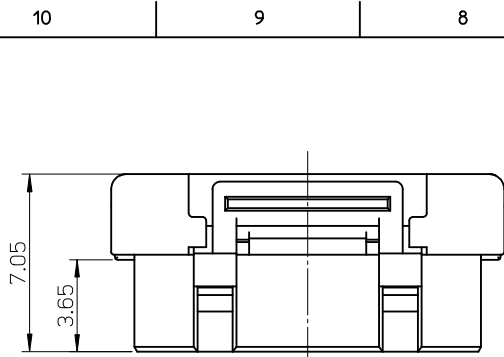


REVISED EC NO: J2010-2217 DRWN: THANJU 2010/05/12 CHKDK: ASAKAWA 2010/05/13 APPR: NUKITA 2010/05/14	GENERAL TOLERANCES (UNLESS SPECIFIED)		DIMENSION STYLE MM ONLY	SCALE 5:1	DESIGN UNITS METRIC	THIRD ANGLE PROJECTION
	10 UNDER	±0.2	DRAWN BY T. MIYAZAKI	DATE 2006/08/28	TITLE 1.25 W/B CONN. SINGLE PLUG HOUSING 2-7CKT.	
	10 OVER 30 UNDER	±0.25	CHECKED BY K. ASAKAWA	DATE 2006/08/28	MOLEX INCORPORATED	
	30 OVER	±0.3	APPROVED BY Y.O. ITO	DATE 2006/08/28	MATERIAL NO. SEE TABLE	DOCUMENT NO. SD-502380-001
REV	DESCRIPTION	ANGULAR ±3 ° DRAFT WHERE APPLICABLE MUST REMAIN WITHIN DIMENSIONS	SIZE A3	THIS DRAWING CONTAINS INFORMATION THAT IS PROPRIETARY TO MOLEX INCORPORATED AND SHOULD NOT BE USED WITHOUT WRITTEN PERMISSION		

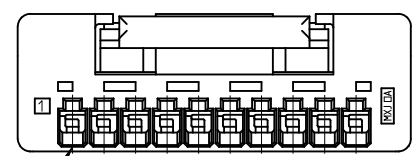
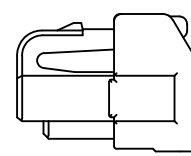
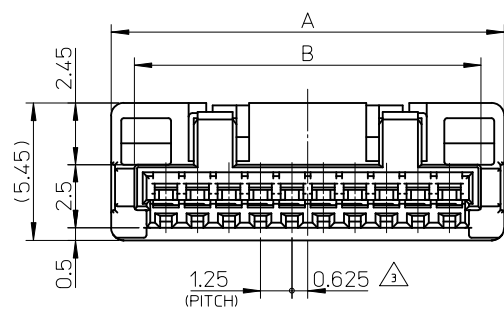
部品 PART	材質 MATERIAL
ハウジング HOUSING	ポリブチレンテレフタレート UL94V-0 色: SHEET 2 参照 POLYBUTYLENE TEREPHTHALATE UL94V-0 COLOR: SEE SHEET 2

HSG COLOR : GREEN	HSG COLOR : BLUE	HSG COLOR : RED	HSG COLOR : BLACK	HSG COLOR : NATURAL	
502380-0706	502380-0704	502380-0702	502380-0701	502380-0700	7
502380-0606	502380-0604	502380-0602	502380-0601	502380-0600	6
502380-0506	502380-0504	502380-0502	502380-0501	502380-0500	5
502380-0406	502380-0404	502380-0402	502380-0401	502380-0400	4
502380-0306	502380-0304	502380-0302	502380-0301	502380-0300	3
502380-0206	502380-0204	502380-0202	502380-0201	502380-0200	2
ホリ袋 POLYBAG PACKAGE オーダー番号 ORDER No.					極数 (KT. NO.)

REVISED EC NO: J2010-2217 DRWN: THANU 2010/05/12 CHKDK: ASAKAWA 2010/05/13 APPR: NUKITA 2010/05/14	GENERAL TOLERANCES (UNLESS SPECIFIED)		DIMENSION STYLE MM ONLY	SCALE ---	DESIGN UNITS METRIC	THIRD ANGLE PROJECTION
	10 UNDER	±0.2	DRAWN BY T. MIYAZAKI	DATE 2006/08/28	TITLE 1.25 W/B CONN. SINGLE PLUG HOUSING 2-7CKT.	
	10 OVER 30 UNDER	±0.25	CHECKED BY K. ASAKAWA	DATE 2006/08/28	 MOLEX INCORPORATED	
	30 OVER	±0.3	APPROVED BY YO. ITO	DATE 2006/08/28		
	ANGULAR ±3 °		MATERIAL NO. SEE TABLE		DOCUMENT NO. SD-502380-001	SHEET NO. 2 OF 2
DRAFT WHERE APPLICABLE MUST REMAIN WITHIN DIMENSIONS		THIS DRAWING CONTAINS INFORMATION THAT IS PROPRIETARY TO MOLEX INCORPORATED AND SHOULD NOT BE USED WITHOUT WRITTEN PERMISSION				



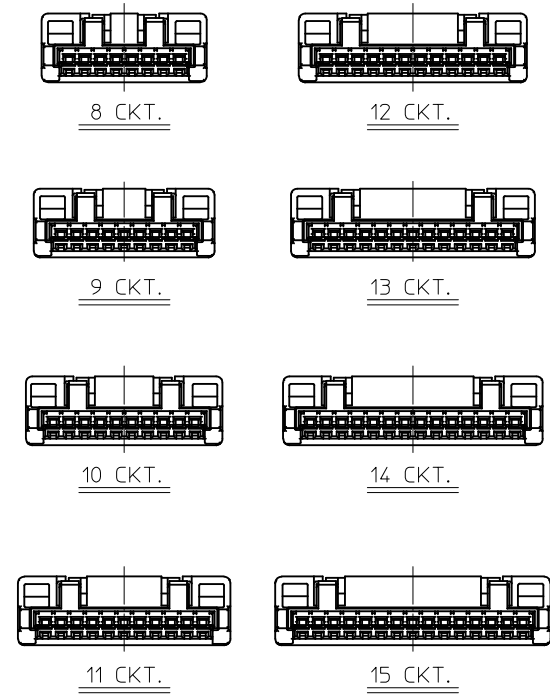
ターミナル装着図
TERMINAL ASSEMBLY DRAWING



回路番号 1
CKT NO. 1

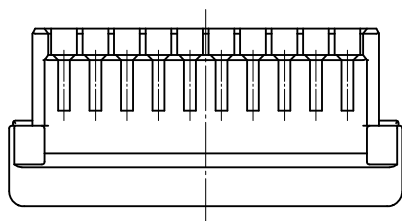
NOTES

- ① 適合ターミナル: 502381-00**
APPLICABLE TARMINAL : 502381-00**
2. 嵌合相手: 502382-**09 / 502386-**09
MATE WITH : 502382-**09 / 502386-**09
- ③ 極数/2=偶数に適用。
APPLY FOR CKT. SIZE / 2 = EVEN.
4. 本製品のプラスチック部に黒点等が確認される場合や色合いが異なる場合がありますが、製品性能に影響はありません。
THERE IS NO INFLUENCE IN THE PRODUCT PERFORMANCE THOUGH THE BLACK SPOT ETC. MIGHT BE CONFIRMED TO THE PLASTIC PART OF THIS PRODUCT AND THE SHADE MIGHT BE DIFFERENT.
5. アプリケーション仕様書(コネクタ取扱説明書): AS-502380-001
APPLICATION SPECIFICATIONS (CONNECTOR MANUAL): AS-502380-001.
6. 製品仕様書: PS-502382-001
Product specification: PS-502382-001
7. ELV AND RoHS COMPLIANT.



極数の種類 (正面図)
KIND OF CKT. NO. (FRONT VIEW)


20	21.85	502380-150*	15
18.75	20.6	502380-140*	14
17.5	19.35	502380-130*	13
16.25	18.1	502380-120*	12
15	16.85	502380-110*	11
13.75	15.6	502380-100*	10
12.5	14.35	502380-090*	9
11.25	13.1	502380-080*	8
B	A	ポリ袋 POLYBAG PACKAGE オーダー番号 ORDER NO.	極数 CKT. NO.



REVISED EC NO: J2010-2217 DRWN: THANU 2010/05/12 CHKD: ASAKAWA 2010/05/13 APPR: NUKITA 2010/05/14	GENERAL TOLERANCES (UNLESS SPECIFIED)		DIMENSION STYLE MM ONLY		SCALE 5:1	DESIGN UNITS METRIC	THIRD ANGLE PROJECTION	
	10 UNDER	±0.2	DRAWN BY T. MIYAZAKI	DATE 2006/08/28	TITLE 1.25 W/B CONN. SINGLE PLUG HOUSING 8-15CKT.			
	10 OVER 30 UNDER	±0.25	CHECKED BY K. ASAKAWA	DATE 2006/08/28	MOLEX INCORPORATED			
	30 OVER	±0.3	APPROVED BY Y.O. ITO	DATE 2006/08/28	MATERIAL NO. SEE TABLE	DOCUMENT NO. SD-502380-002	SHEET NO. 1 OF 2	
REV	DESCRIPTION	ANGULAR ±3 °	DRAFT WHERE APPLICABLE MUST REMAIN WITHIN DIMENSIONS		THIS DRAWING CONTAINS INFORMATION THAT IS PROPRIETARY TO MOLEX INCORPORATED AND SHOULD NOT BE USED WITHOUT WRITTEN PERMISSION			

部品 PART	材質 MATERIAL
ハウジング HOUSING	ポリブチレンテレフタレート UL94V-0 色: SHEET 2 参照 POLYBUTYLENE TEREPHTHALATE UL94V-0 COLOR : SEE SHEET 2

HSG COLOR : GREEN	HSG COLOR : BLUE	HSG COLOR : RED	HSG COLOR : BLACK	HSG COLOR : NATURAL	
502380-1506	502380-1504	502380-1502	502380-1501	502380-1500	15
502380-1406	502380-1404	502380-1402	502380-1401	502380-1400	14
502380-1306	502380-1304	502380-1302	502380-1301	502380-1300	13
502380-1206	502380-1204	502380-1202	502380-1201	502380-1200	12
502380-1106	502380-1104	502380-1102	502380-1101	502380-1100	11
502380-1006	502380-1004	502380-1002	502380-1001	502380-1000	10
502380-0906	502380-0904	502380-0902	502380-0901	502380-0900	9
502380-0806	502380-0804	502380-0802	502380-0801	502380-0800	8
ホリ袋 POLYBAG PACKAGE オーダー番号 ORDER No.					極数 (KT. NO.)

REVISED EC NO.: J2010-2217 DRWN: THANU 2010/05/12 CHK'D: ASAKAWA 2010/05/13 APPR: NUKITA 2010/05/14	GENERAL TOLERANCES (UNLESS SPECIFIED)		DIMENSION STYLE MM ONLY	SCALE -----	DESIGN UNITS METRIC	THIRD ANGLE PROJECTION
	10 UNDER	± 0.2	DRAWN BY T. MIYAZAKI	DATE 2006/08/28	TITLE 1.25 W/B CONN. SINGLE PLUG HOUSING 8-15CKT.	
	10 OVER 30 UNDER	± 0.25	CHECKED BY K. ASAKAWA	DATE 2006/08/28	 MOLEX INCORPORATED	
	30 OVER	± 0.3	APPROVED BY YO. ITO	DATE 2006/08/28		
	ANGULAR ±3 °		MATERIAL NO. SEE TABLE		DOCUMENT NO. SD-502380-002	SHEET NO. 2 OF 2
DRAFT WHERE APPLICABLE MUST REMAIN WITHIN DIMENSIONS		THIS DRAWING CONTAINS INFORMATION THAT IS PROPRIETARY TO MOLEX INCORPORATED AND SHOULD NOT BE USED WITHOUT WRITTEN PERMISSION				