

PLEASE CHECK WWW.MOLEX.COM FOR LATEST PART INFORMATION

Part Number: [0010101123](#)
Status: **Active**
Overview: [kk](#)
Description: 5.08mm (.200") Pitch KK® PC Board Connector, Top Entry Mount Style C, 1.0µm (40µ") Tin (Sn), 12 Circuits

Documents:

[3D Model](#) [Product Specification PS-99020-0087 \(PDF\)](#)
[Drawing \(PDF\)](#) [RoHS Certificate of Compliance \(PDF\)](#)

Agency Certification

CSA LR19980
 UL E29179

General

Product Family PCB Receptacles
 Series [3002](#)
 Application Board-to-Board
 Overview [kk](#)
 Product Name KK®

Physical

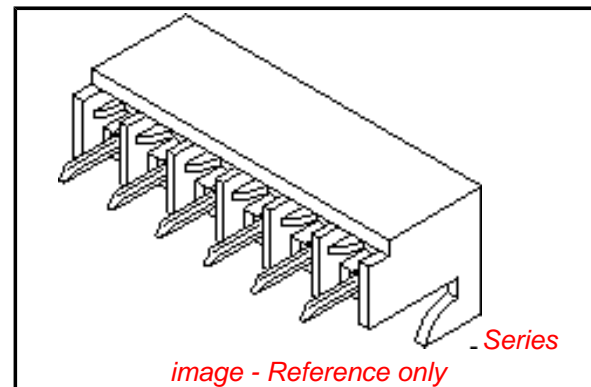
Circuits (Loaded) 12
 Color - Resin Natural
 Durability (mating cycles max) 25
 Flammability 94V-2
 Glow-Wire Compliant No
 Material - Metal Phosphor Bronze
 Material - Plating Mating Tin
 Material - Plating Termination Tin
 Material - Resin Nylon
 Number of Rows 1
 Orientation Vertical
 PC Tail Length (in) 0.110 In
 PC Tail Length (mm) 2.79 mm
 PCB Locator No
 PCB Retention None
 PCB Thickness Recommended (in) 0.062 In
 PCB Thickness Recommended (mm) 1.60 mm
 Packaging Type Tray
 Pitch - Mating Interface (in) 0.200 In
 Pitch - Mating Interface (mm) 5.08 mm
 Plating min: Mating (µin) 40.00
 Plating min: Mating (µm) 1.000
 Plating min: Termination (µin) 40.00
 Plating min: Termination (µm) 1.00
 Polarized to PCB No
 Temperature Range - Operating 0°C to +75°C
 Termination Interface: Style Through Hole

Electrical

Current - Maximum per Contact 7A
 Voltage - Maximum 250V

Solder Process Data

Lead-free Process Capability Wave Capable (TH only)



EU RoHS

ELV and RoHS Compliant
REACH SVHC
 Not Reviewed
Halogen-Free Status
 Not Reviewed

China RoHS



Need more information on product environmental compliance?

Email productcompliance@molex.com
 For a multiple part number RoHS Certificate of Compliance, [click here](#)

Please visit the [Contact Us](#) section for any non-product compliance questions.

Search Parts in this Series

[3002Series](#)

Mates With

[3003](#) , [2599](#) , [3008](#)

Material Info

Old Part Number

300212C

Reference - Drawing Numbers

Product Specification

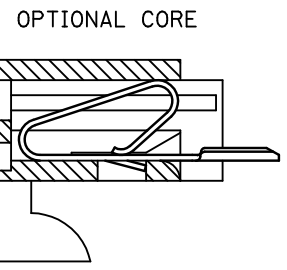
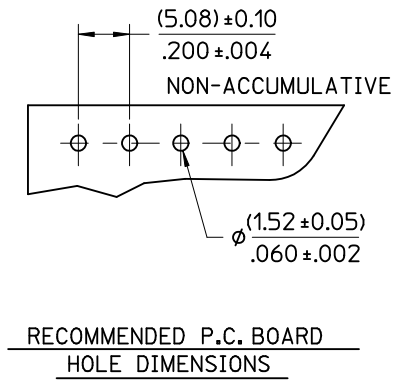
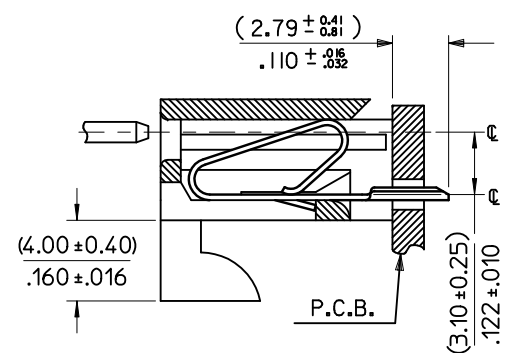
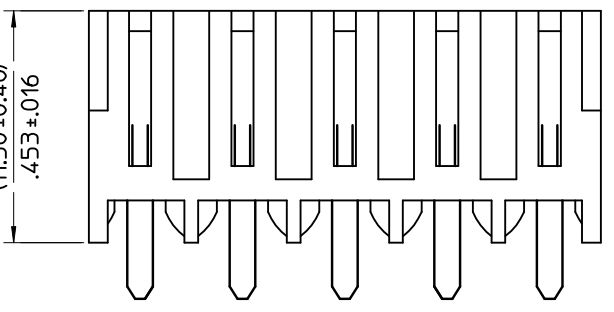
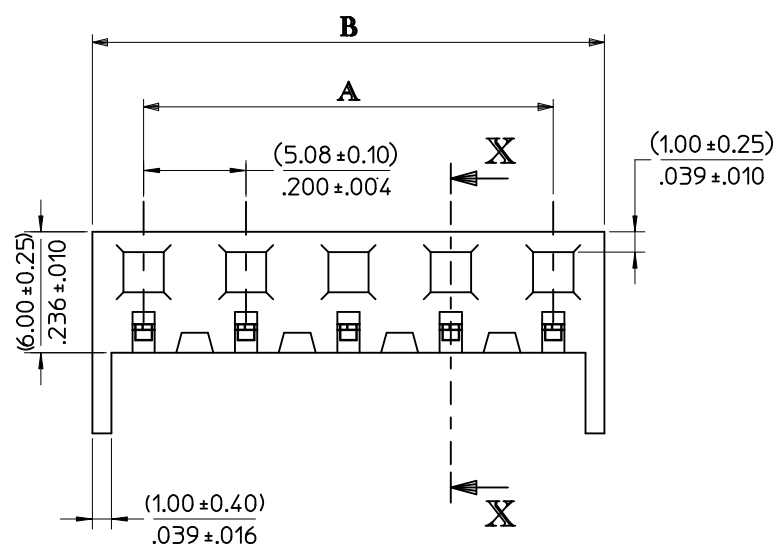
PS-99020-0087

Sales Drawing

SDAE-3002-NAG, SDAE-3002-NCG

This document was generated on 05/21/2010

PLEASE CHECK WWW.MOLEX.COM FOR LATEST PART INFORMATION



SECTION X-X

20	10-10-1203	AE-3002-20C	3.800 ± .012	4.000 ^{+.012} / _{-.016}	96.52 ± 0.3	101.60 ^{+.4} / _{-.3}
19	-1193	-19C	3.600 ± .012	3.800 ^{+.012} / _{-.016}	91.44 ± 0.3	96.52 ^{+.4} / _{-.3}
18	-1183	-18C	3.400 ± .012	3.600 ^{+.012} / _{-.016}	86.36 ± 0.3	91.44 ^{+.4} / _{-.3}
17	-1173	-17C	3.200 ± .012	3.400 ^{+.012} / _{-.016}	81.28 ± 0.3	86.36 ^{+.4} / _{-.3}
16	-1163	-16C	3.000 ± .010	3.200 ^{+.012} / _{-.016}	76.20 ± 0.25	81.28 ^{+.4} / _{-.3}
15	-1153	-15C	2.800 ± .010	3.000 ^{+.012} / _{-.016}	71.12 ± 0.25	76.20 ^{+.4} / _{-.3}
14	-1143	-14C	2.600 ± .010	2.800 ^{+.012} / _{-.016}	66.04 ± 0.25	71.12 ^{+.4} / _{-.3}
13	-1133	-13C	2.400 ± .010	2.600 ^{+.012} / _{-.016}	60.96 ± 0.25	66.04 ^{+.4} / _{-.3}
12	-1123	-12C	2.200 ± .010	2.400 ^{+.012} / _{-.016}	55.88 ± 0.25	60.96 ^{+.4} / _{-.3}
11	-1113	-11C	2.000 ± .008	2.200 ^{+.008} / _{-.012}	50.80 ± 0.20	55.88 ^{+.4} / _{-.3}
10	-1103	-10C	1.800 ± .008	2.000 ^{+.008} / _{-.012}	45.72 ± 0.20	50.80 ^{+.4} / _{-.3}
9	-1093	-9C	1.600 ± .008	1.800 ^{+.008} / _{-.012}	40.64 ± 0.20	45.72 ^{+.4} / _{-.3}
8	-1083	-8C	1.400 ± .008	1.600 ^{+.008} / _{-.012}	35.56 ± 0.20	40.64 ^{+.4} / _{-.3}
7	-1073	-7C	1.200 ± .008	1.400 ^{+.008} / _{-.012}	30.48 ± 0.20	35.56 ^{+.4} / _{-.3}
6	-1063	-6C	1.000 ± .004	1.200 ^{+.008} / _{-.012}	25.40 ± 0.10	30.48 ^{+.4} / _{-.3}
5	-1053	-5C	.800 ± .004	1.000 ^{+.006} / _{-.006}	20.32 ± 0.10	25.40 ^{+.4} / _{-.3}
4	-1043	-4C	.600 ± .004	.800 ^{+.006} / _{-.006}	15.24 ± 0.10	20.32 ^{+.4} / _{-.3}
3	-1033	-3C	.400 ± .004	.600 ^{+.006} / _{-.006}	10.16 ± 0.10	15.24 ^{+.4} / _{-.3}
2	10-10-1023	AE-3002-2C	.200 ± .004	.400 ^{+.006} / _{-.006}	5.08 ± 0.10	10.16 ^{+.4} / _{-.3}

- NOTES:
- HOUSING : NYLON, UL94V-2, COLOR: NATURAL
TERMINAL : PHOSPHOR BRONZE
 - FINISH: HOT TIN DIP. (0.00254)/.000100 MIN
 - PRODUCT SPECIFICATION : PS-99020-0087
 - PACKAGING SPECIFICATION : TBD
 - HOUSING SUITABLE FOR (1.14±0.15)/.045±.006 RD OR SQ. PINS
 - HOOKS AVAILABLE ON ENDS ONLY
 - THIS PART CONFORMS TO CLASS B REQUIREMENTS OF COSMETIC SPECIFICATION PS-45499-002

ADD/REVISE NOTES EC NO: UCP/2011-0101 DRWN:MK/PPER 2010/08/10 CHYD:MK/PPER 2010/08/26 APPR:FSM/TH 2010/08/27 K1	QUALITY SYMBOLS $F_A=0$ $F_C=0$ $F_P=0$	GENERAL TOLERANCES (UNLESS SPECIFIED) mm INCH 4 PLACES ± --- ± --- 3 PLACES ± 0.25 ± .010 2 PLACES ± 0.35 ± .014 1 PLACE ± --- ± --- ANGULAR ± 1/2°	DIMENSION STYLE MM/IN DRAWN BY P MOORE DATE 1998/09/14 CHECKED BY MGOONEY DATE 1999/03/08 APPROVED BY MWILHITE DATE 1999/03/08	SCALE 5:1 DESIGN UNITS METRIC THIRD ANGLE PROJECTION
		DRAFT WHERE APPLICABLE MUST REMAIN WITHIN DIMENSIONS	MATERIAL NO. SEE CHART SIZE A3 THIS DRAWING CONTAINS INFORMATION THAT IS PROPRIETARY TO MOLEX INCORPORATED AND SHOULD NOT BE USED WITHOUT WRITTEN PERMISSION	TITLE KONEKTCON & P.C. TAIL TERMINAL ASSEMBLY (5.08)/.200 PITCH MOLEX INCORPORATED DOCUMENT NO. SDAE-3002-NC-* SHEET NO. 1 OF 2