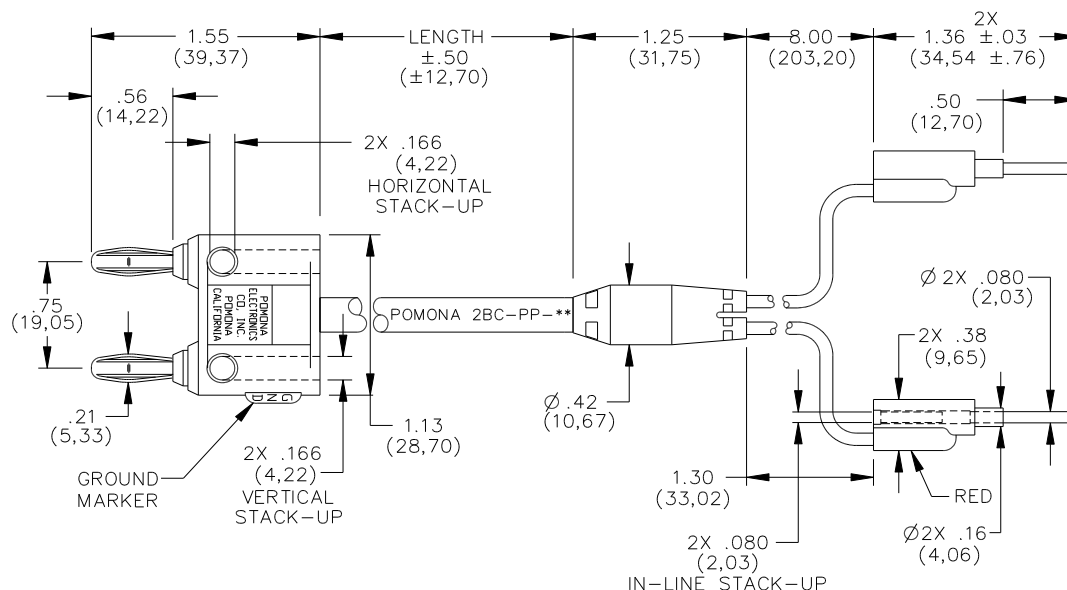


## Model 2BC-PP Double Banana Plug To Stacking Pin Tips Cable Assembly



### MATERIALS:

#### Double Banana Plug:

Plug Bodies: Brass, Nickel Plated

Springs: Beryllium Copper, Nickel Plated.

Insulation: Polypropylene Molded to the Plug Bodies and Cable. Color Matches Color of Cable.

Cable: RG-58C/U .195 (5,0) O.D., Color: Black, Marking: POMONA 2BC-PP-XX

Molded Breakout: PVC Molded to the Breakout Leads and Cable. Color Matches Color of Cable.

Breakout Leads: 20 AWG Stranding 41 x 36 t.c., PVC Insulated, .087 (2,21) O.D. Color Matches Color of of Pin Tip Plug.

#### Single Pin Tip Plugs:

Bodies: Brass, Gold Plated.

Stack-up Springs – Beryllium Copper, Gold Plated over Electroless Nickel.

Insulation: Polypropylene Molded to Pin Tip Bodies and Wire. Color: One Black and One Red.

### RATINGS:

Operating Temperature: +50°C Max.

Operating Voltage: 1400 VRMS.

### ORDERING INFORMATION: Model 2BC-PP-XX

XX = Cable Length, Standard Lengths: 36" (91,44cm), 48" (121,92cm) 60" (152,4cm).

Additional

Lengths can be quoted upon request.

Ordering Example: 2BC-PP-36 Cable Assembly is 36" (60,96cm)

All dimensions are in inches. Tolerances (except noted): .xx = ±.02" (.51 mm), .xxx = ±.005" (.127 mm).

All specifications are to the latest revisions. Specifications are subject to change without notice.

Registered trademarks are the property of their respective companies. Made in USA