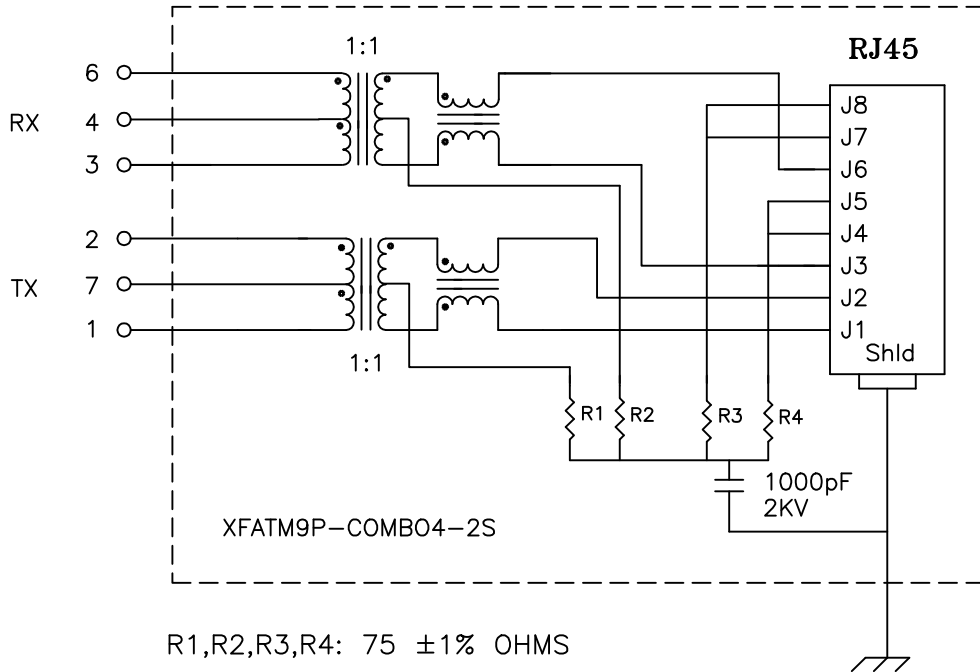


## Schematic:



## Electrical Specifications: @25°C

Isolation Voltage: 1500 Vac

Isolation Voltage: 500 Vac (1+2+4-3+6+7)

UTP SIDE OCL: 350uH Min @100KHz 100mV 8mADC

Rise Time (10-90%): 2.5ns Typical

Insertion Loss (300KHz-100MHz): -1.1dB Maximum

Insertion Loss (100MHz-125MHz): -1.5dB Maximum

Return Loss: -12dB Typical @300KHz - 100MHz

Crosstalk:

100KHz-60MHz -40dB Typical

60MHz-100MHz -38dB Typical

Common Mode to Differential Mode Rejection:

1MHz-100MHz -30dB Typ (Tx) / -30dB Typ (Rx)

200MHz -20dB Typ (Tx) / -20dB Typ (Rx)

### Notes:

1. Solderability: Leads shall meet MIL-STD-202, Method 208D for solderability.
2. Flammability: UL94V-0
3. ASTM oxygen index: > 28%
4. Insulation System: Class F 155°C. UL file E151556
5. Operating Temperature Range: -40°C to +85°C

**XFMRs Inc.**

Title:

**QUAD PORT COMBO**

UNLESS OTHERWISE SPECIFIED

P/N: XFATM9P-COMBO4-2S

REV. A

TOLERANCES:

DWN.

李小锋

Jan-21-03

.xxx ±0.010

CHK.

廖玉坤

Jan-21-03

Dimensions in Inch

APP.

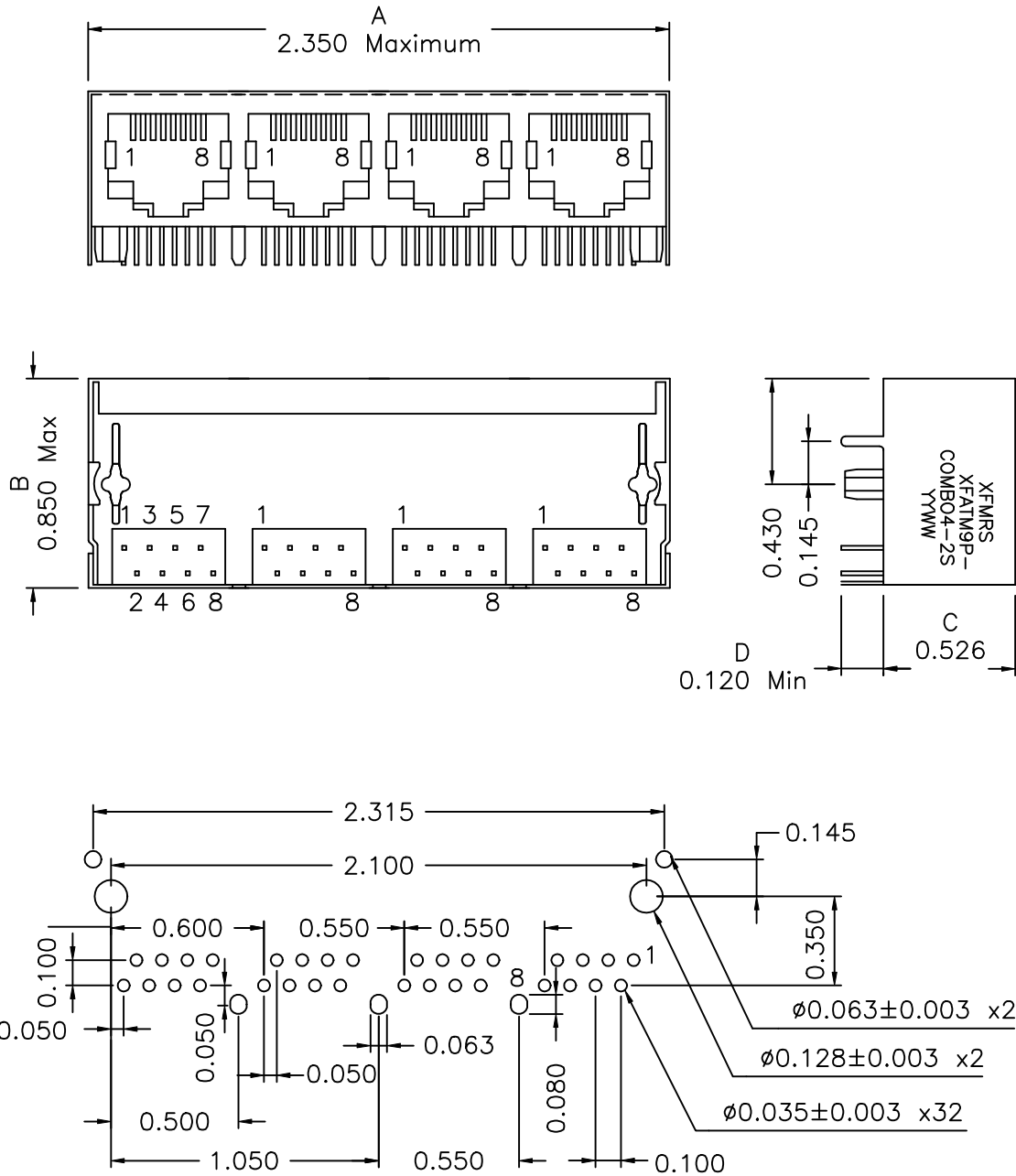
BW

Jan-21-03

SHEET 1 OF 2

DOC. REV: A/1

# Mechanical Dimensions: (FOR COMB04-4S)



SUGGESTED MOUNTING PATTERN

DOC. REV: A/1

<b>XFMRs Inc.</b>	Title: Mechanical Dimensions For COMB04-2S Series		
	UNLESS OTHERWISE SPECIFIED TOLERANCES: .xxx ±0.010 Dimensions in Inch	P/N: XFATM9P-COMB04-2S	REV. A
SHEET 2 OF 2	DWN.	廖玉坤	Jan-21-03
	CHK.	李清儿	Jan-21-03
	APP.	BW	Jan-21-03