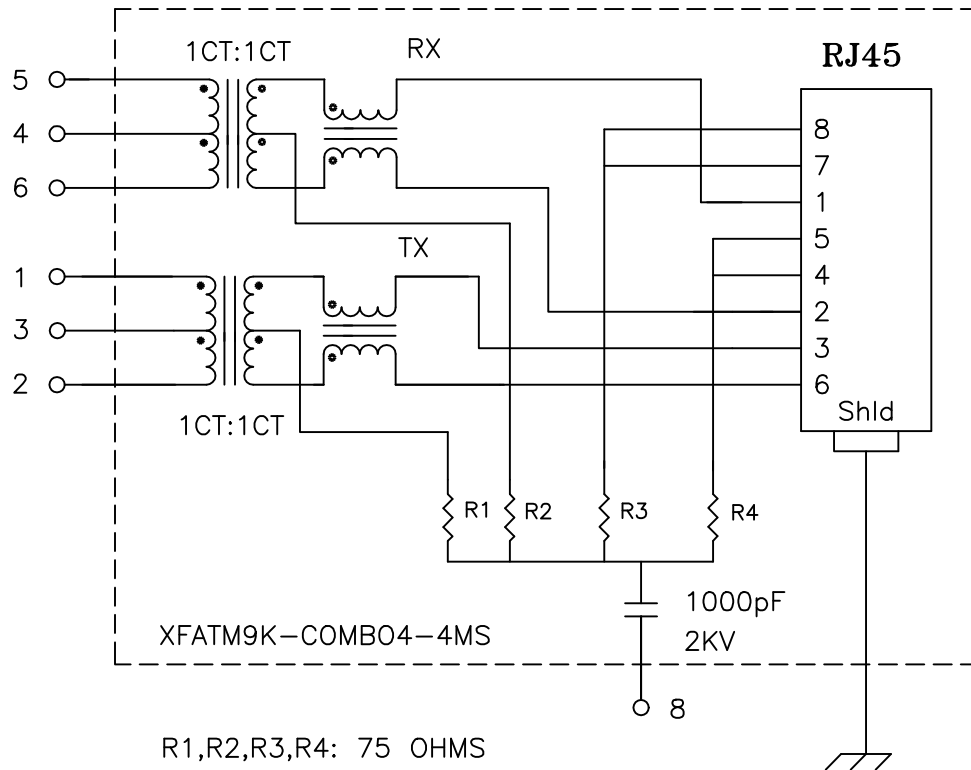


Schematic:



Electrical Specifications: @25°C

- Isolation Voltage: 1500 Vrms (Input to Output)
- Isolation Voltage: 500 Vrms (P1+2+3 to P4+5+6)
- Turns Ratio: TX 1CT:1CT ±3% RX 1CT:1CT ±3%
- CABLE SIDE OCL: 350uH Minimum @100KHz 100mV 8mADC
- Cw/w: 27pF Typical @100KHz 100mV
- Insertion Loss (300KHz-100MHz): -1.0dB Minimum
- Return Loss: @30MHz -18dB Minimum
- @80MHz -12dB Minimum

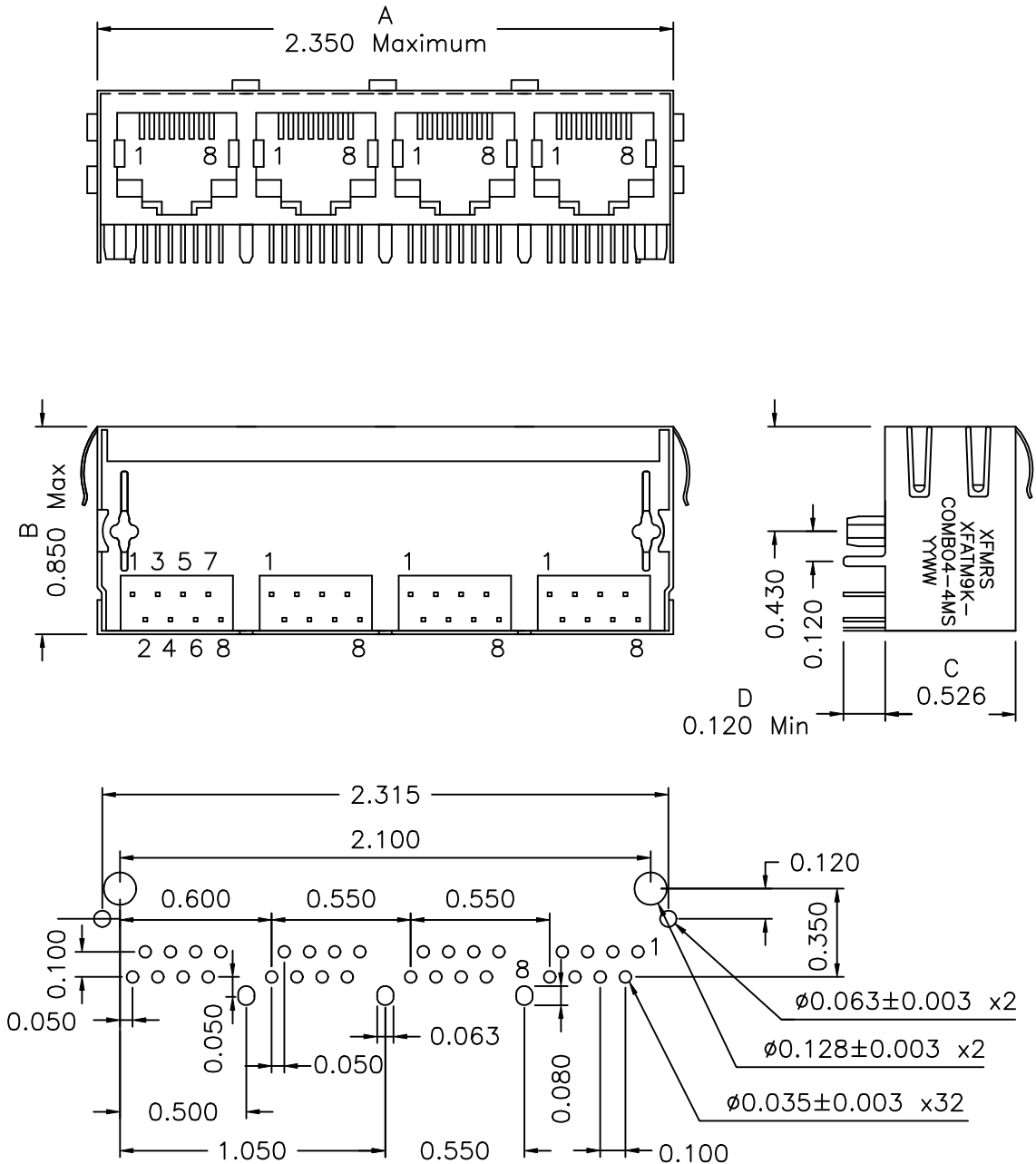
Notes:

1. Solderability: Leads shall meet MIL-STD-202, Method 208D for solderability.
2. Flammability: UL94V-0
3. ASTM oxygen index: > 28%
4. Temperature rating: 155°C. UL file E151556
5. Operating Temperature Range: -40°C to +85°C

XFMRs Inc.	Title: FOUR PORT COMBO		
	UNLESS OTHERWISE SPECIFIED		P/N: XFATM9K-COMBO4-4MS
TOLERANCES: .xxx ±0.010	DWN.	廖玉坤	Sep-18-02
Dimensions in Inch	CHK.	李清儿	Sep-18-02
SHEET 1 OF 2	APP.	BW	Sep-18-02

DOC. REV: A/1

Mechanical Dimensions: (FOR COMB04-4MS)



SUGGESTED MOUNTING PATTERN

XFMRs Inc.	Title: Mechanical Dimensions For COMB04-4MS Series		
	UNLESS OTHERWISE SPECIFIED TOLERANCES: .xxx ±0.010 Dimensions in Inch	P/N: XFATM9K-COMB04-4MS	REV. A
DOC. REV: A/1	SHEET 2 OF 2	DWN. 李小锋	Sep-18-02
		CHK. 廖玉坤	Sep-18-02
		APP. BW	Sep-18-02