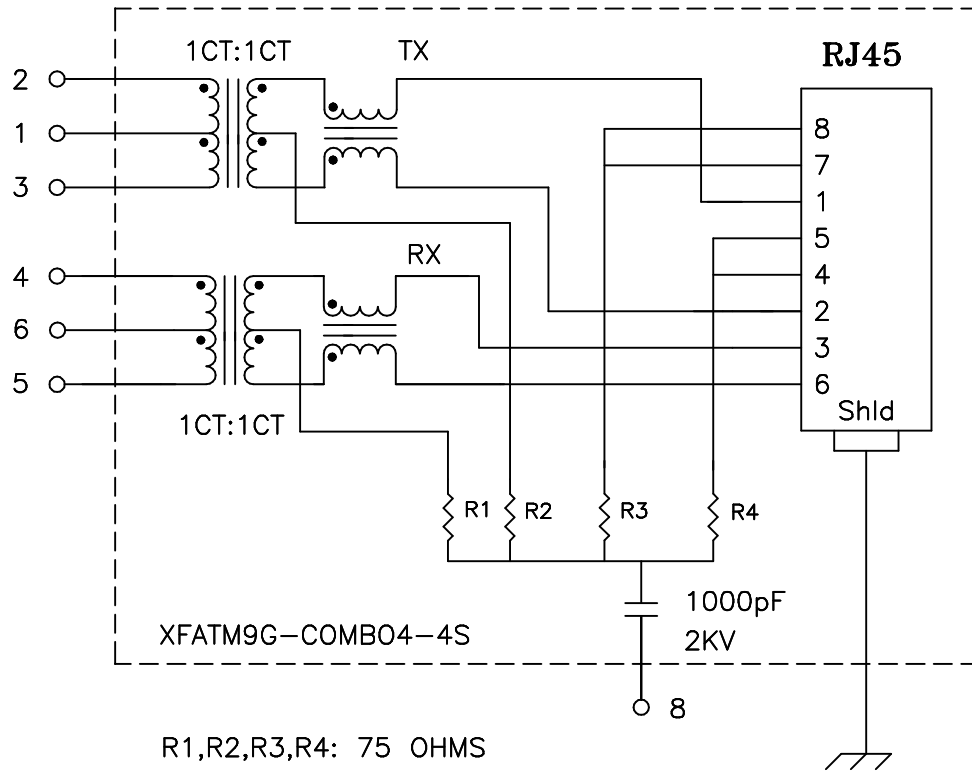


Schematic:



Electrical Specifications: @25°C

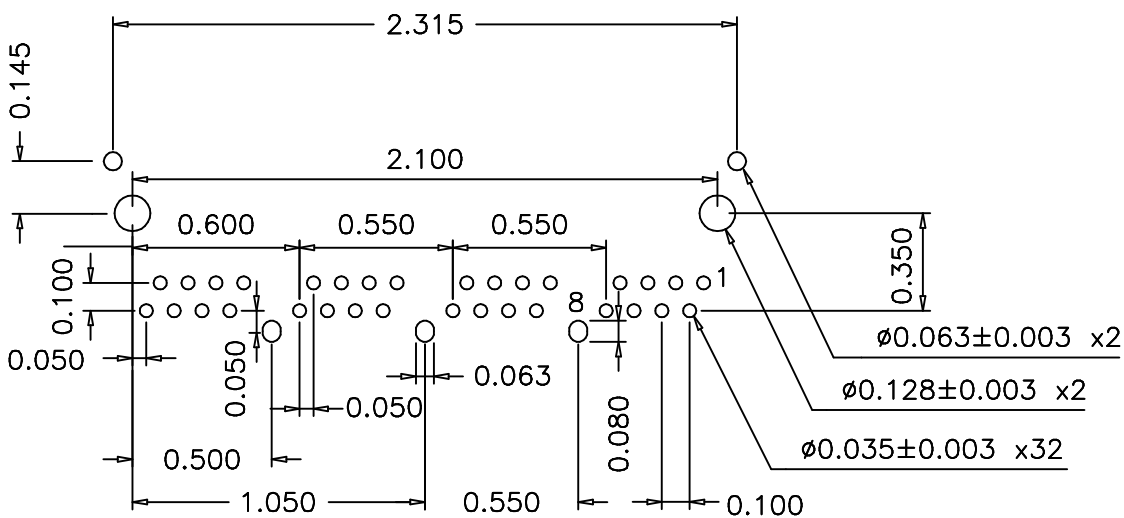
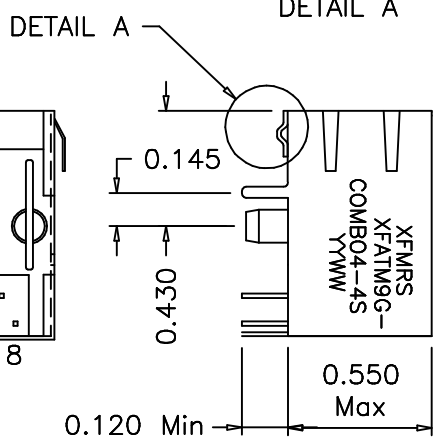
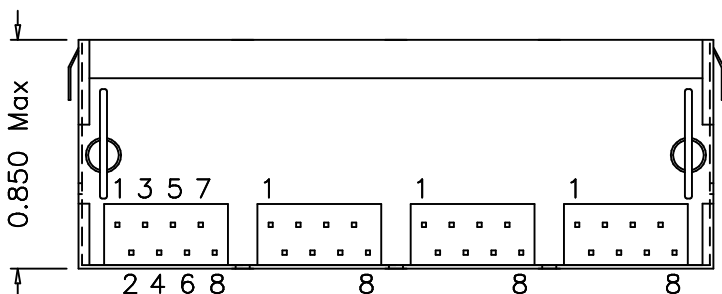
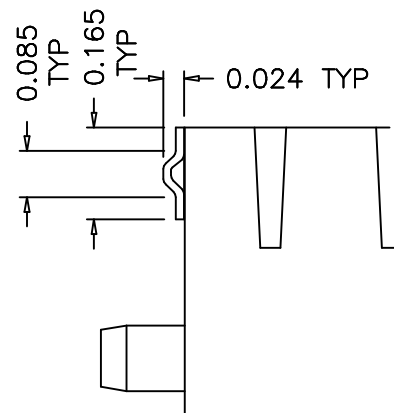
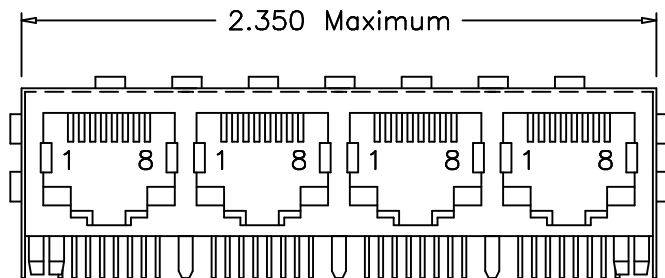
- Isolation Voltage: 1500 Vrms (Input to Output)
- Isolation Voltage: 500 Vrms (P1+2+3 to P4+5+6)
- Turns Ratio: TX 1CT:1CT ±3% RX 1CT:1CT ±3%
- CABLE SIDE OCL: 350uH Minimum @100KHz 100mV 8mADC
- Cw/w: 27pF Typical @100KHz 100mV
- Insertion Loss (300KHz-100MHz): -1.0dB Minimum
- Return Loss: @30MHz -18dB Minimum
- @80MHz -12dB Minimum

Notes:

1. Solderability: Leads shall meet MIL-STD-202, Method 208D for solderability.
2. Flammability: UL94V-0
3. ASTM oxygen index: > 28%
4. Temperature rating: 155°C. UL file E151556
5. Operating Temperature Range: -40°C to +85°C

XFMRs Inc.	Title: FOUR PORT COMBO		
UNLESS OTHERWISE SPECIFIED TOLERANCES: .xxx ±0.010 Dimensions in Inch	P/N: XFATM9G-COMBO4-4S		REV. A
	DWN.	廖玉坤	Feb-13-02
	CHK.	李清儿	Feb-13-02
	APP.	Isaiah M	Feb-13-02
SHEET 1 OF 2			

Mechanical Dimensions: (FOR COMB04-4MS)



SUGGESTED MOUNTING PATTERN

DOC. REV: A/1

XFMRs Inc.	Title: Mechanical Dimensions For COMB04-4S Series	
UNLESS OTHERWISE SPECIFIED TOLERANCES: .xxx ±0.010 Dimensions in Inch SHEET 2 OF 2	P/N: XFATM9G-COMB04-4S	REV. A
	DWN. 廖玉坤	Feb-13-02
	CHK. 李清儿	Feb-13-02
	APP. Isaiah M	Feb-13-02