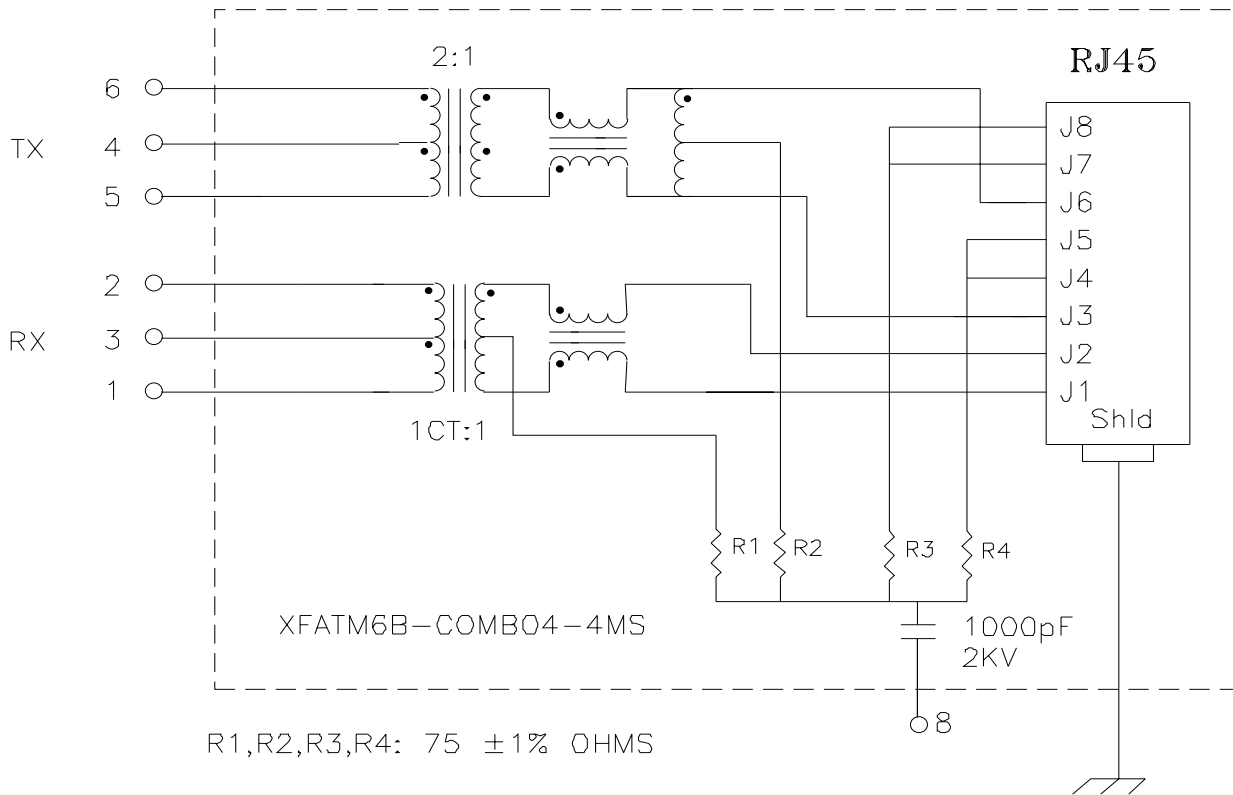


## Schematic:



## Electrical Specifications: @25°C

Isolation Voltage: 1500 Vac

Isolation Voltage: 500 Vac (6+7+8-2+3+4)

UTP SIDE OCL: 350uH Min @100KHz 100mV 8mADC

Rise Time (10-90%): 2.5ns Typical

Insertion Loss (300KHz-100MHz): -1.1dB Maximum

Insertion Loss (100MHz-125MHz): -1.5dB Maximum

Return Loss: -12dB Typical @300KHz - 100MHz

Crosstalk:

100KHz-60MHz -40dB Typical

60MHz-100MHz -38dB Typical

Common Mode to Differential Mode Rejection:

100KHz-60MHz -45dB Typ (Tx) / -40dB Typ (Rx)

60MHz-100MHz -40dB Typ (Tx) / -35dB Typ (Rx)

**XFMRs Inc.**

Title:

**QUAD PORT COMBO**

UNLESS OTHERWISE SPECIFIED

P/N: XFATM6B-COMBO4-4MS

REV. A

TOLERANCES:

DWN.

BW

Jun-28-00

.xxx ±0.010

CHK.

Joe Huff

Jun-28-00

Dimensions in Inch

APP.

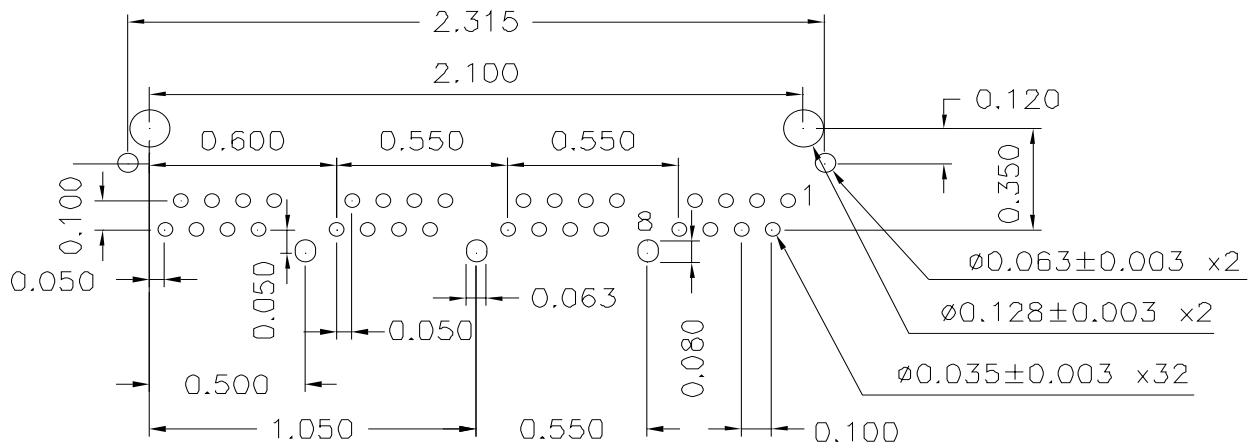
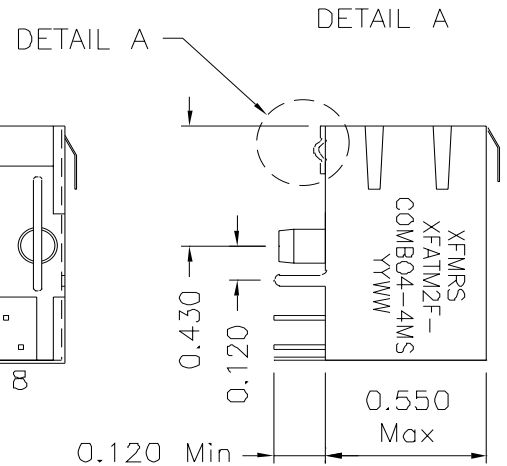
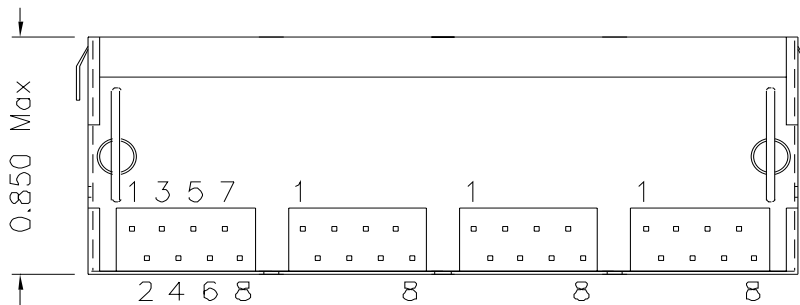
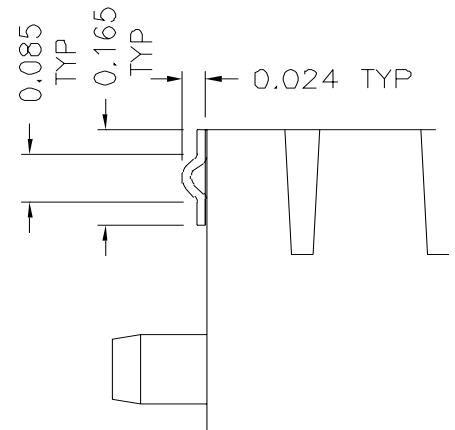
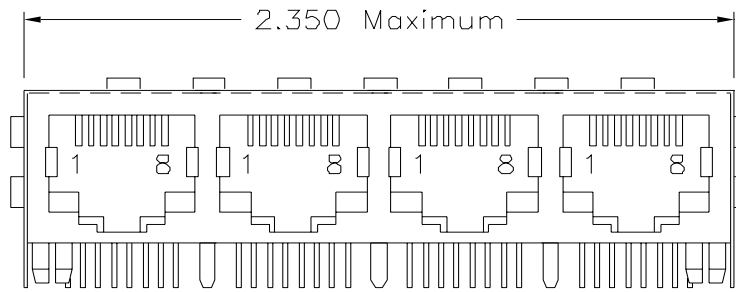
AEI

Jun-28-00

SHEET 1 OF 2

DOC. REV: A/1

# Mechanical Dimensions: (FOR COMBO4-4MS)



SUGGESTED MOUNTING PATTERN

<b>XFMRs Inc.</b> UNLESS OTHERWISE SPECIFIED TOLERANCES: .xxx ±0.010 Dimensions in Inch SHEET 2 OF 2	Title: Mechanical Dimensions For COMBO4-4MS Series	
	P/N: XFATM6B-COMBO4-4MS	REV. A
	DWN, BW	Jun-28-00
	CHK, JOE HUFF	Jun-28-00
	APP, AEI	Jun-28-00