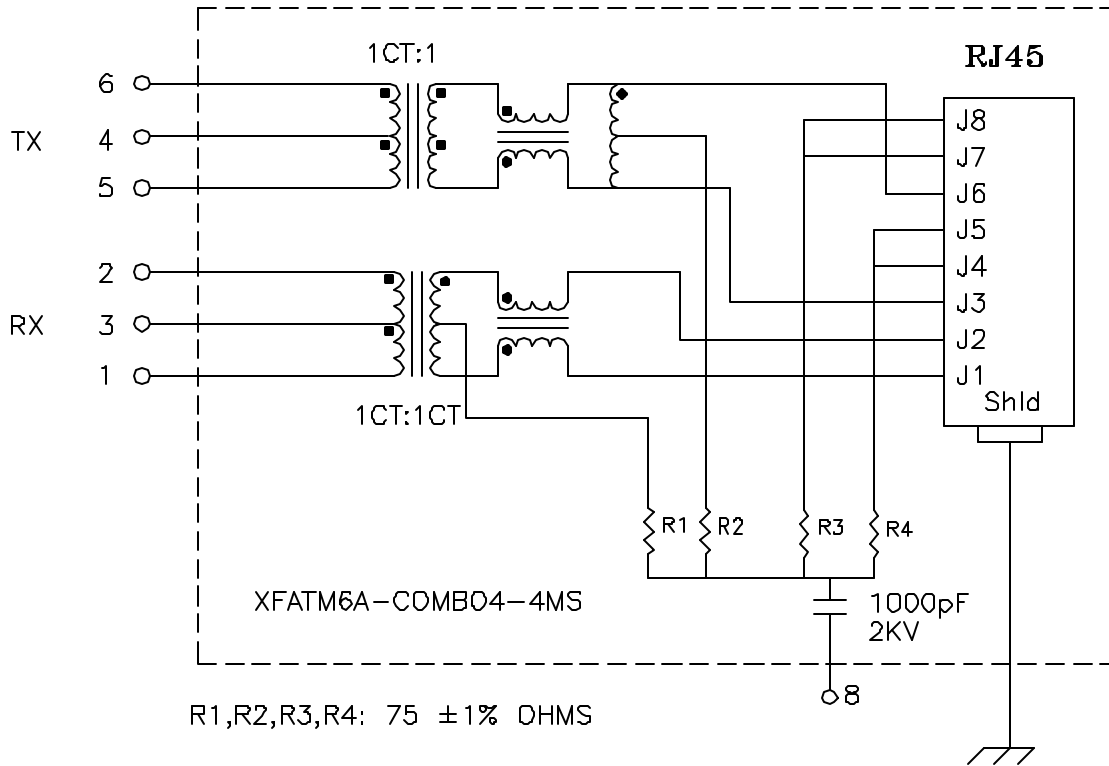


Schematic:



Electrical Specifications: @25°C

Isolation Voltage: 1500 Vac
 Isolation Voltage: 500 Vac (6+5+4-3+2+1)
 UTP SIDE OCL: 350uH Min @100KHz 100mV 8mADC
 Rise Time (10-90%): 2.5ns Typical
 Insertion Loss (300KHz-100MHz): -1.1dB Maximum
 Insertion Loss (100MHz-125MHz): -1.5dB Maximum
 Return Loss: -12dB Typical @300KHz - 100MHz
 Crosstalk:
 100KHz-60MHz -40dB Typical
 60MHz-100MHz -38dB Typical
 Common Mode to Differential Mode Rejection:
 100KHz-60MHz -45dB Typ (Tx) / -40dB Typ (Rx)
 60MHz-100MHz -40dB Typ (Tx) / -35dB Typ (Rx)

Note:

1. Solderability Leads shall meet MIL-STD-202, Method 208D for solderability.
2. Flammability: UL94V-0,
3. ASTM oxygen index: > 28% ,
4. Temperature rating: 155°C. UL file E151556,
5. Operating Temperature Range: 0°C to +70°C

XFMRs Inc.

Title: Mechanical Dimensions
For COMBO4-4MS Series

UNLESS OTHERWISE SPECIFIED
TOLERANCES:
.xxx ±0.010
Dimensions in Inch
SHEET 1 OF 2

P/N: XFATM6A-COMBO4-4MS

REV. A

DWN.

罗振江

May-05-03

CHK.

廖玉坤

May-05-03

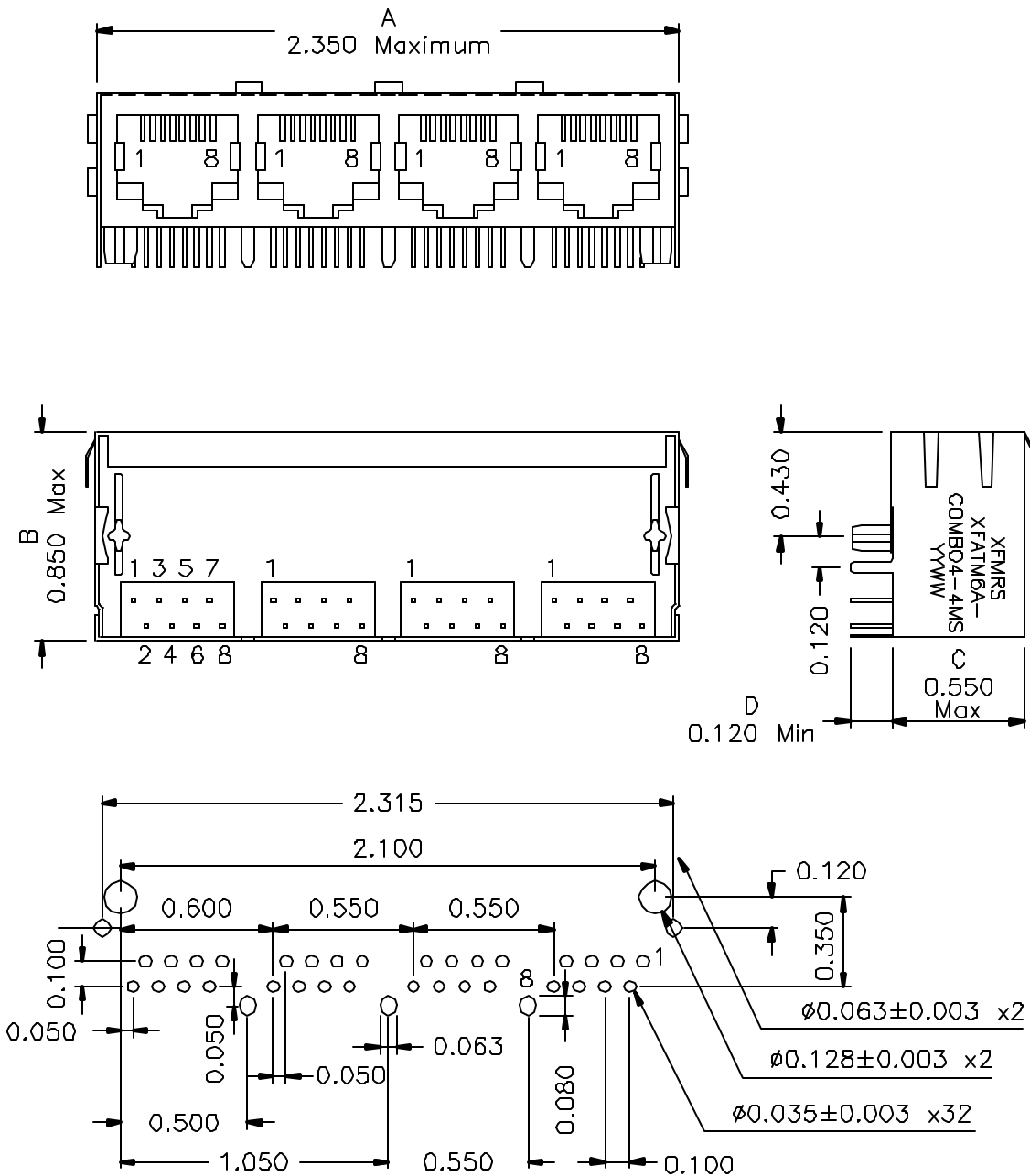
APP.

BW

May-05-03

DOC. REV: A/2

Mechanical Dimensions: (FOR COMB04-4MS)



SUGGESTED MOUNTING PATTERN

DOC. REV: A/2

XFMR5 Inc. UNLESS OTHERWISE SPECIFIED TOLERANCES: .xxx ±0.010 Dimensions in Inch	Title: Mechanical Dimensions For COMB04-4MS Series		
	P/N: XFATM6A-COMB04-4MS	REV. A	
	DWN.	罗振江	May-05-03
	CHK.	廖玉坤	May-05-03
SHEET 2 OF 2	APP.	BW	May-05-03