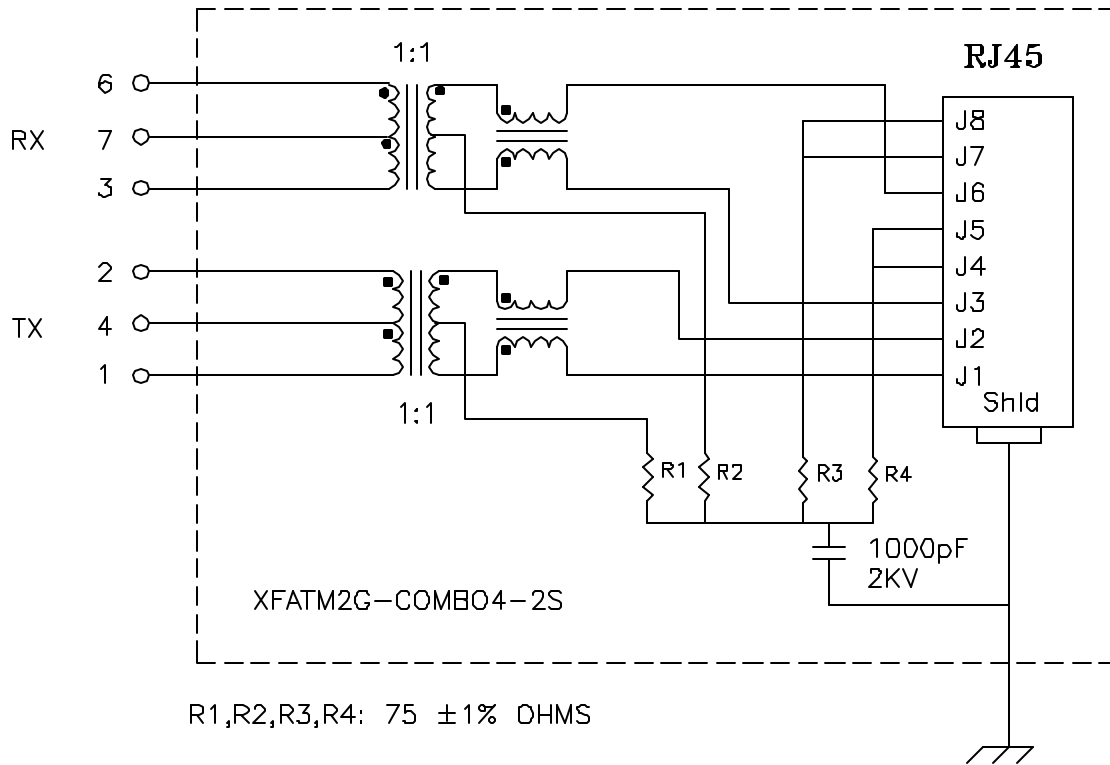


**Schematic:**

(ONE OF FOUR)



R1,R2,R3,R4: 75 ±1% OHMS

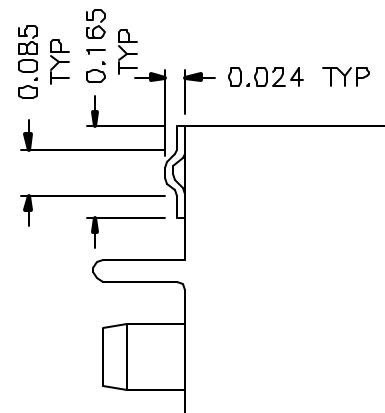
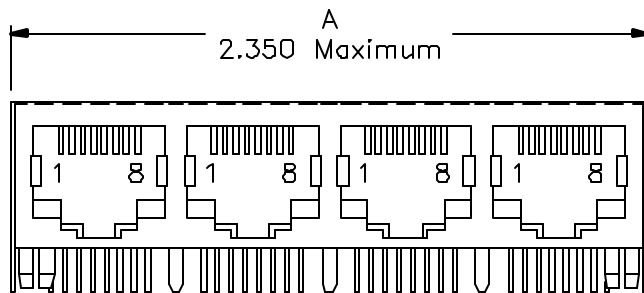
**Electrical Specifications: @25°C**

- Isolation Voltage: 1500 Vac
- Isolation Voltage: 500 Vac (1+2+3+5+6+7)
- UTP SIDE OCL: 350uH Min @100KHz 100mV 8mADC
- Rise Time (10-90%): 2.5ns Typical
- Insertion Loss (300KHz-100MHz): -1.1dB Maximum
- Insertion Loss (100MHz-125MHz): -1.5dB Maximum
- Return Loss: -12dB Typical @300KHz - 100MHz
- Crosstalk:
  - 100KHz-60MHz -40dB Typical
  - 60MHz-100MHz -38dB Typical
- Common Mode to Differential Mode Rejection:
  - 1MHz-100MHz -30dB Typ (Tx) / -30dB Typ (Rx)
  - 200MHz -20dB Typ (Tx) / -20dB Typ (Rx)

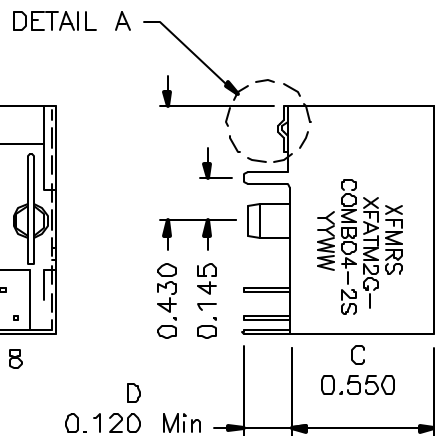
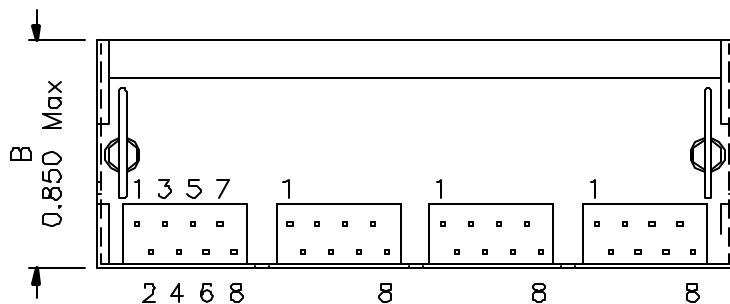
DOC. REV: A/1

<p><b>XFMRs Inc.</b></p> <p>UNLESS OTHERWISE SPECIFIED</p> <p>TOLERANCES:</p> <p>.xxx ±0.010</p> <p>Dimensions in Inch</p> <p>SHEET 1 OF 2</p>	Title:		<b>QUAD PORT COMBO</b>
	XFATM2G-COMBO4-2S		REV. A
	DWN.	廖玉坤	Mar-21-01
	CHK.	李清儿	Mar-21-01
	APP.	BW	Mar-21-01

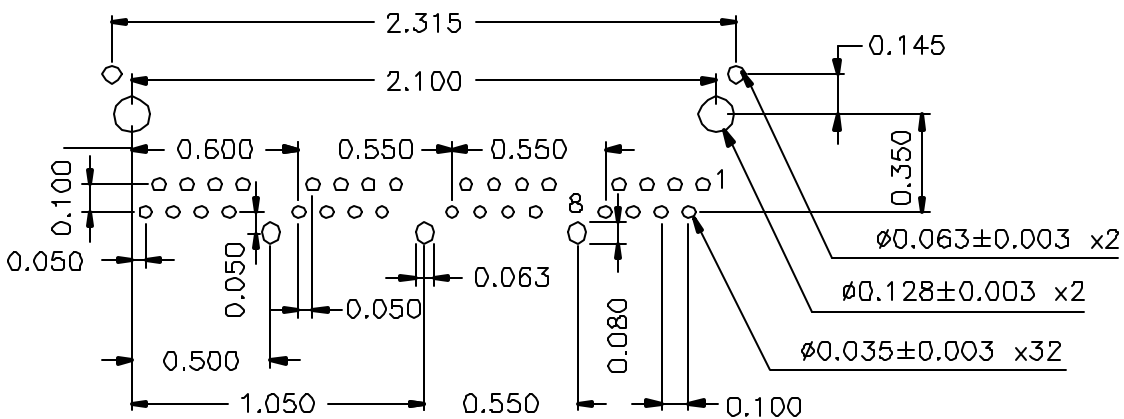
# Mechanical Dimensions: (FOR COMB04-4S)



DETAIL A



Max



SUGGESTED MOUNTING PATTERN

DOC. REV: A/1

<b>XFMRs Inc.</b> UNLESS OTHERWISE SPECIFIED TOLERANCES: .xxx ±0.010 Dimensions in Inch SHEET 2 OF 2	Title: Mechanical Dimensions For COMB04-2S Series		
	P/N: XFATM2G-COMB04-2S		REV. A
	DWN.	廖玉坤	Mar-21-01
	CHK.	李清儿	Mar-21-01
APP.	BW	Mar-21-01	