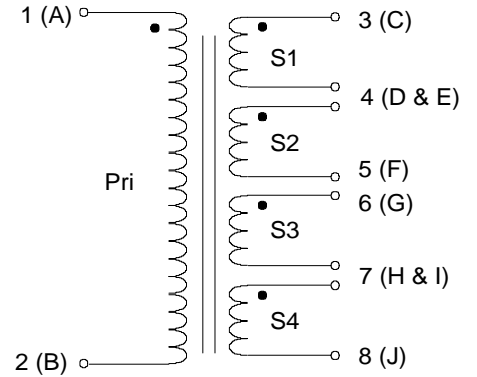


PARAMETER		UNITS
Primary Impedance	600	Ω
Turns Ratio*	1.0 : 0.5 : 0.5 : 0.5 : 0.5	
Longitudinal Balance		dB
Primary DC Resistance*	49	Ω nom.
Secondary DC Resistance*	62	Ω nom.
Frequency Response 300 - 3000Hz	0.3	dB nom.
Insertion Loss	1.5	dB nom.
Isolation (HI-POT)	800	V_{RMS}
Insulation Resistance		M Ω
Primary DC	0	mA

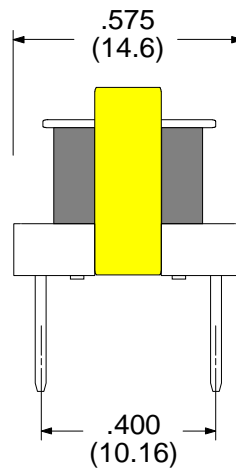
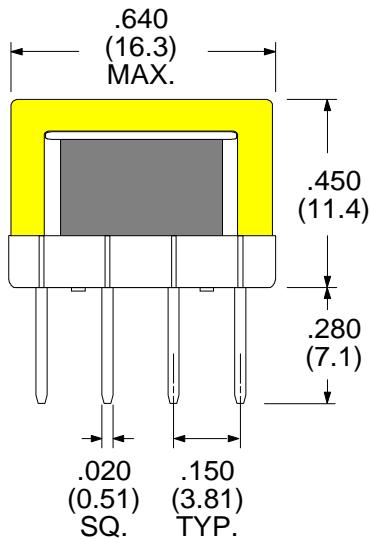
T-980

SCHEMATIC DIAGRAM:

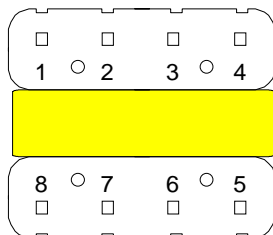


S1 & S2 share pin #4
S3 & S4 share pin #7

*two secondaries in series



Physical Dimensions
in inches (mm)



RHOMBUS INDUSTRIES INC. FSCM NO. 16714

RHOMBUS P/N: T-980

CUST P/N:

NAME:

DATE: 12/17/97

SHEET: 1 OF 1