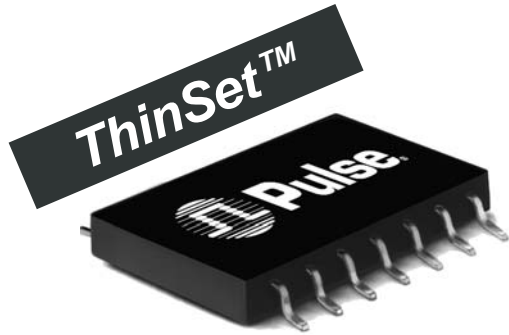


LOW PROFILE SURFACE MOUNT 10BASE-T INTERFACE MODULES

Ideal for Type I or Type II PCMCIA Applications

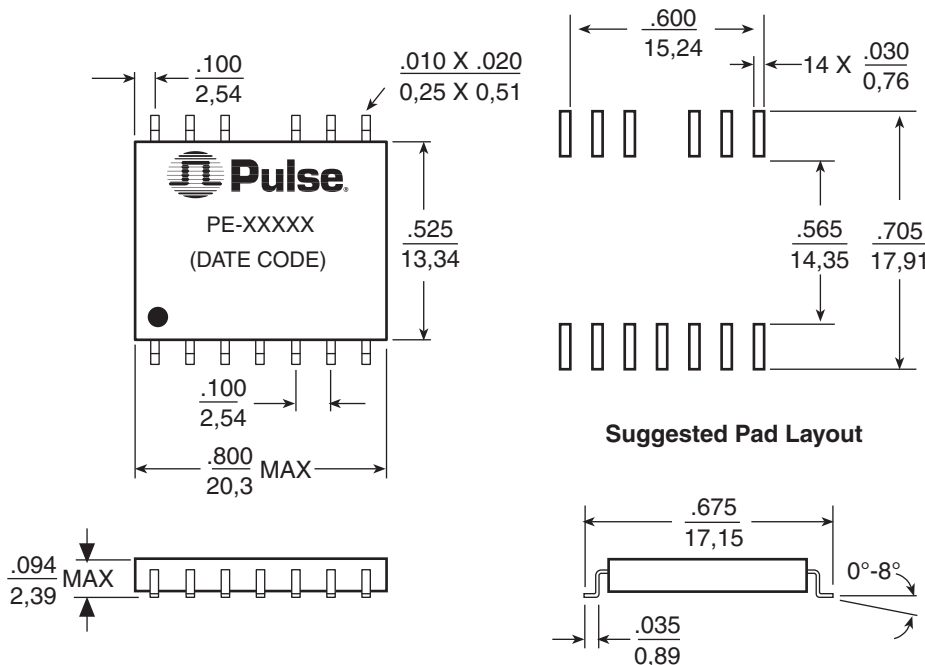


- ➊ Designed to exceed IEEE802.3i-1993
- ➋ Improved performance for FCC and CISPR Class B certification
- ➌ 235°C peak IR Reflow temperature Rating

Electrical Specifications @ 25°C — Operating Temperature 0°C to 70°C

Part Number	Insertion Loss* (dB MAX)	Attenuation (XMT) (dB MIN)				Return Loss (dB MIN)	Crosstalk (dB MIN)	Common Mode Rejection (XMT) (dB MIN)				Hipot (VRMS MIN)
		1-10 MHz	30 MHz	50 MHz	100 MHz			5-10 MHz	5-10 MHz	10 MHz	50 MHz	
PE-68032	-1.2	-35	-35	-40	-18	-50	-60	-40	-35	-30	2000	
PE-68034	-5.0	-35	-35	-40	-18	-50	-55	-40	-35	-30	2000	
PE-68035	-5.0	-35	-35	-40	-18	-50	-55	-45	-35	-30	2000	
PE-68036	-5.0	-30	-30	-40	-18	-50	-55	-40	-35	-30	2000	

*Test includes pre-distortion resistors, which reflect additional attenuation.



Dimensions: $\frac{\text{Inches}}{\text{mm}}$
Unless otherwise specified,
all tolerances are $\pm \frac{.010}{0.25}$

Weight 1.5 grams
Tape & Reel600/reel
Tube25/tube

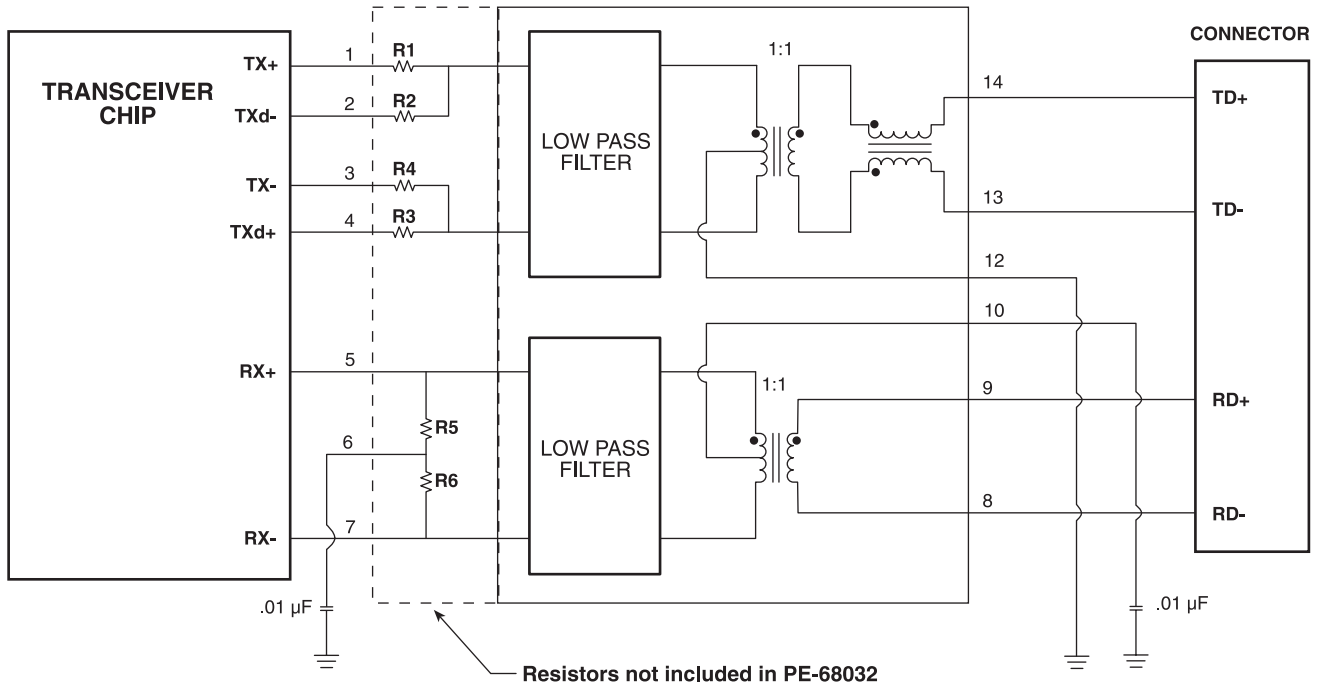
LOW PROFILE SURFACE MOUNT 10BASE-T INTERFACE MODULES

Ideal for Type I or Type II PCMCIA Applications



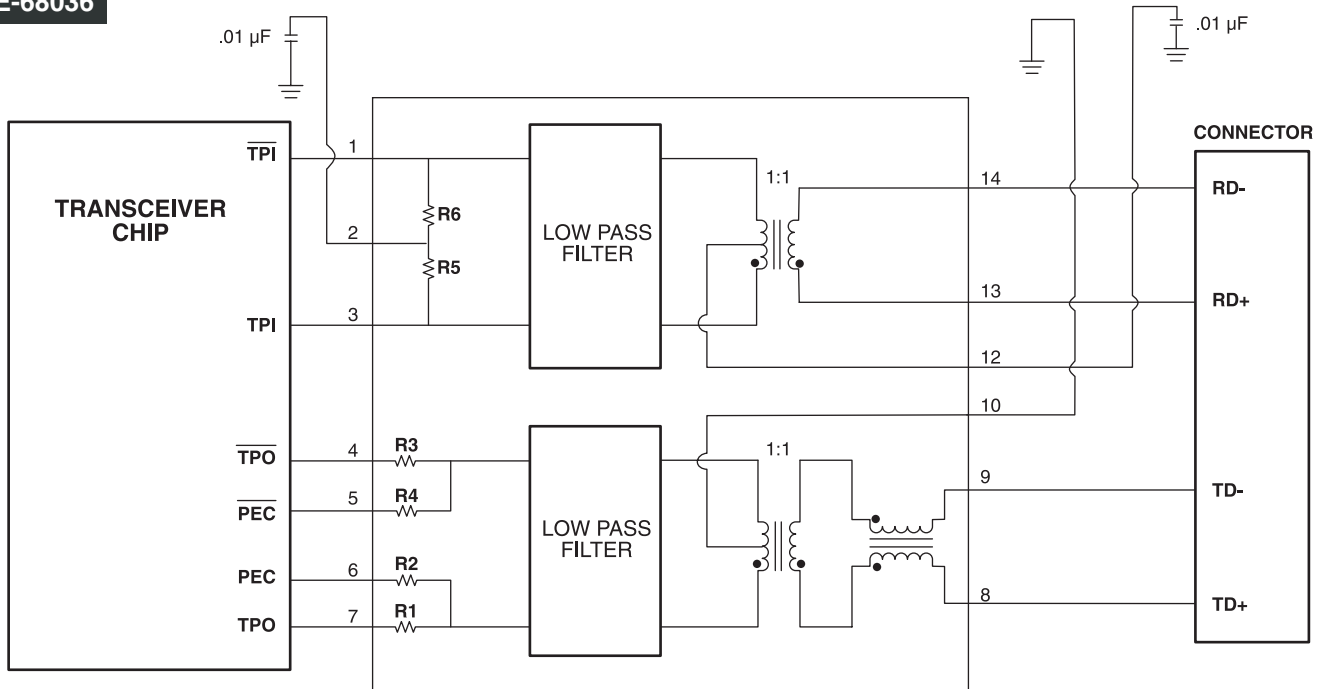
Application Circuit - A

PE-68032 or PE-68035



Application Circuit - B

PE-68036

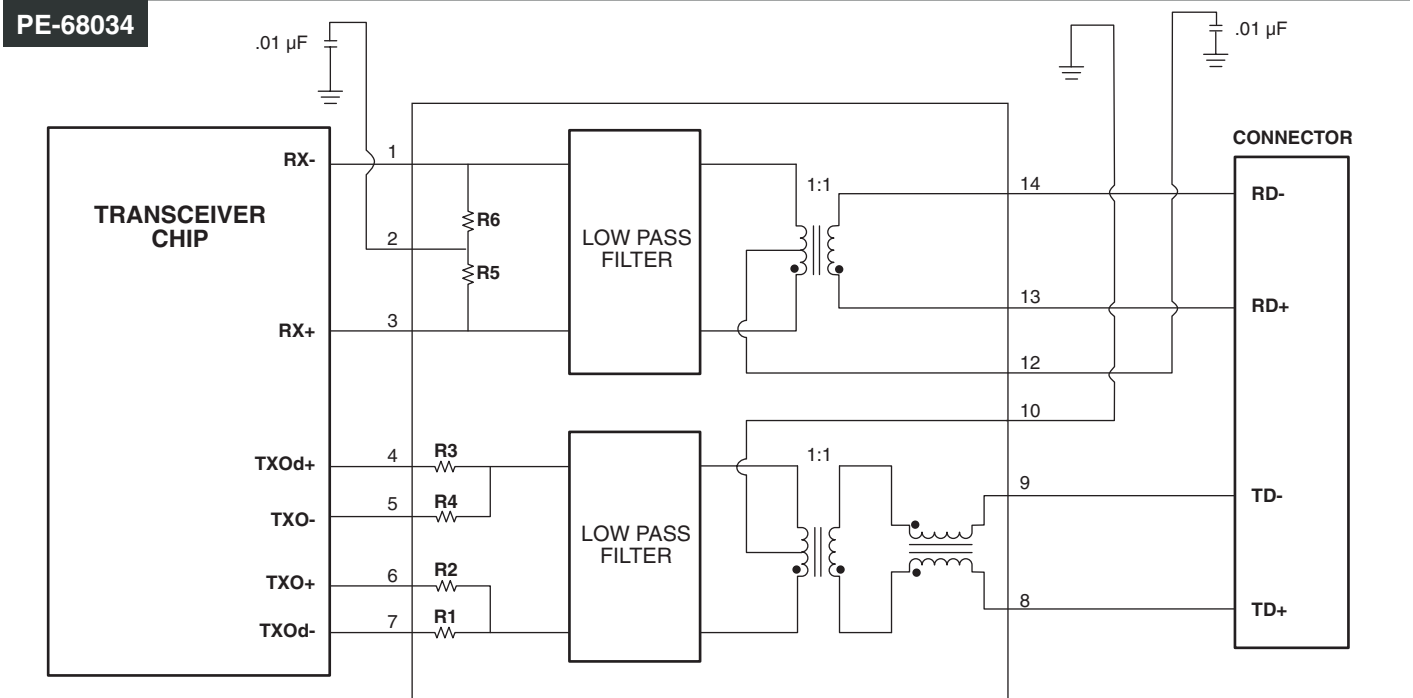


LOW PROFILE SURFACE MOUNT 10BASE-T INTERFACE MODULES

Ideal for Type I or Type II PCMCIA Applications



Application Circuit - C



Resistor Chart

Product Number	Resistor Number	Resistor Value	IC	IC Number	Application Circuit
PE-68032	NONE	N/A	Most	N/A	A
PE-68034	R1, R3	287 Ω \pm 1%	National	DP83902VJG DP83934	C
	R2, R4	68.1 Ω \pm 1%			
	R5, R6	49.9 Ω \pm 1%			
PE-68035	R1, R4	53.6 Ω \pm 1%	AMD	AM79C96A AM79C940	A
	R2, R3	316 Ω \pm 1%			
	R5, R6	49.9 Ω \pm 1%			
PE-68036	R1, R3	47.5 Ω \pm 1%	Motorola	MC68160	B
	R2, R4	N/A			
	R5, R6	49.9 Ω \pm 1%			

LOW PROFILE SURFACE MOUNT 10BASE-T INTERFACE MODULES

Ideal for Type I or Type II PCMCIA Applications



Application

Pulse's ThinSet™ 10Base-T modules are the optimum analog solution for PCMCIA applications. Primary design features include electrical functions, mechanical packaging and process standards.

Electrical Functions

• Impedance Matching • Equipment Isolation • EMI suppression

Each module contains low pass filters, isolation transformers, and common mode chokes. Most also include pre-emphasis and impedance matching resistors. Please refer to the appropriate application circuit and resistor chart for specific configurations.

Mechanical Packaging

• Dimensions • External Features • Internal Construction

The low .094" profile allows for use in both Type I and Type II applications. ThinSet™ modules are highly integrated to keep a compact form factor for improved thermal management. Compliant leads provide excellent solder-joint reliability with $\pm .002$ " coplanarity. Advanced mechanical design yields more consistent and repeatable electrical performance.

Process Standards

• SMT requirements • Quality Assurance • Construction Methods

Materials, resistant to high temperatures, have been selected for thermal compatibility to comply with industry standard reflow methods. Post dipping the leads helps ensure solderability to the PC board. Improved construction techniques increase package reliability in high stress environments.

Note:

Modules are packaged in tubes unless tape and reel is specified. Please add the suffix "T" (i.e. PE-68032T) for tape and reel orders, increments of 600 pieces.

For More Information:

Pulse Worldwide Headquarters

12220 World Trade Dr.
San Diego, CA 92128
U.S.A.

www.pulseeng.com

TEL: 858 674 8100
FAX: 858 674 8262

Pulse European Headquarters

Einsteinstrasse 1
71083 Herrenberg
Germany

TEL: 49 7032 7806 0
FAX: 49 7032 7806 12

Pulse China Headquarters

B402, Shenzhen
Tech-Innovation International
10th Kejinan Rd.
High-Tech Industrial Park
Nanshan District, Shenzhen
China

TEL: 86 755 33966678
FAX: 86 755 33966700

Pulse North China

Room 1503
XinYin Building
No. 888 YiShan Road
Shanghai 200233
China

TEL: 86 21 54643211/2
FAX: 86 21 54643210

Pulse South Asia

150 Kampong Ampat
#07-01/02
KA Centre
Singapore 368324

TEL: 65 6287 8998
FAX: 65 6280 0080

Pulse North Asia

No. 26
Kao Ching Road
Yang Mei Chen
Taoyuan Hsien
Taiwan, R. O. C.

TEL: 886 3 4641811
FAX: 886 3 4641911

Performance warranty of products offered on this data sheet is limited to the parameters specified. Data is subject to change without notice. Other brand and product names mentioned herein may be trademarks or registered trademarks of their respective owners.

© Copyright, 2007. Pulse Engineering, Inc. All rights reserved.