

PLEASE CHECK WWW.MOLEX.COM FOR LATEST PART INFORMATION

Part Number: [0398800510](#)
Status: **Active**
Description: 5.08mm (.200") Pitch Beau™ Eurostyle™ Low Profile, Two Level Terminal Block, Modular, 10 Circuits

Documents:

[3D Model](#) [RoHS Certificate of Compliance \(PDF\)](#)
[Drawing \(PDF\)](#)

Agency Certification

CSA LR25562
 UL E48521

General

Product Family Terminal Blocks
 Series [39880](#)
 Application Wire-to-Board
 Component Type One Piece
 Product Literature Order No USA-263
 Product Name Eurostyle™ Multi-Level
 Type Euro Block

Physical

Circuits (Loaded) 10
 Entry Angle Horizontal
 Flammability 94V-0
 Lock to Mating Part None
 Number of Rows 2
 Orientation Vertical
 PC Tail Length (in) 0.140 In
 PC Tail Length (mm) 3.50 mm
 PCB Retention None
 PCB Thickness Recommended (in) 0.093 In
 PCB Thickness Recommended (mm) 2.40 mm
 Panel Mount No
 Pitch - Mating Interface (in) 0.200 In
 Pitch - Mating Interface (mm) 5.08 mm
 Pitch - Term. Interface (in) 0.200 In
 Pitch - Term. Interface (mm) 5.08 mm
 Polarized to Mating Part N/A
 Shrouded Fully
 Stackable Yes
 Temperature Range - Operating 110°C
 Wire Size AWG 16, 18, 20, 22, 24, 26, 28, 30
 Wire Size mm² 0.20 - 1.50

Electrical

Current - Maximum per Contact 13.5A
 Voltage - Maximum 300V

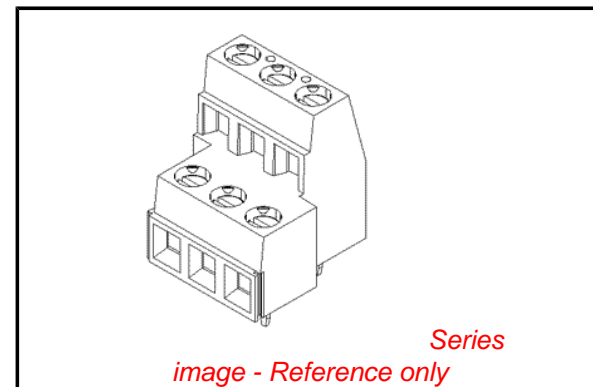
Solder Process Data

Lead-free Process Capability Wave Capable (TH only)

Material Info

Old Part Number 882110

Reference - Drawing Numbers



EU RoHS

ELV and RoHS
Compliant
REACH SVHC
 Not Reviewed
Halogen-Free
Status
Not Reviewed

China RoHS



Need more information on product environmental compliance?

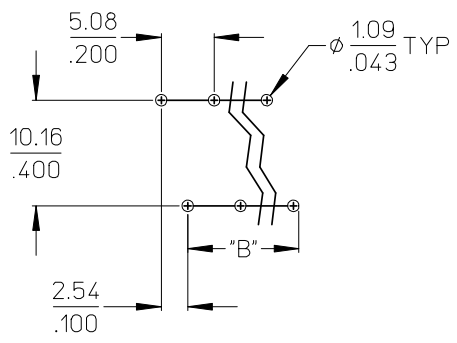
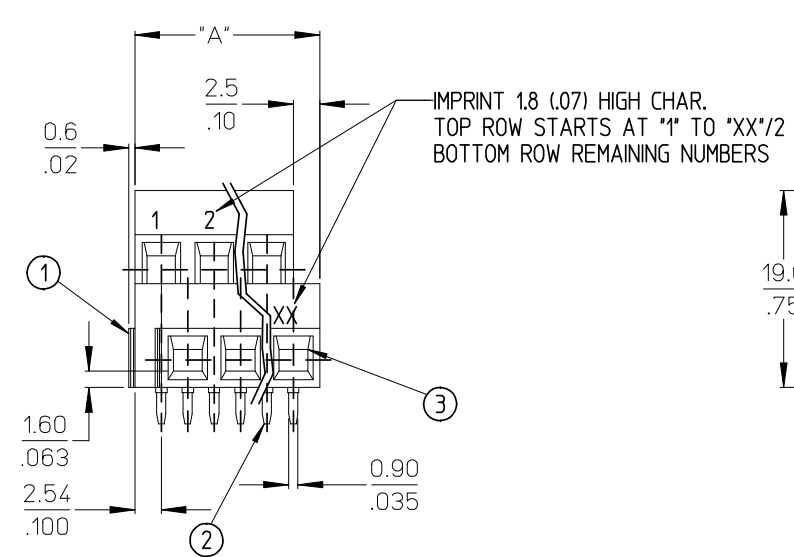
Email productcompliance@molex.com
 For a multiple part number RoHS Certificate of Compliance, [click here](#)

Please visit the [Contact Us](#) section for any non-product compliance questions.

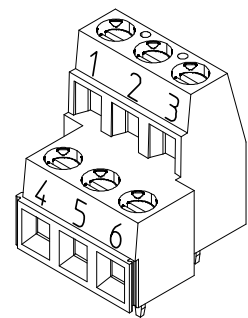
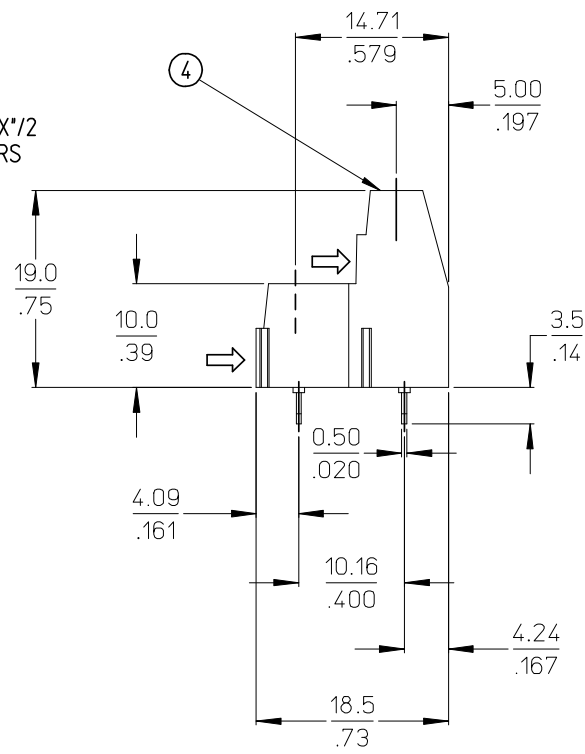
Search Parts in this Series
[39880Series](#)

This document was generated on 04/26/2010

PLEASE CHECK WWW.MOLEX.COM FOR LATEST PART INFORMATION



RECOMMENDED PTH PATTERN



06 CIRCUIT SHOWN

NO. OF CIRC. *XX*	DIM. *A*	DIM. *B*	MATERIAL NO. (BLACK)	MATERIAL NO. (GREEN)	MATERIAL NO. 10A, BLACK
04	12.7 [50]	5.08 [200]	398800504	398804504	
06	17.8 [70]	10.16 [400]	398800506	398804506	
08	22.9 [90]	15.24 [600]	398800508	398804508	
10	27.9 [110]	20.32 [800]	398800510	398804510	398820510
12	33.0 [130]	25.40 [1000]	398800512	398804512	
14	38.1 [150]	30.48 [1200]	398800514	398804514	
16	43.2 [170]	35.56 [1400]	398800516	398804516	
18	48.3 [190]	40.64 [1600]	398800518	398804518	
20	53.3 [210]	45.72 [1800]	398800520	398804520	
22	58.4 [230]	50.80 [2000]	398800522	398804522	
24	63.5 [250]	55.88 [2200]	398800524	398804524	398820524
26	68.6 [270]	60.96 [2400]	398800526	398804526	
28	73.7 [290]	66.04 [2600]	398800528	398804528	
30	78.7 [310]	71.12 [2800]	398800530	398804530	
32	83.8 [330]	76.20 [3000]	398800532	398804532	
34	88.9 [350]	81.28 [3200]	398800534	398804534	
36	94.0 [370]	86.36 [3400]	398800536	398804536	
38	99.1 [390]	91.44 [3600]	398800538	398804538	
40	104.1 [410]	96.52 [3800]	398800540	398804540	
42	109.2 [430]	101.6 [4000]	398800542	398804542	
44	114.3 [450]	106.7 [4200]	398800544	398804544	
46	119.4 [470]	111.76 [4400]	398800546	398804546	
48	124.5 [490]	116.84 [4600]	398800548	398804548	

NOTES:

1. MATERIAL: SEE TABLE
2. FINISHES: SEE TABLE
3. PRODUCT SPECIFICATION: NOT REQUIRED
4. PACKAGING: NOT REQUIRED
5. MATES WITH: NONE
6. *XX* REFERS TO THE QUANTITY OF CIRCUITS.
7. ROHS COMPLIANT

ITEM	QTY.	DESCRIPTION	MATERIAL	ENGINEERING NUMBER
4	XX	SCREW, M3, SLOTTED	BRONZE	NICKEL PLATE
3	XX	CAGE CLAMP	BRASS	NICKEL PLATE
2	XX	TERMINAL, PC	COPPER	TIN PLATE
1	1	INSULATOR	POLYAMIDE	SEE CHART

ADD GREEN OPTION
 EC NO: WNA2008-0180
 DRWN: JENC INAS 2008/05/16
 CH'KD: CYORK 2008/05/21
 APPR: JMACNEIL 2008/05/22

QUALITY SYMBOLS
 ▼=0
 ▽=0

DESCRIPTION
 REV

GENERAL TOLERANCES (UNLESS SPECIFIED)

	mm	INCH
4 PLACES	±---	±---
3 PLACES	±---	±.005
2 PLACES	±0.13	±.01
1 PLACE	±0.3	±---

ANGULAR ± 2 °

DRAFT WHERE APPLICABLE MUST REMAIN WITHIN DIMENSIONS

DIMENSION STYLE: MM/IN

SCALE: 2:1

DESIGN UNITS: INCH

THIRD ANGLE PROJECTION

DRAWN BY: C. YORK DATE: 2004/11/22
 CHECKED BY: R. STONE DATE: 2004/11/22
 APPROVED BY: GHR DATE: 2004/11/22

MATERIAL NO.: SEE CHART
 DOCUMENT NO.: SD-39880-005
 SHEET NO.: 1 OF 1

MOLEX INCORPORATED

THIS DRAWING CONTAINS INFORMATION THAT IS PROPRIETARY TO MOLEX INCORPORATED AND SHOULD NOT BE USED WITHOUT WRITTEN PERMISSION