

TISPPBL3

DUAL FORWARD-CONDUCTING P-GATE THYRISTORS FOR ERICSSON MICROELECTRONICS SUBSCRIBER LINE INTERFACE CIRCUITS (SLIC)



TISPPBL3 Programmable Protector

Overvoltage Protection for listed SLICs

SLIC †§	TISPPBL3
PBL 3762A/2	✓
PBL 3762A/4	✓
PBL 3764A/4	✓
PBL 3764A/6	✓
PBL 3766	✓
PBL 3766/6	✓
PBL 3767	✓
PBL 3767/6	✓
PBL 3860A/1	✓
PBL 3860A/6	✓
PBL 386 10/2	✓
PBL 386 11/2	✓
PBL 386 14/2	✓
PBL 386 15/2	✓
PBL 386 20/2	✓
PBL 386 21/2	✓
PBL 386 30/2	✓
PBL 386 40/2	✓
PBL 386 50/2	✓
PBL 386 61/2	✓
PBL 386 65/2	✓
PBL 387 10/1	✓

§ See Applications Information for earlier SLIC types.

Rated for International Surge Wave Shapes

Wave Shape	Standard	I _{TSP} A
2/10 μs	GR-1089-CORE	100
10/700 μs	ITU-T K.20, K.21, K.45	40
10/1000 μs	GR-1089-CORE	30

How To Order

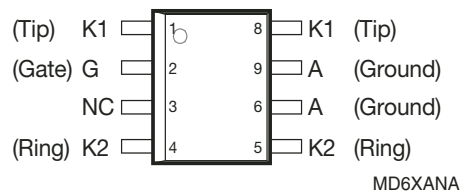
Device	Package	Carrier	For Standard Termination Finish	For Lead Free Termination Finish
			Order As	Order As
TISPPBL3	D (8-pin Small-Outline)	Embossed Tape Reeled	TISPPBL3DR	TISPPBL3DR-S
		Tube	TISPPBL3D	TISPPBL3D-S

† Customers are advised to obtain the latest version of the relevant Ericsson Microelectronics SLIC information to verify, before placing orders, that the information being relied on is current.

*RoHS Directive 2002/95/EC Jan 27 2003 including Annex
Ericsson is a trademark of Telefonaktiebolaget LM Ericsson.

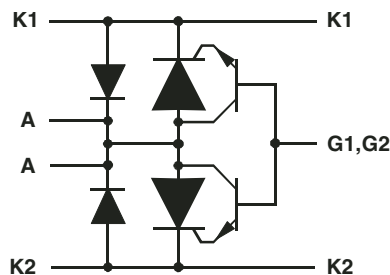
OCTOBER 2000 - REVISED FEBRUARY 2005
Specifications are subject to change without notice.
Customers should verify actual device performance in their specific applications.

D Package (Top View)



NC - No internal connection
Terminal typical application names shown in parenthesis

Device Symbol



Terminals K1, K2 and A correspond to the alternative line designators of T, R and G or A, B and C. The negative protection voltage is controlled by the voltage, V_{GG}, applied to the G terminal.

SD6XAEA

High Voltage Capability Supports Battery Voltages Down to -150 V

Specified 2/10 Impulse Limiting Voltage
- Voltage-Time Envelope Guaranteed
- Full -40 °C to 85 °C Temperature Range

Feed-Through Package Connections
- Minimizes Inductive Wiring Voltages

..... UL Recognized Components

TISPPBL3 Programmable Protector

BOURNS®

Description

The TISPPBL3 is a dual forward-conducting buffered p-gate overvoltage protector. It is designed to protect the Ericsson Microelectronics SLICs (Subscriber Line Interface Circuits) against overvoltages on the telephone line caused by lightning, a.c. power contact and induction. The TISPPBL3 limits voltages that exceed the referenced SLIC supply rail levels.

The SLIC line driver section is typically powered by a negative voltage, V_{Bat} , in the region of -10 V to -90 V. The protector gate is connected to this negative supply. This references the protection (clipping) voltage to the negative supply voltage. As the protection voltage will track the negative supply voltage, the overvoltage stress on the SLIC is minimized. The TISPPBL3 buffered gate design reduces the loading on the SLIC supply during overvoltages caused by power cross and induction.

Positive overvoltages are clipped to ground by diode forward conduction. Negative overvoltages are initially clipped close to the SLIC negative supply rail value. If sufficient current is available from the overvoltage, then the protector will crowbar into a low voltage ground referenced on-state condition. As the overvoltage subsides, the high holding current of the crowbar prevents d.c. latchup.

These monolithic protection devices are fabricated in ion-implanted planar vertical power structures for high reliability and in normal system operation they are virtually transparent. The TISPPBL3 has an 8-pin plastic small-outline surface mount package, D suffix, and is a universal substitute for TISPPBL1D and TISPPBL2D devices.

Absolute Maximum Ratings, $-40\text{ }^{\circ}\text{C} \leq T_A \leq 85\text{ }^{\circ}\text{C}$ (Unless Otherwise Noted)

Rating	Symbol	Value	Unit
Repetitive peak off-state voltage, $V_{GK} = 0$, $-40\text{ }^{\circ}\text{C} \leq T_J \leq 85\text{ }^{\circ}\text{C}$	V_{DRM}	-170	V
Repetitive peak gate-cathode voltage, $V_{KA} = 0$, $-40\text{ }^{\circ}\text{C} \leq T_J \leq 85\text{ }^{\circ}\text{C}$	V_{GKRM}	-160	V
Non-repetitive peak on-state pulse current (see Notes 1 and 2) 10/1000 μs (Telcordia GR-1089-CORE Issue 2, with Revision 1, February 1999) 5/310 μs (ITU-T K.20, K.21 & K.45, K.44 open-circuit voltage wave shape 10/700 μs) 2/10 μs (Telcordia GR-1089-CORE Issue 2, with Revision 1, February 1999)	I_{TSP}	30 40 100	A
Non-repetitive peak on-state current, 50/60 Hz, $T_A = 25\text{ }^{\circ}\text{C}$ (see Notes 2 and 3) 100 ms 1 s 5 s 300 s 900 s	I_{TSM}	10 4.4 2.1 0.64 0.60	A
Non-repetitive peak gate current, 1/2 μs pulse, cathodes commoned (see Note 1)	I_{GSM}	40	A
Operating free-air temperature range	T_A	-40 to +85	$^{\circ}\text{C}$
Junction temperature	T_J	-40 to +150	$^{\circ}\text{C}$
Storage temperature range	T_{stg}	-65 to +150	$^{\circ}\text{C}$

- NOTES: 1. Initially, the protector must be in thermal equilibrium with $-40\text{ }^{\circ}\text{C} \leq T_J \leq 85\text{ }^{\circ}\text{C}$. The surge may be repeated after the device returns to its initial conditions. Above $85\text{ }^{\circ}\text{C}$, derate linearly to zero at $150\text{ }^{\circ}\text{C}$ lead temperature.
2. These non-repetitive rated currents are peak values for either polarity. The rated current values may be applied either to the Ring to Ground or to the Tip to Ground terminal pairs. Additionally, both terminal pairs may have their rated current values applied simultaneously (in this case the Ground terminal current will be twice the rated current value of an individual terminal pair).
3. Values for $V_{GG} = -120\text{ V}$. For values at other voltages see Figure 4. Above $25\text{ }^{\circ}\text{C}$, derate linearly to zero at $150\text{ }^{\circ}\text{C}$ lead temperature.

Recommended Operating Conditions

See Figure 10		Min	Typ	Max	Unit
C1	Gate decoupling capacitor	100	220		nF
RSA	Series resistance for GR-1089-CORE first-level and second-level surge survival	40			Ω
RSA	Series resistance for GR-1089-CORE first-level surge survival	25			
RSB	Series resistance for ITU-T recommendation K.20, K.21 and K.45 for coordination with a 400 V primary protector	10			

TISPPBL3 Programmable Protector

BOURNS®

Electrical Characteristics, $-40\text{ °C} \leq T_A \leq 85\text{ °C}$ (Unless Otherwise Noted)

Parameter	Test Conditions	Min	Typ	Max	Unit
I_D Off-state current	$V_D = V_{DRM}$, $V_{GK} = 0$	$T_J = -40\text{ °C}$		-5	μA
		$T_J = 85\text{ °C}$		-50	μA
$V_{(BO)}$ Breakover voltage	$I_T = -100\text{ A}$, 2/10 generator, $V_{GG} = -100\text{ V}$, Figure 3 test circuit (see Figure 2)			-120	V
$t_{(BR)}$ Breakdown time	$I_T = -100\text{ A}$, 2/10 generator, $V_{(BR)} < V_{GG}$, Figure 3 test circuit (see Figure 2 and Note 4)			1	μs
V_F Forward voltage	$I_F = 5\text{ A}$, $t_w = 500\text{ }\mu\text{s}$			3	V
V_{FRM} Peak forward recovery voltage	$I_F = 100\text{ A}$, 2/10 generator, Figure 3 test circuit (see Figure 2 and Note 4)			8	V
t_{FR} Forward recovery time	$I_F = 100\text{ A}$, 2/10 generator, Figure 3 test circuit (see Figure 2 and Note 4)			1 10000	μs
I_H Holding current	$I_T = -1\text{ A}$, $di/dt = 1\text{ A/ms}$, $V_{GG} = -50\text{ V}$,	-150			mA
I_{GKS} Gate reverse current	$V_{GG} = V_{GK} = V_{GKRM}$, $V_{KA} = 0$	$T_J = -40\text{ °C}$		-5	μA
		$T_J = 85\text{ °C}$		-50	μA
I_{GAT} Gate reverse current, on state	$I_T = -0.5\text{ A}$, $t_w = 500\text{ }\mu\text{s}$, $V_{GG} = -50\text{ V}$, $T_A = 25\text{ °C}$			-1	mA
I_{GAF} Gate reverse current, forward conducting state	$I_F = 1\text{ A}$, $t_w = 500\text{ }\mu\text{s}$, $V_{GG} = -50\text{ V}$, $T_A = 25\text{ °C}$		-10		mA
I_{GT} Gate trigger current	$I_T = -5\text{ A}$, $t_{p(g)} \geq 20\text{ }\mu\text{s}$, $V_{GG} = -50\text{ V}$, $T_A = 25\text{ °C}$			5	mA
V_{GT} Gate trigger voltage	$I_T = -5\text{ A}$, $t_{p(g)} \geq 20\text{ }\mu\text{s}$, $V_{GG} = -50\text{ V}$, $T_A = 25\text{ °C}$			2.5	V
$V_{GK(BO)}$ Gate impulse breakover voltage	$I_T = -100\text{ A}$, 2/10 generator, Figure 3 test circuit (see Figure 2 and Note 4)			20	V
C_{AK} Anode-cathode off-state capacitance	$f = 1\text{ MHz}$, $V_d = 1\text{ V}$, $I_G = 0$, $T_A = 25\text{ °C}$ (see Note 5)	$V_D = -3\text{ V}$		110	pF
		$V_D = -50\text{ V}$		60	pF

- NOTES: 4. The diode forward recovery and the thyristor gate impulse breakover (overshoot) are not strongly dependent of the SLIC supply voltage value (V_{GG}).
5. These capacitance measurements employ a three terminal capacitance bridge incorporating a guard circuit. The unmeasured device terminals are a.c. connected to the guard terminal of the bridge.

Thermal Characteristics

Parameter	Test Conditions	Min.	Typ.	Max.	Unit
$R_{\theta JA}$ Junction to free air thermal resistance	$P_{tot} = 0.52\text{ W}$, $T_A = 85\text{ °C}$, 5 cm^2 , FR4 PCB			160	$^{\circ}\text{C/W}$

Parameter Measurement Information

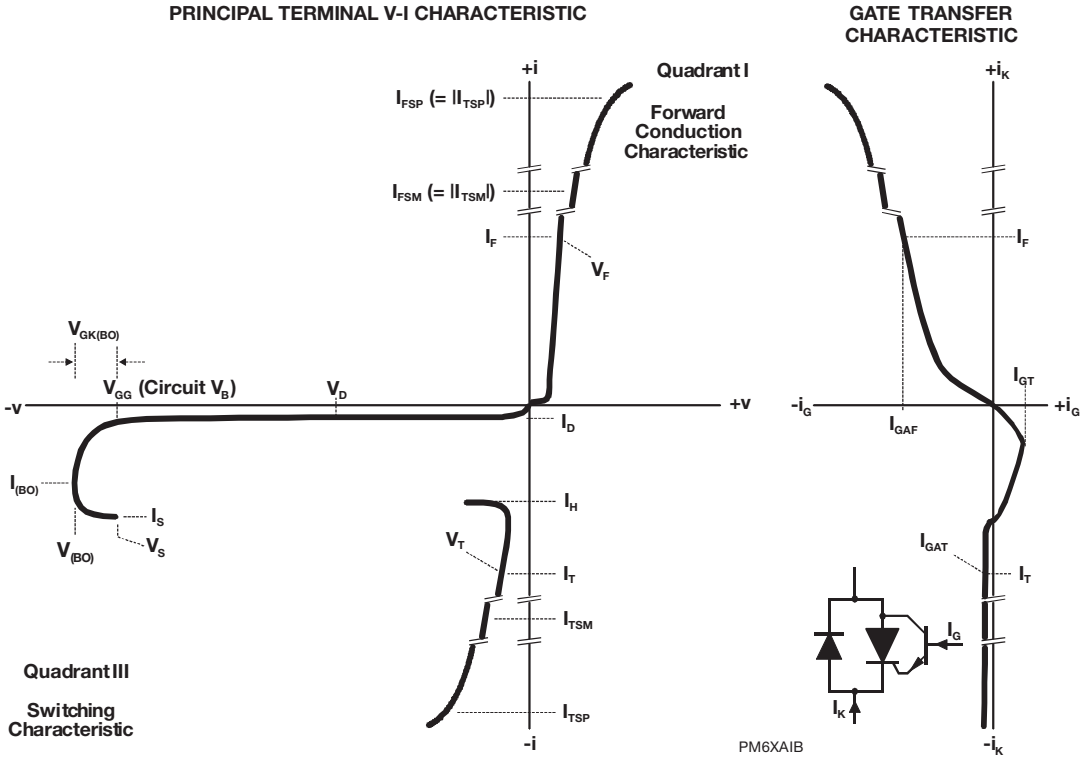


Figure 1. Principal Terminal And Gate Transfer Characteristics

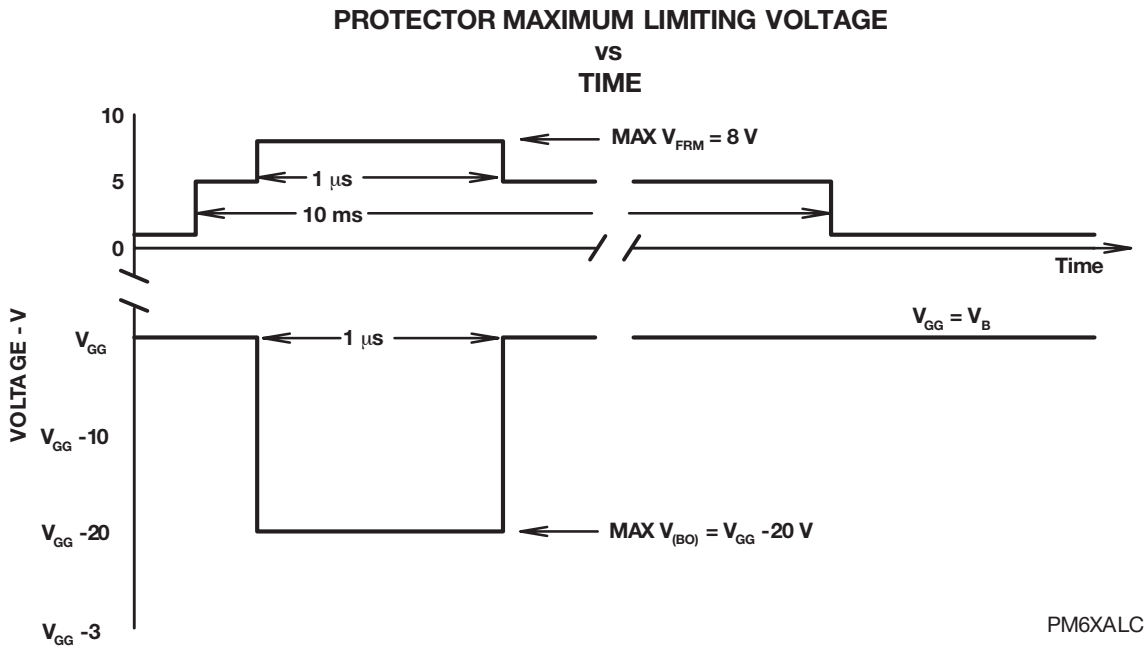


Figure 2. Transient Limits For TISPPBL3 2/10 Impulse Limiting Voltage

Parameter Measurement Information

PARAMETER MEASUREMENT INFORMATION

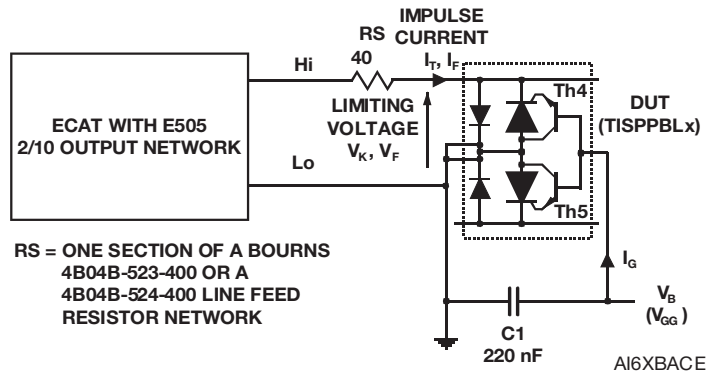


Figure 3 TEST CIRCUIT FOR MEASUREMENT OF LIMITING VOLTAGE

Thermal Information

PEAK NON-RECURRING AC VS CURRENT DURATION

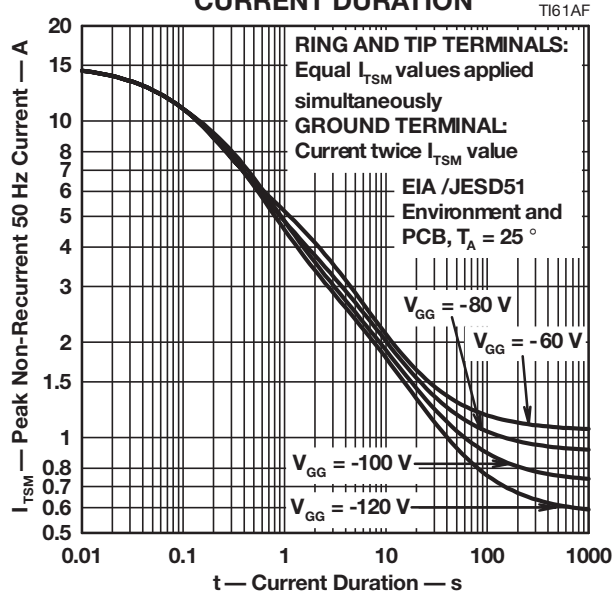


Figure 4

APPLICATIONS INFORMATION

Operation of Gated Protectors

The following SLIC circuit definitions are used in this data sheet:

V_{BAT} — Package pin label for the battery supply voltage.

V_{Bat} — Voltage applied to the V_{BAT} pin.

V_B — Negative power supply voltage applied to the V_{BAT} pin via an isolation diode. This voltage is also the gate reference voltage, V_{GG} , of the TISPPBL3. When the isolation diode, D1, is conducting, then $V_{Bat} = V_B + 0.7$.

The isolation diode, D1 in Figure 5, is to prevent a damaging current flowing into the SLIC substrate (V_{BAT} pin) if the V_{Bat} voltage becomes more negative than the V_B supply during a negative overvoltage condition. Each SLIC must have its own isolation diode from the V_B voltage supply. (Maytum, M J, Enoksson, J & Rutgers, K, Coordination of overvoltage protection and SLIC capability, International IC - China Conference Proceedings 2000, pp. 87 - 97.)

Figure 5 and Figure 6 show how the TISPPBL3 limits overvoltages. The TISPPBL3 thyristor sections limit negative overvoltages and the diode sections limit positive overvoltages.

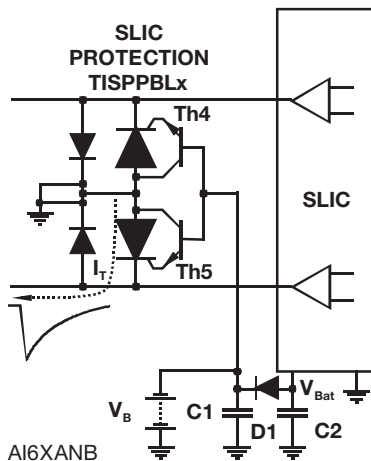


Figure 5. Negative Overvoltage Condition

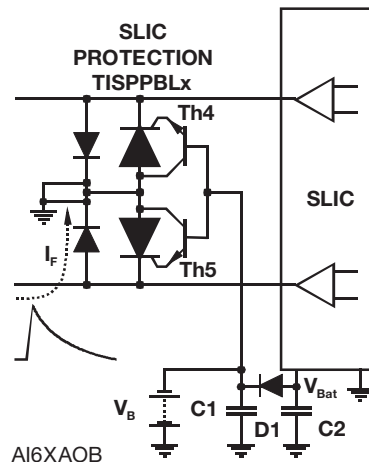


Figure 6. Positive Overvoltage Condition

Negative overvoltages (Figure 5) are initially clipped close to the SLIC negative supply rail value (V_B) by the conduction of the transistor base-emitter and the thyristor gate-cathode junctions. If sufficient current is available from the overvoltage, then the thyristor will crowbar into a low voltage ground referenced on-state condition. As the overvoltage subsides, the high holding current of the crowbar thyristor prevents d.c. latchup.

The negative protection voltage will be the sum of the gate supply (V_B) and the peak gate (terminal)-cathode voltage ($V_{GK(BO)}$). Under a.c. overvoltage conditions $V_{GK(BO)}$ will be less than 3 V. The integrated transistor buffer in the TISPPBL3 greatly reduces the gate positive current (from about 50 mA to 1 mA) and introduces a negative gate current. Figure 1 shows that the TISPPBL3 gate current depends on the current being conducted by the principal terminals. The gate current is positive during clipping (charging the V_B supply) and negative when the thyristor is on or the diode is conducting (loading the V_B supply). Without the negative gate current and the reduced level of positive gate current, the V_B supply could be charged with a current of nearly 100 mA. The V_B supply is likely to be electronic and would not be designed to be charged like a battery. As a result, the SLIC could be destroyed by the voltage of V_B increasing to a level that exceeded the SLIC's capability on the V_{BAT} pin. The integrated transistor buffer removes this problem.

Fast rising impulses will cause short term overshoots in gate-cathode voltage. The negative protection voltage under impulse conditions will also be increased if there is a long connection between the gate decoupling capacitor, C1, and the gate terminal. During the initial rise of a fast impulse, the gate current (I_G) is the same as the cathode current (I_K). Rates of 60 A/ μ s can cause inductive voltages of 0.6 V in 2.5 cm of printed wiring track. To minimize this inductive voltage increase of protection voltage, the length of the capacitor to gate terminal tracking should be minimized. Inductive voltages in the protector cathode wiring can increase the protection voltage. These voltages can be minimized by routing the SLIC connection through the protector as shown in Figure 5 and Figure 6.

Positive overvoltages (Figure 6) are clipped to ground by forward conduction of the diode section in the TISPPBL3. Fast rising impulses will cause short term overshoots in forward voltage (V_{FRM}).

APPLICATIONS INFORMATION

TISPPBL3 Limiting Voltages

Figure 3 shows the basic test circuit used for the measurement of impulse limiting voltage. During the impulse, the high levels of electrical energy and rapid rates of change cause electrical noise to be induced or conducted into the measurement system. It is possible for the electrical noise voltage to be many times the wanted signal voltage. Elaborate wiring and measurement techniques were used to reduce the noise voltage to less than 2 V peak to peak.

A Keytek ECAT E-Class series 100 with an E505 surge network was used for testing. The E505 produces a 2/10 voltage impulse. This particular waveform was used as it has the fastest rate of current rise (di/dt) of the rated lightning surge waveforms. This maximizes the measured limiting voltage. Initially, the 2/10 wavefront current rises at 60 A/ μ s; this rate then reduces as the peak current is approached.

A large number of devices from different production runs were measured in the test circuit of Figure 3 over the rated temperature range. Statistical techniques were used to estimate the population 99.997% level (equal to 30 ppm) performance limits.

SLIC Protection Requirements

This clause discusses the voltage withstand capabilities of the various Ericsson Microelectronics SLIC groups and compares these to the TISPPBL3 protector parameters. The examples provided are intended to provide designers information on how the TISPPBL3 protector and specific SLICs work together. Designers should always follow the circuit design recommendations contained in the latest edition of an SLIC data sheet.

Temperature Range

Some SLICs are rated for 0 °C to 70 °C operation, others for -40 °C to 85 °C operation. The TISPPBL3 protector is specified for -40 °C to 85 °C operation and covers both temperature ranges.

Normal Operation

Depending on the SLIC type, the maximum SLIC supply voltage rating (V_{Bat}) will be -70 V, -80 V or -85 V. The -160 V rating of the TISPPBL3 gate-cathode (V_{GKRM}) exceeds the highest SLIC voltage rating. To restore normal operation after the TISPPBL3 has switched on, the minimum switch-off current (holding current I_H) needed is equal to the maximum SLIC short circuit current to ground (d.c. line current together with the maximum longitudinal current).

Maximum TIPX and RINGX Terminal Ratings

The withstand levels of an SLIC line drive amplifier TIPX and RINGX can be expressed in terms of maximum voltage for certain time periods. The negative voltage rating can be specified in two ways; relative to ground or relative to the SLIC negative supply voltage (V_{Bat}).

The TIPX or RINGX voltage withstand levels for the current range of Ericsson SLICs falls into three groups, see Figure 7. The first group, headed by the PBL 3762A/2 SLIC, has a positive polarity d.c. withstand of +2 V. For 10 ms, the output can withstand a voltage of +5 V. For 1 μ s, the output can withstand a voltage of +10 V. For 250 ns, the output is able to withstand a voltage of +15 V.

In the negative polarity, the output can withstand V_{Bat} continuously. For 10 ms, the output can withstand a voltage of $V_{Bat} - 20$ V. For 1 μ s, the output can withstand a voltage of $V_{Bat} - 40$ V. For 250 ns, the output is able to withstand a voltage of $V_{Bat} - 70$ V.

The second group, headed by the PBL 3766 SLIC, has a positive polarity d.c. withstand of +0.5 V. For 10 ms, 1 μ s and 250 ns the withstand voltage is the same as the PBL 3762A/2 group. In the negative polarity, the withstand voltage of the PBL 3766 group is the same as the PBL 3762A/2 group.

APPLICATIONS INFORMATION

Maximum TIPX and RINGX Terminal Ratings (continued)

PART NUMBER	MAXIMUM VOLTAGE RATINGS
PBL 3762A/2 PBL 3762A/4 PBL 3764A/4 PBL 3764A/6 PBL 3860A/1 PBL 3860A/6 PBL 386 10/2 PBL 386 11/2 PBL 386 14/2 PBL 386 15/2 PBL 386 61/2 PBL 386 65/2 PBL 387 10/1	<p>d.c. V_{BAT} & +2 V, < 10 ms V_{BAT} -20 V & +5 V, < 1 μs V_{BAT} -40 V & +10 V, < 250 ns V_{BAT} -70 V & +15 V</p>
PBL 3766 PBL 3766/6 PBL 3767 PBL 3767/6	<p>d.c. V_{BAT} & +0.5 V, < 10 ms V_{BAT} -20 V & +5 V, < 1 μs V_{BAT} -40 V & +10 V, < 250 ns V_{BAT} -70 V & +15 V</p>
PBL 386 20/2 PBL 386 21/2 PBL 386 30/2 PBL 386 40/2 PBL 386 50/2	<p>d.c. -80 V & +2 V, < 10 ms V_{BAT} -10 V & +5 V, < 1 μs V_{BAT} -25 V & +10 V, < 250 ns V_{BAT} -35 V & +15 V</p>

Figure 7. TIPX And RINGX Rated Values

APPLICATIONS INFORMATION

Maximum TIPX and RINGX Terminal Ratings (continued)

The third group, headed by the PBL 386 20/2 SLIC, has the same positive polarity withstand as the PBL 3762A/2 group. In the negative polarity, the output can withstand -80 V continuously. For 10 ms, the output can withstand a voltage of $V_{Bat} - 10$ V. For 1 μ s, the output can withstand a voltage of $V_{Bat} - 25$ V. For 250 ns, the output is able to withstand a voltage of $V_{Bat} - 35$ V.

Protection Requirements To Cover All SLICs

To protect all SLICs, the TISPPBL3 protector must limit the voltage to the lowest withstand levels of the three SLIC groups shown in Figure 7. Figure 8 shows that this will be the positive polarity rating of the PBL 3766 group and the negative rating of the PBL 386 20/2 group.

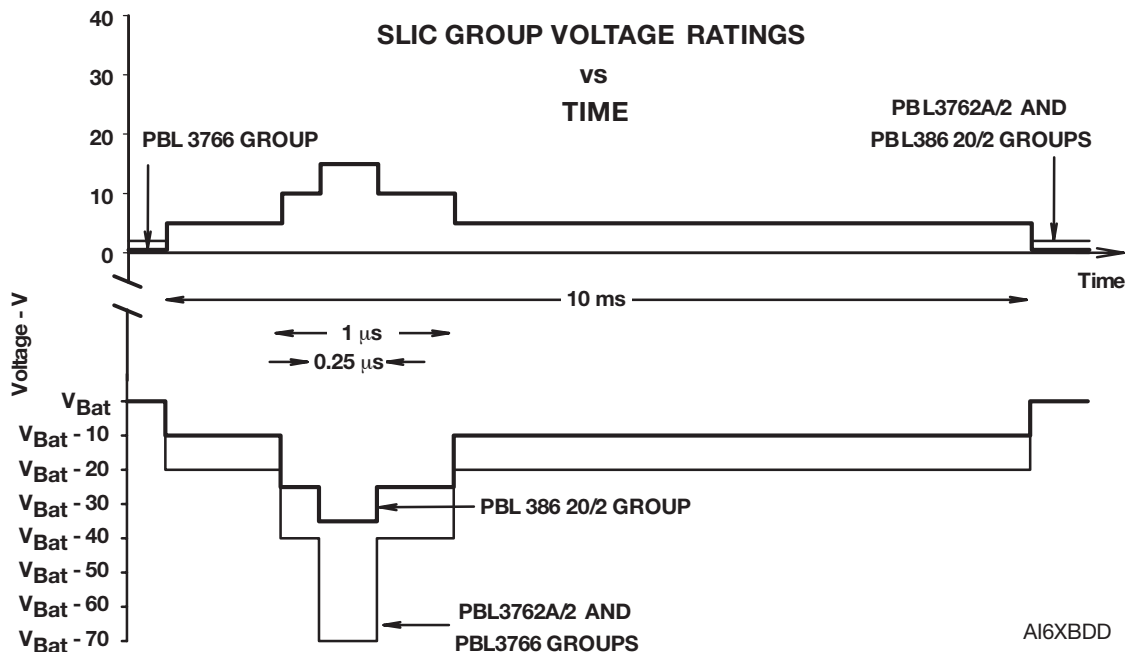


Figure 8. SLIC Voltage Ratings

TISPPBL3 Voltage Limiting Performance

Figure 9 shows how the TISPPBL3 protection voltages compare to the minimum voltage withstands of Figure 8. The two shaded areas represent the positive and negative maximum limiting voltage levels of the TISPPBL3 from Figure 2. The isolation diode voltage drop displaces the TISPPBL3 negative limiting voltage 1 μ s, -20 V pulse area by -0.7 V from V_{Bat} . So the actual negative limiting voltage is -20.7 V relative to V_{Bat} . This value does not exceed any part of the SLIC minimum negative voltage ratings. Any negative voltage disturbance in the V_B supply caused by TISPPBL3 gate current will be tracked in V_{Bat} by conduction of the isolation diode D1. So a negative going change in V_B does not substantially increase the TIPX and RINGX voltage stress relative to V_{Bat} . However, the absolute value of V_{Bat} with respect to ground must be kept within the data sheet rating. In the positive polarity, the TISPPBL3 limits the maximum voltage to 8 V in a 1 μ s period and between 1 V and 5 V for a 10 ms period. These values do not exceed any of the SLIC minimum positive voltage ratings.

The TISPPBL3 supports negative supply voltages (V_B) down to -150 V. In addition, there are maximum cathode overshoot voltages of -20 V and +8 V. These conditions require the TISPPBL3 to have an off-state rated voltage, V_{DRM} , of -170 V (-150 + -20 = -170) and a gate-cathode rated voltage, V_{GKRM} , of -160 V (-150 - +8 = -158) over the temperature range.

APPLICATIONS INFORMATION

TISPPBL3 Voltage Limiting Performance (continued)

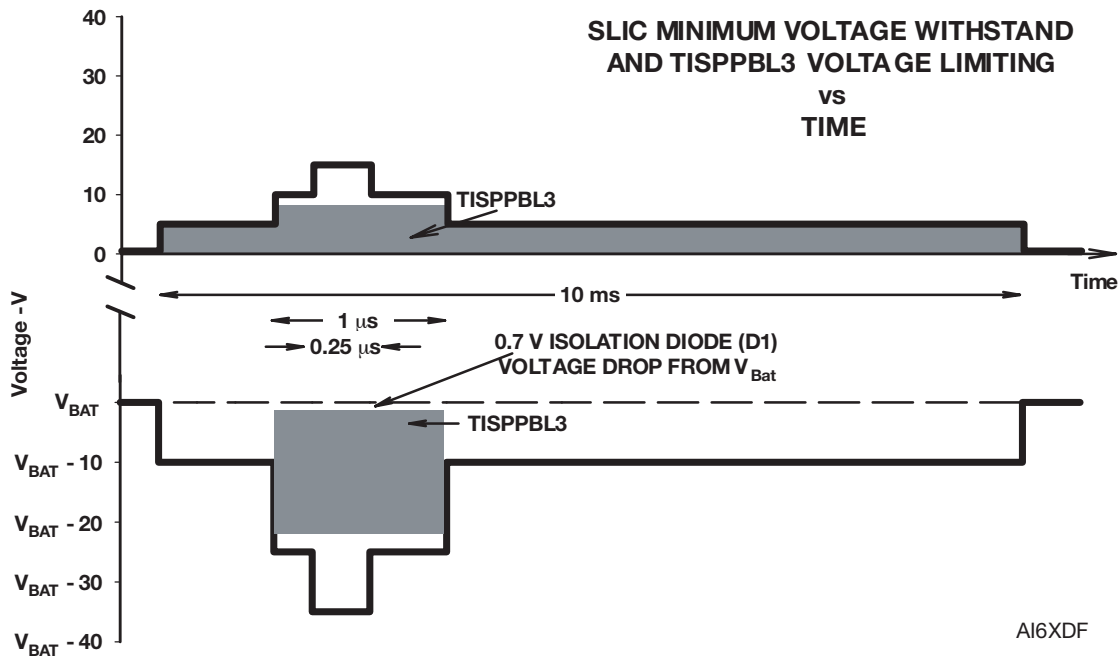
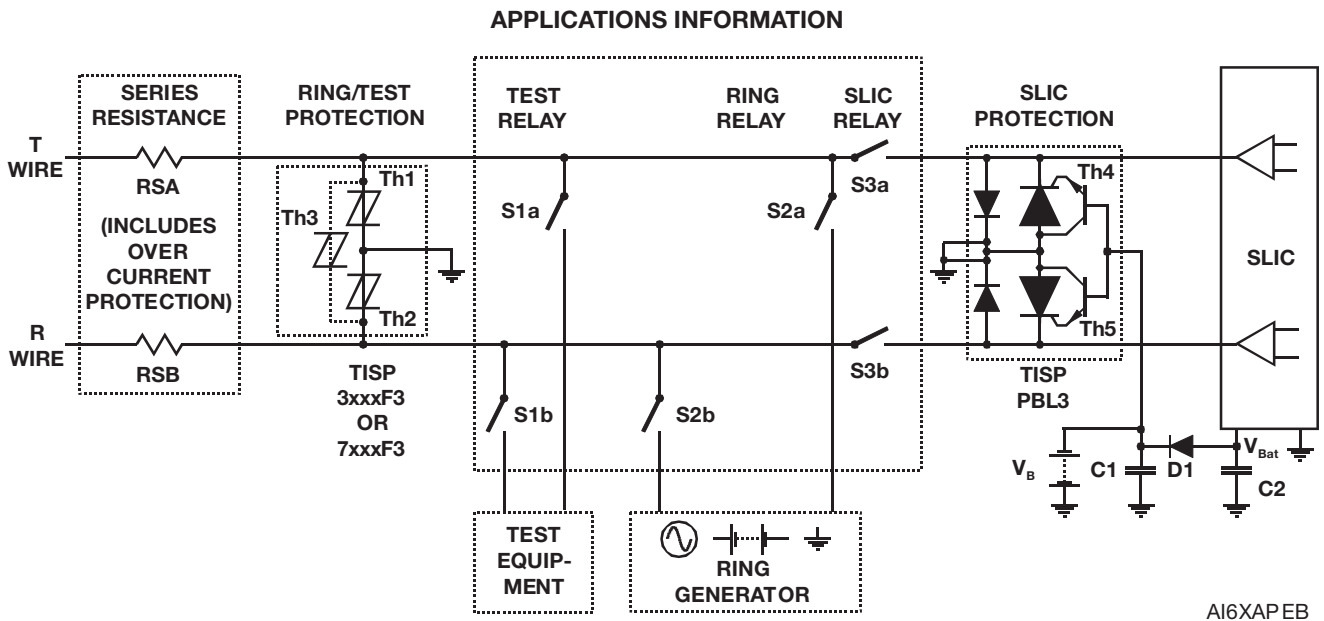


Figure 9. SLIC Voltage Ratings And TISPPBL3 Protection Levels

Application Circuit

Figure 10 shows a typical TISPPBL3 SLIC card protection circuit. The incoming line conductors, R and T, connect to the relay matrix via the series overcurrent protection (RSA and RSB). Fusible resistors, fuses and positive temperature coefficient (PTC) thermistors can be used for overcurrent protection. Normally, the SLIC reference designs recommend using 40 Ω matched fusible resistors, such as the Bourns 2x40 Ω, 2 % tolerance, 0.5 % matched 4B04B-523-400 or the 4B04B-524-400 with a thermal fuse. These resistors will reduce the prospective current from the surge generator for both the TISPPBL3 and the ring/test protector. The TISP7xxxF3 protector has the same protection voltage for any terminal pair. This protector is used when the ring generator configuration may be ground or battery-backed. For dedicated ground-backed ringing generators, the TISP3xxxF3 gives better protection as its inter-conductor protection voltage is twice the conductor to ground value.

Relay contacts 3a and 3b connect the line conductors to the SLIC via the TISPPBL3 protector. Closing contacts 3a and 3b connects the TISPPBL3 protector in parallel with the ring/test protector. As the ring/test protector requires much higher voltages than the TISPPBL3 to operate, it will only operate when the contacts 3a and 3b are open. Both protectors will divert the same levels of peak surge current, and their required current ratings should be similar. The TISPPBL3 protector gate reference voltage comes from the SLIC negative supply feed (V_B). A local gate capacitor, C1, sources the gate current pulses caused by fast rising impulses.



AI6XAP EB

Figure 10. Typical Application Circuit

Earlier Protection and SLIC Recommendations

The table below lists the combined SLIC and protection recommendations from earlier releases of the Ericsson Microelectronics AB SLICs. The TISPPBL3 is a functional replacement for the TISPPBL1 and the TISPPBL2.

SLIC	TISPPBL1	TISPPBL2
PBL 3796	< 55 mA‡	✓
PBL 3796/2	< 55 mA‡	✓
PBL 3798	< 55 mA‡	✓
PBL 3798/2	< 55 mA‡	✓
PBL 3798/5	< 55 mA‡	✓
PBL 3798/6	✓	✓
PBL 3799	x	✓
PBL 3799/2	x	✓
PBL 386 20/1 ¶	✓	✓
PBL 386 21/1 ¶	✓	✓
PBL 386 30/1 ¶	✓	✓
PBL 386 40/1 ¶	✓	✓
PBL 386 50/1 ¶	✓	✓

¶ Product Change Notification 109 21-PBL 386 xx/1-1 Uen of 06-06-1999 improved the silicon design of the PBL 386 20/1, PBL 386 21/1, PBL 386 30/1, PBL 386 40/1 and PBL 386 50/1. These improved devices are designated by a /2 as PBL 386 20/2, PBL 386 21/2, PBL 386 30/2, PBL 386 40/2 and PBL 386 50/2 respectively.

‡ Use TISPPBL2 when programmed line current is above 55 mA.

TISPPBL3 Programmable Protector

BOURNS®

MECHANICAL DATA

Device Symbolization Code

Devices will be coded as follows:

Device	Symbolization Code
TISPPBL3	SPPBL3

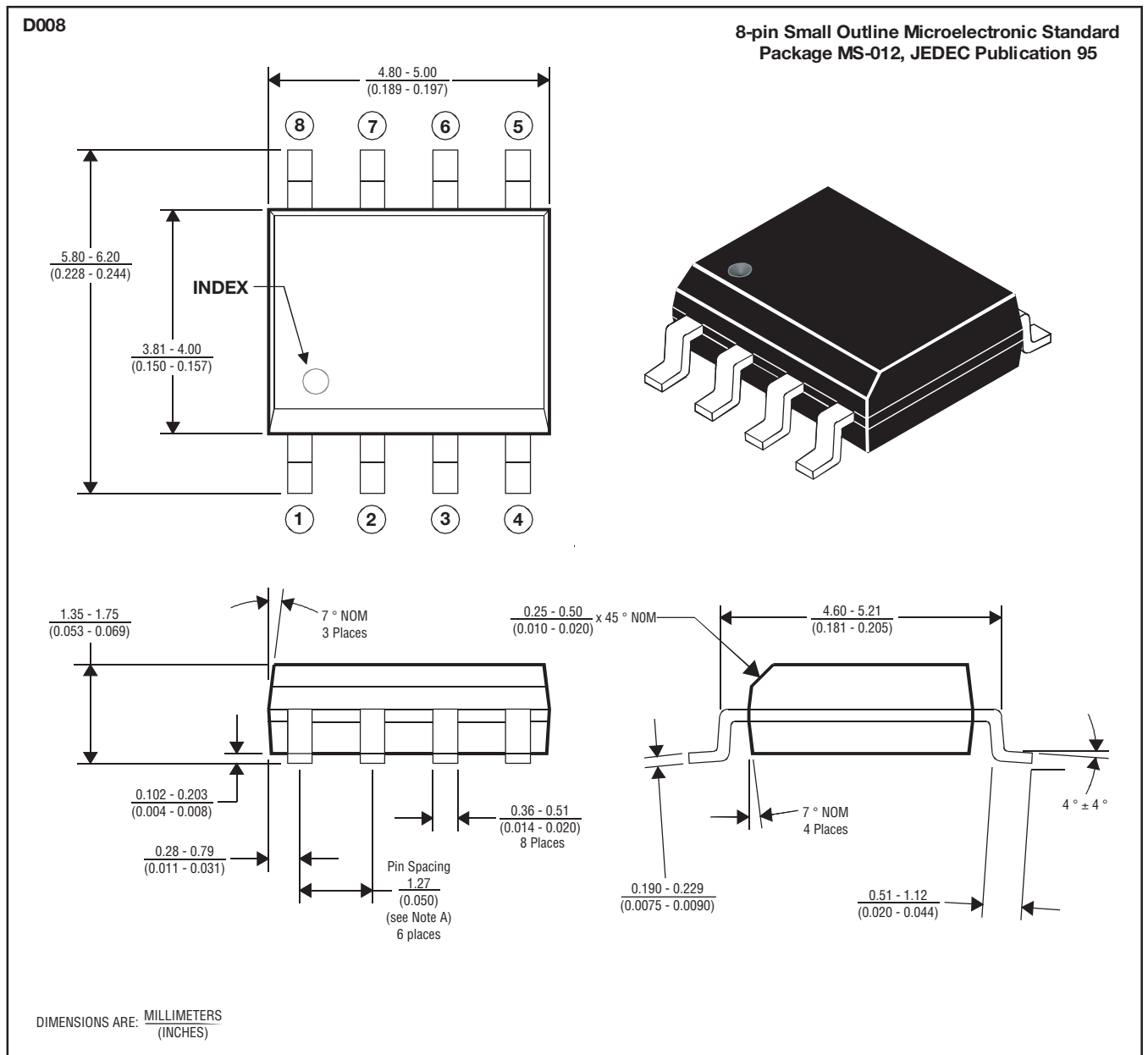
TISPPBL3 Programmable Protector

BOURNS®

MECHANICAL DATA

D008 Plastic Small-outline Package

This small-outline package consists of a circuit mounted on a lead frame and encapsulated within a plastic compound. The compound will withstand soldering temperature with no deformation, and circuit performance characteristics will remain stable when operated in high humidity conditions. Leads require no additional cleaning or processing when used in soldered assembly.

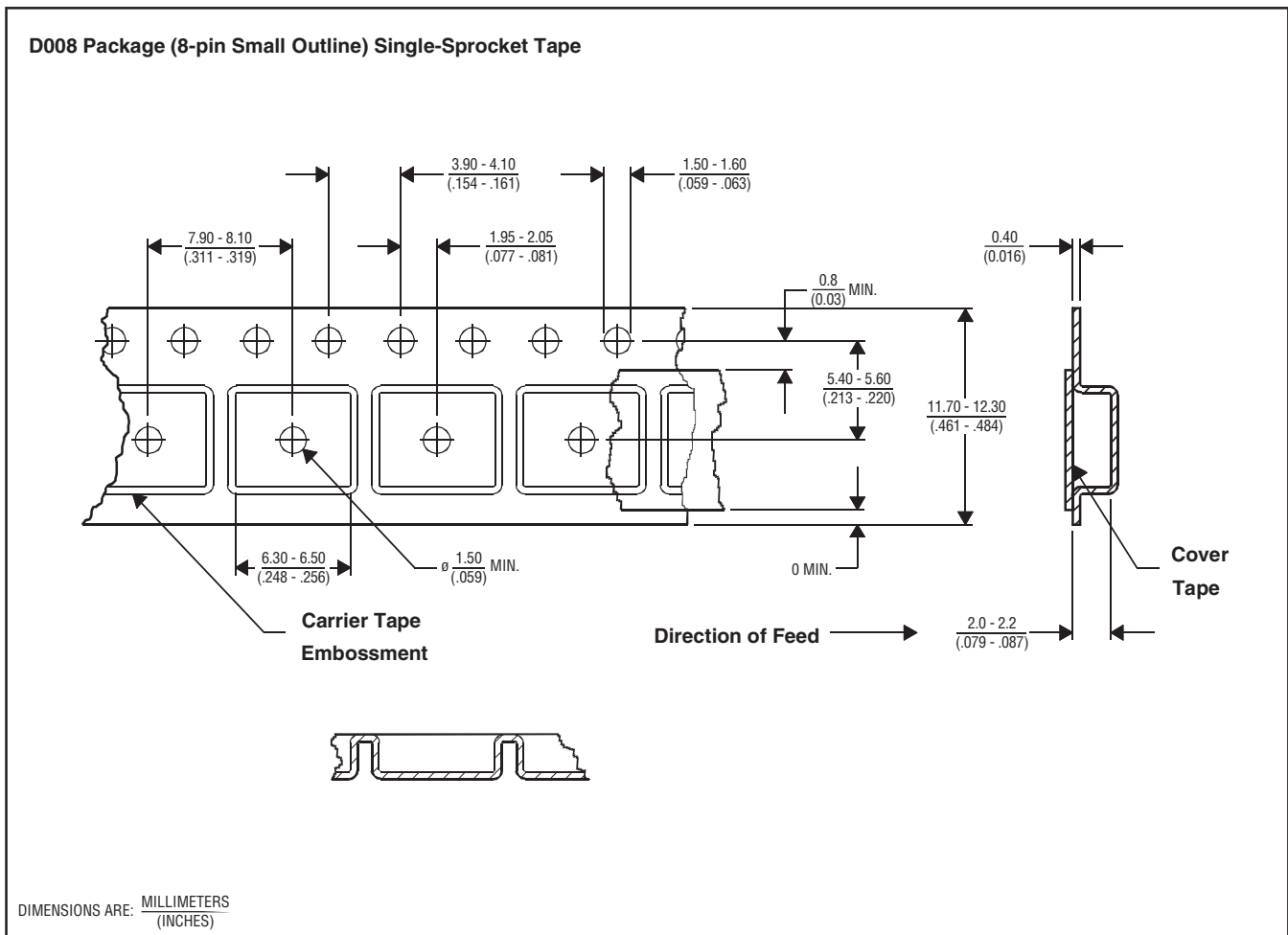


- NOTES: A. Leads are within 0.25 (0.010) radius of true position at maximum material condition.
 B. Body dimensions do not include mold flash or protrusion.
 C. Mold flash or protrusion shall not exceed 0.15 (0.006).
 D. Lead tips to be planar within ± 0.051 (0.002).

MDXXAAC

MECHANICAL DATA

D008 Tape Dimensions



NOTES: A. Taped devices are supplied on a reel of the following dimensions:-

MDXXATB

Reel diameter:	$\frac{330 + 0.0/-4.0}{(12.992 + 0.0/-1.57)}$
Reel hub diameter:	$\frac{100 \pm 2.0}{(3.937 \pm .079)}$
Reel axial hole:	$\frac{13.0 \pm 0.2}{(.512 \pm .008)}$

B. 2500 devices are on a reel.