

SI-3003N Series

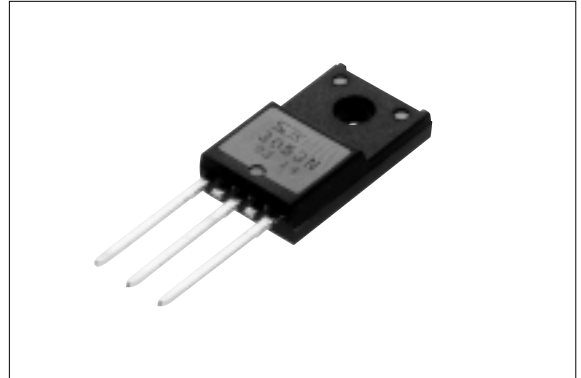
3-Terminal, Full-Mold, Low Dropout Voltage Dropper Type

■Features

- Compact full-mold package (equivalent to TO220)
- Output current: 1.0A
- Low dropout voltage: $V_{DIF} \leq 0.5V$ (at $I_o = 1.0A$)
- Built-in dropping overcurrent, overvoltage, thermal protection circuits
- Supports constant current load and plus/minus power supplies.

■Applications

- For stabilization of the secondary stage of switching power supplies
- Electronic equipment



■Absolute Maximum Ratings

($T_a = 25^\circ C$)

Parameter	Symbol	Ratings			Unit
		SI-3053N	SI-3123N	SI-3153N	
DC Input Voltage	V_{IN}	25	30	30	V
DC Output Current	I_o	1.0*1			A
Power Dissipation	P_{D1}	20(With infinite heatsink)			W
	P_{D2}	1.5(Without heatsink, stand-alone operation)			W
Junction Temperature	T_j	-40 to +125			$^\circ C$
Ambient Operating Temperature	T_{op}	-30 to +100			$^\circ C$
Storage Temperature	T_{stg}	-40 to +125			$^\circ C$
Thermal Resistance (junction to case)	$R_{th(j-c)}$	5.0			$^\circ C/W$
Thermal Resistance (junction to ambient air)	$R_{th(j-a)}$	66.7(Without heatsink, stand-alone operation)			$^\circ C/W$

■Electrical Characteristics

(Ta=25°C unless otherwise specified)

Parameter	Symbol	Ratings									Unit
		SI-3053N			SI-3123N			SI-3153N			
		min.	typ.	max.	min.	typ.	max.	min.	typ.	max.	
Input Voltage	V _{IN}	6 ^{*2}		15 ^{*1}	13 ^{*2}		22 ^{*1}	16 ^{*2}		25 ^{*1}	V
Output Voltage	V _O	4.90	5.00	5.10	11.76	12.00	12.24	14.70	15.00	15.30	V
	Conditions	V _{IN} =8V, I _O =1.0A			V _{IN} =15V, I _O =1.0A			V _{IN} =18V, I _O =1.0A			
Dropout Voltage	V _{DIF}			0.5			0.5			0.5	V
	Conditions	I _O ≤1.0A									
Line Regulation	ΔV _{OLINE}		10	30		24	64		30	90	mV
	Conditions	V _{IN} =6V to 15V, I _O =1.0A			V _{IN} =13V to 22V, I _O =1.0A			V _{IN} =16V to 25V, I _O =1.0A			
Load Regulation	ΔV _{OLOAD}		20	50		40	120		50	150	mV
	Conditions	V _{IN} =8V, I _O =0 to 1.0A			V _{IN} =15V, I _O =0 to 1.0A			V _{IN} =18V, I _O =0 to 1.0A			
Temperature Coefficient of Output Voltage	ΔV _O /ΔT _a		±0.5			±1.5			±1.5		mV/°C
	Conditions	V _{IN} =8V, I _O =5mA, T _J =0 to 100°C			V _{IN} =15V, I _O =5mA, T _J =0 to 100°C			V _{IN} =18V, I _O =5mA, T _J =0 to 100°C			
Ripple Rejection	R _{REJ}		54			54			54		dB
	Conditions	V _{IN} =8V, f=100 to 120Hz			V _{IN} =15V, f=100 to 120Hz			V _{IN} =18V, f=100 to 120Hz			
Quiescent Circuit Current	I _q		3	10		3	10		3	10	mA
	Conditions	V _{IN} =8V, I _O =0A			V _{IN} =15V, I _O =0A			V _{IN} =18V, I _O =0A			
Overcurrent Protection Starting Current ^{*4,5}	I _{s1}	1.2			1.2			1.2			A
	Conditions	V _{IN} =8V			V _{IN} =15V			V _{IN} =18V			
Limited Current at Overcurrent Protection	I _{s2}	1.2			1.2			1.2			A
	Conditions	V _{IN} =8V, V _O =0A			V _{IN} =15V, V _O =0A			V _{IN} =18V, V _O =0A			

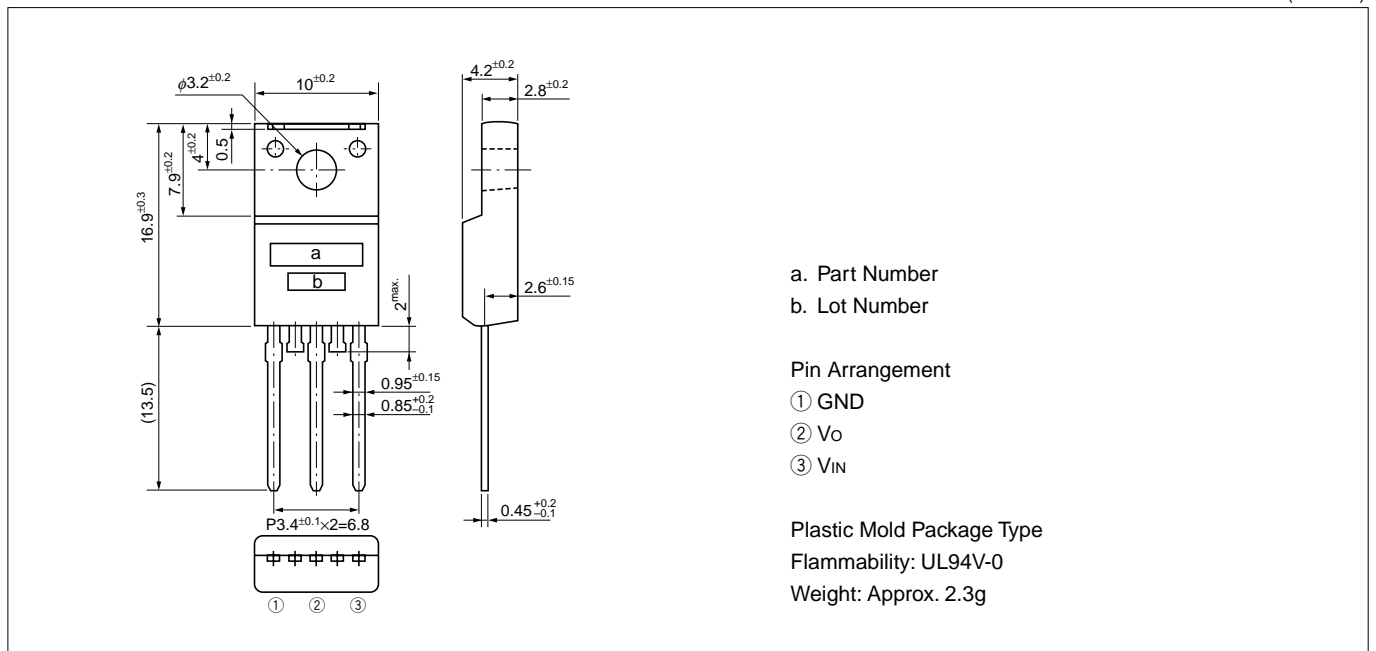
*1: V_{IN(max)} and I_{O(max)} are restricted by the relation P_{D(max)}=(V_{IN}-V_O)•I_O=20(W).

*2: Refer to the dropout voltage.(Refer to Setting DC Input Voltage on page 7.)

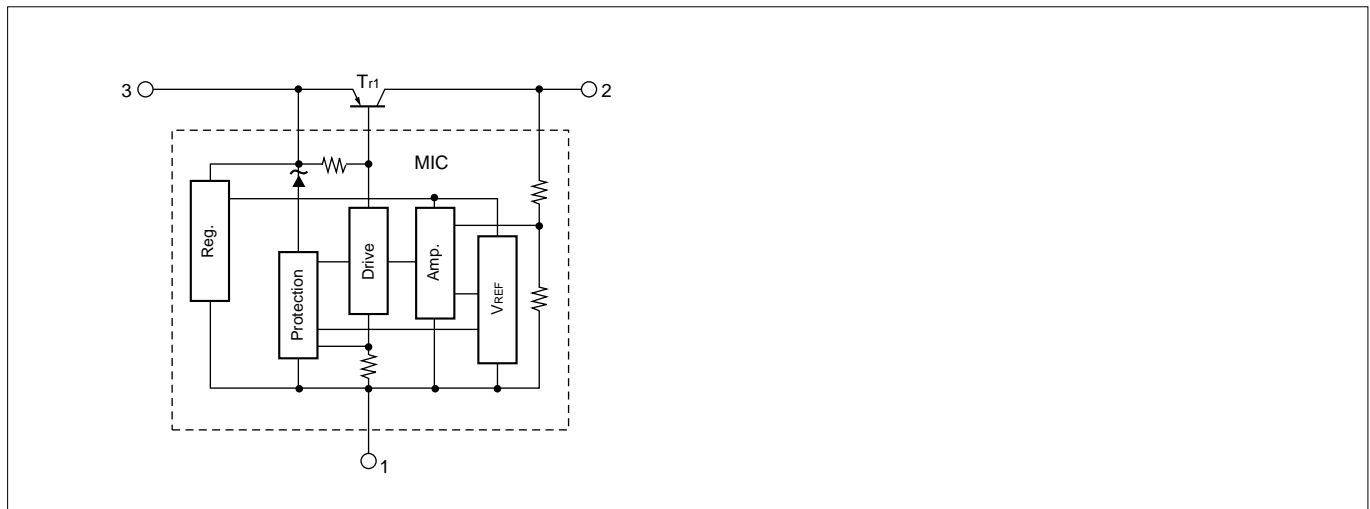
*3: I_{s1} is specified at -5(%) drop point of output voltage V_O on the condition that V_{IN}=V_O+3V, I_O=1A.

■External Dimensions

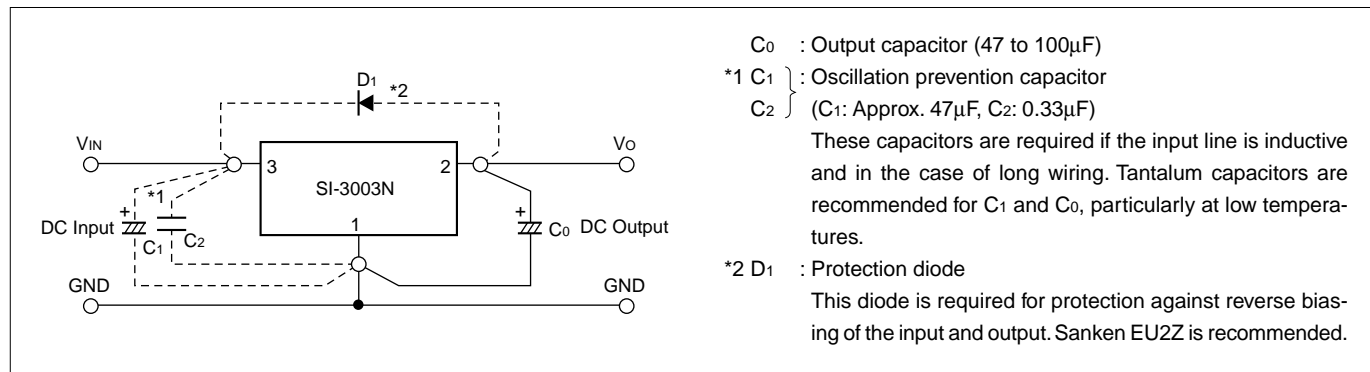
(unit:mm)



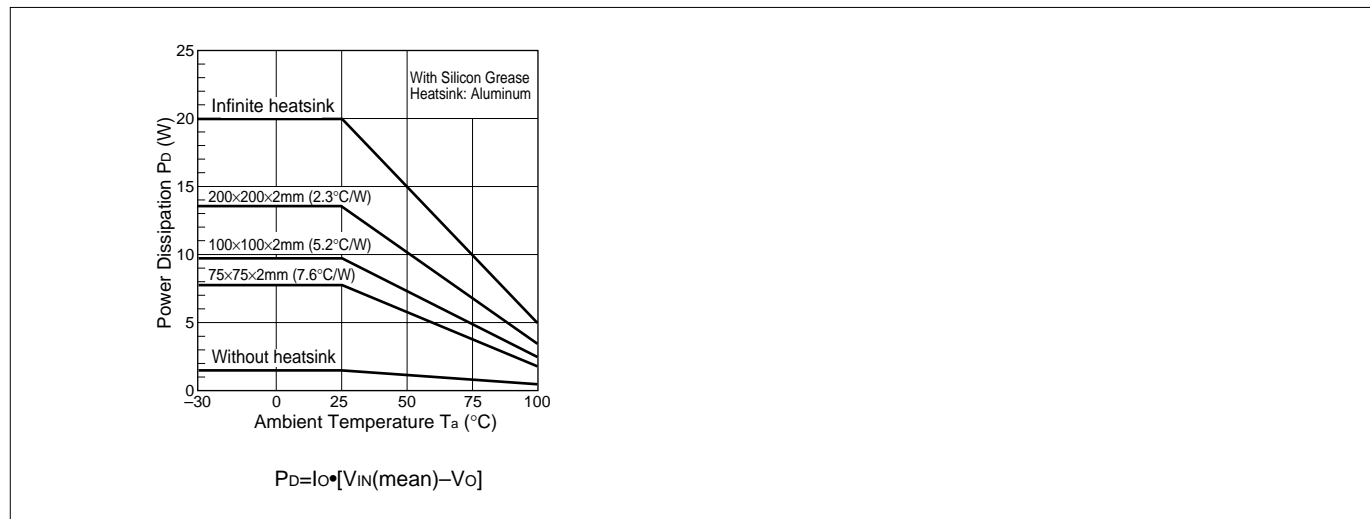
■Block Diagram



■Standard External Circuit



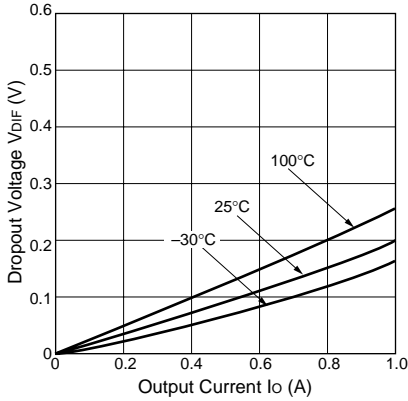
■ T_a - P_D Characteristics



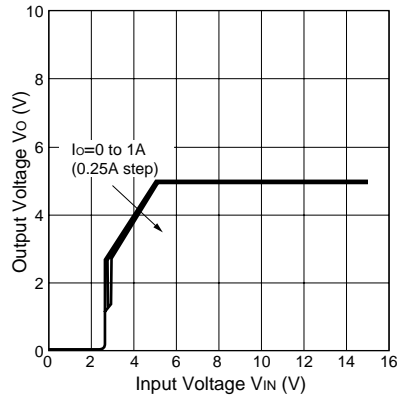
■Typical Characteristics

($T_a=25^\circ\text{C}$)

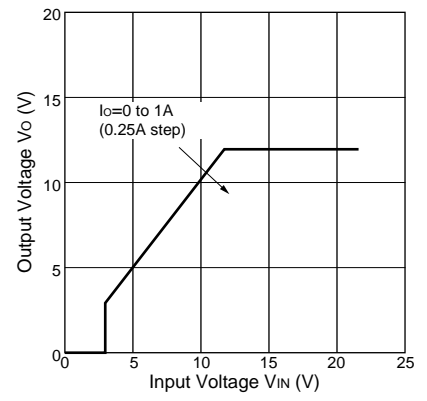
I_o vs. V_{DIF} Characteristics



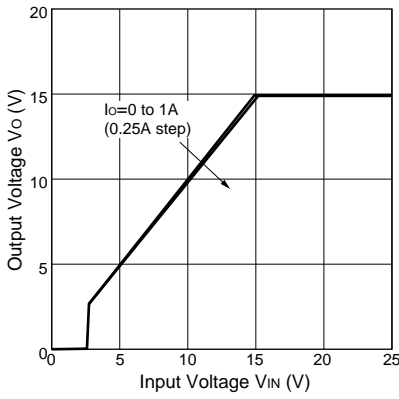
Output Voltage(SI-3053N)



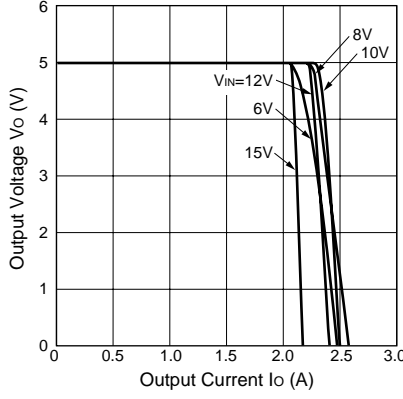
Output Voltage(SI-3123N)



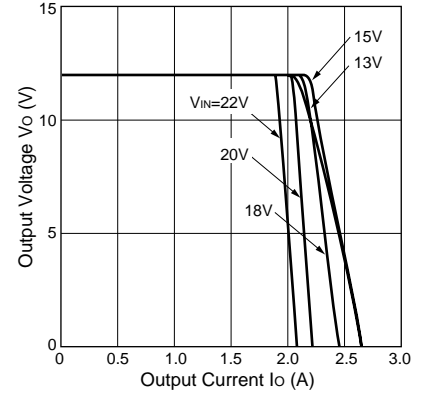
Output Voltage(SI-3153N)



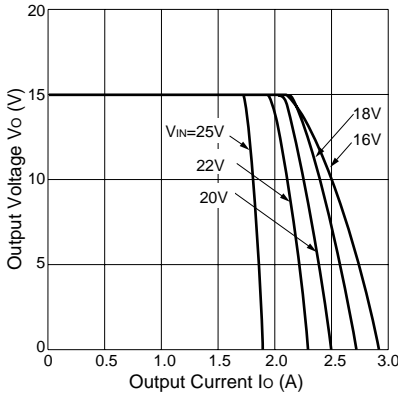
Overcurrent Protection Characteristics(SI-3053N)



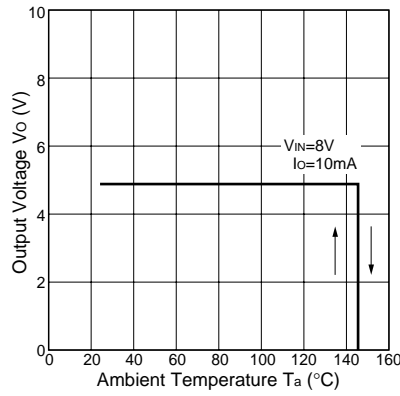
Overcurrent Protection Characteristics(SI-3123N)



Overcurrent Protection Characteristics(SI-3153N)



Thermal Protection Characteristics(SI-3053N)



Note on Thermal Protection:

The thermal protection circuit is intended for protection against heat during instantaneous short-circuiting. Its operation is not guaranteed for continuous heating condition such as short-circuiting over extended periods of time.