

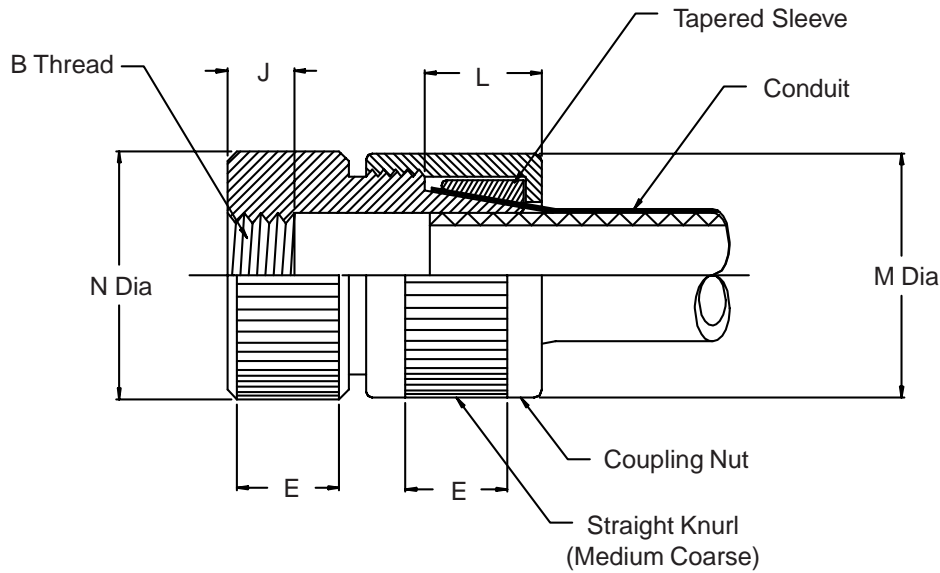
# M24758/2 Straight Conduit Fitting



**M24758/2-16-A**

Basic Part No. \_\_\_\_\_  
 Conduit Size Code \_\_\_\_\_

Material Designator:  
 A = Aluminum  
 B = Brass  
 C = CRES 316



**TABLE I**

Conduit Size Code	B THREAD (Class 2B)	E KNURL LENGTH		J THREAD LENGTH		L CONE LENGTH		M DIA (Maximum)	N DIA (Maximum)
		±.06 (15.2)	(15.2)	+06 (15.2)	-0	±.06 (15.2)	(15.2)		
02	0.438 - 28 UNEF	.500	(12.7)	.210	(5.3)	.750	(19.1)	.930 (23.6)	.700 (17.8)
03	0.563 - 24 UNEF	.500	(12.7)	.250	(6.4)	.750	(19.1)	1.120 (28.4)	.820 (20.8)
04	0.688 - 24 UNEF	.620	(15.7)	.250	(6.4)	.750	(19.1)	1.250 (31.8)	.970 (24.6)
05	0.813 - 20 UNEF	.620	(15.7)	.310	(7.9)	.750	(19.1)	1.430 (36.3)	1.120 (28.4)
06	0.938 - 20 UNEF	.750	(19.1)	.310	(7.9)	.750	(19.1)	1.620 (41.1)	1.220 (31.0)
08	1.250 - 18 UNEF	.750	(19.1)	.370	(9.4)	1.000	(25.4)	1.810 (46.0)	1.530 (38.9)
10	1.563 - 18 UNEF	.870	(22.1)	.370	(9.4)	1.000	(25.4)	2.180 (55.4)	1.810 (46.0)
12	1.875 - 16 UN	.870	(22.1)	.430	(10.9)	1.000	(25.4)	2.560 (65.0)	2.120 (53.8)
16	2.375 - 16 UN	1.000	(25.4)	.430	(10.9)	1.000	(25.4)	3.060 (77.7)	2.620 (66.5)
20	2.875 - 16 UN	1.000	(25.4)	.430	(10.9)	1.000	(25.4)	3.680 (93.5)	3.120 (79.2)
24	3.375 - 16 UN	1.000	(25.4)	.430	(10.9)	1.000	(25.4)	4.380 (111.3)	3.620 (91.9)

1. The function of the M24758/2 fitting is to terminate flexible shielding conduit and to provide a standard thread for attaching all M24758/9 through M24758/19 fittings.
2. Metric dimensions (mm) are indicated in parentheses.
3. For complete dimensions see applicable Military Specification.