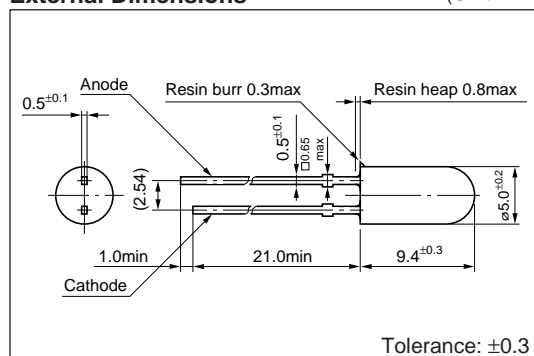


5 ϕ Round Narrow-directivity LED (Direct Mount)

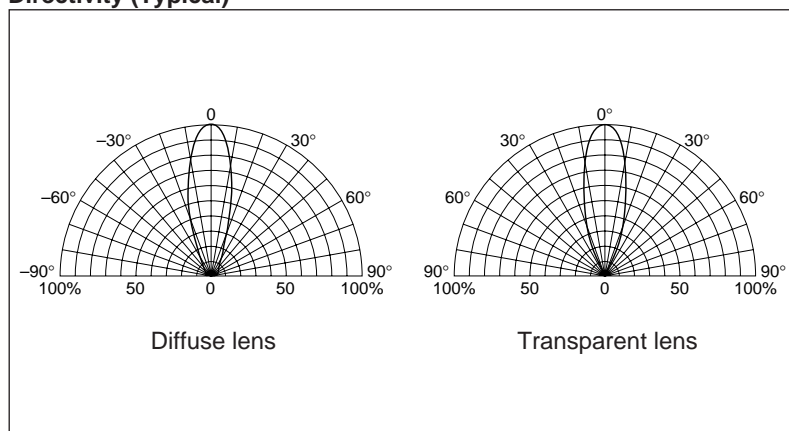
SEL1050M Series

External Dimensions

(Unit: mm)



Directivity (Typical)



Absolute maximum ratings (Ta=25°C)

| Symbol | Unit | Rating | | | Condition |
|------------------|-------|-------------|---------|------------|------------------|
| | | GaP/GaAsP | AlGaInP | InGaN | |
| I _F | mA | 30 | | | |
| ΔI _F | mA/°C | -0.45 | | | Above 25°C |
| I _{FP} | mA | 100 | | | f=1kHz, tw≤100μs |
| V _R | V | 3 | 4 | 5 | |
| Top | °C | -30 to +85 | | -25 to +85 | |
| T _{stg} | °C | -30 to +100 | | | |

Electrical Optical characteristics (Ta=25°C)

| Emitting color | Part Number | Lens color | Forward voltage | | Reverse current | | Intensity | | Peak wavelength | | Spectrum half width | | Chip material | |
|---------------------------------|---------------|--------------------|-----------------------|-------------------------------------|------------------------|------------------------------------|-------------------------|-------------------------------------|------------------------|-------------------------------------|---------------------|-------------------------------------|---------------|---------|
| | | | V _F (V) | Condition I _F (mA) | I _R (μA) | Condition V _R (V) | I _v (mcd) | Condition I _F (mA) | λ _P (nm) | Condition I _F (mA) | Δλ (nm) | Condition I _F (mA) | | |
| | | | | | | | | | | | | | | typ |
| Ultra-high-intensity red | SELU1250CM | Clear | 2.0 | 2.5 | 10 | 100 | 4 | 900 | 20 | 635 | 10 | 15 | 10 | AlGaInP |
| Red | SELU1250SM | Transparent red | 1.9 | 2.5 | 10 | 50 | 3 | 75 | 20 | 630 | 10 | 35 | 10 | GaAsP |
| | SELU1250RM | Diffused red | | | | | | 48 | | | | | | |
| Amber | SELU1850AM | Transparent orange | 1.9 | 2.5 | 10 | 50 | 3 | 90 | 20 | 610 | 10 | 35 | 10 | GaAsP |
| | SELU1850DM | Diffused orange | | | | | | 60 | | | | | | |
| Orange | SELU1950KM | Transparent orange | 1.9 | 2.5 | 10 | 50 | 3 | 96 | 20 | 587 | 10 | 33 | 10 | |
| Green | SELU1450EKM | Transparent green | 2.0 | 2.5 | 10 | 50 | 3 | 190 | 20 | 560 | 10 | 20 | 10 | GaP |
| | SELU1450GM-YG | Diffused green | | | | | | 120 | | | | | | |
| Pure green | SELU1550CM | Clear | 2.0 | 2.5 | 10 | 50 | 3 | 72 | 20 | 555 | 10 | 20 | 10 | |
| Ultra-high-intensity pure green | SELU1D50CM | Clear | 3.3 | 4.0 | 20 | 10 | 5 | 6000 | 20 | 525 | 10 | 35 | 10 | InGaN |
| Ultra-high-intensity blue | SELU1E50CM | Clear | 3.3 | 4.0 | 20 | 10 | 5 | 1850 | 20 | 470 | 10 | 35 | 10 | |