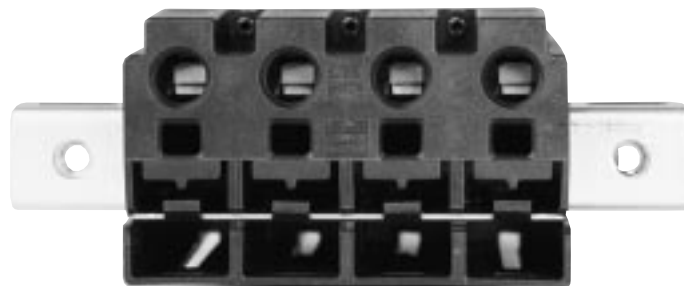


Fused Disconnect Switch

TP15900-4W



TP15900-4W

4-Pole Disconnect Switch

For use with Telpower® fuses Type TPA.

Screwless Terminals with Cage-Clamp Springs
licensed by "Wago"

Electrical Rating: 4 poles, 40A per pole at 145V DC
50A per pole at 80V DC

Agency Approvals:

U.L. Recognized (Investigated to U.L. 1801) as a disconnect switch for interruption of load current by means of withdrawing the fuse carrier.

U.L. Recognized as a component for telecommunication power distribution equipment (U.L. category QPQY2).

U.L. Recognized to meet the requirements for Canadian Standards.

Catalog Numbers

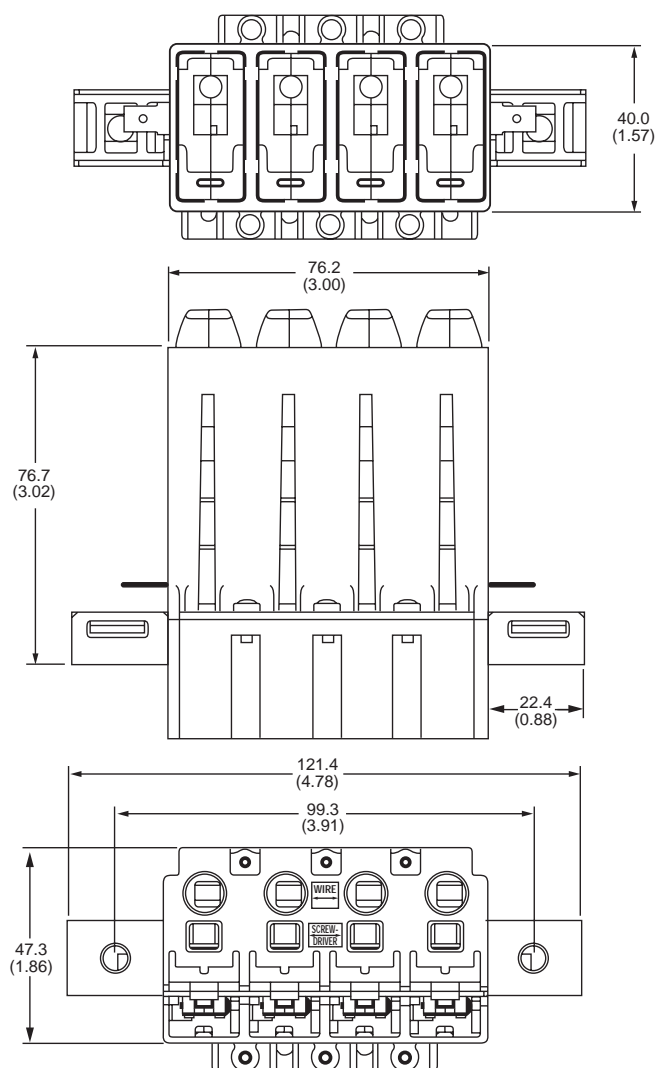
TP15900-4W	Wago clamp
TP15900-41W	Wago clamp, split alarm, split line

General Information:

- Ease of installation - connection directly to bus bar.
- Reduces external wiring per pole.
- LED alarm signaling (LED current 30mA max.).
- Open fuse indication.
- Alarm test probe point, to allow on-site checking of alarm circuitry.
- Fuse presence indication.
- Fuse orientation rejection feature.
- Rear accessibility for line and load terminations.
- Screwless load terminals with cage-clamp springs licensed by "Wago".
- Wire range—AWG (24-8).
- No hardware required for load terminations.
- Reduction of wiring time.

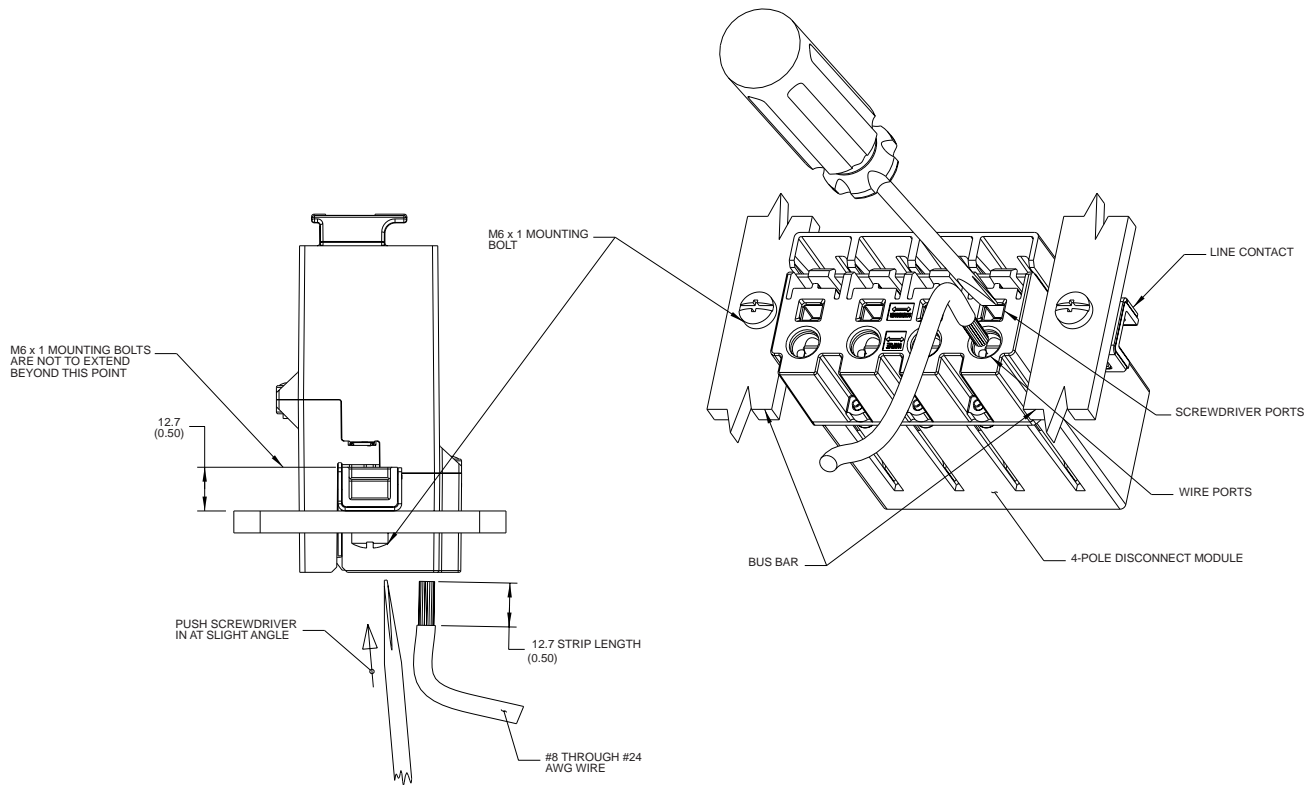
Material: U.L. rated 94-V0, 140°C rated

Dimensional Data



Fused Disconnect Switch

TP15900-4W



Load Wire Attachment Procedure:

For TP15900-4W, TP15900-41W, 15900-4WLT, and 15900-41WLT

1. Mount the 4-pole disconnect module firmly to bus bar using a M6 x 1 bolt at each end of the line contact.
(Recommended torque 72 in-lb)
2. Insert 1/32" thick x 7/32" wide slotted screwdriver at a slight angle in the square hole at the rear of the module until it seats. Approximately 3/4" (19.0mm) into the block.
WARNING: DO NOT TWIST THE SCREWDRIVER WHILE INSERTED IN THE SQUARE HOLE. DAMAGE MAY RESULT TO THE WIRE RETAINING SPRING.
3. Strip wire 1/2" and insert into the round hole of the load terminal corresponding to the screwdriver location.
Wire range: #8 through #24 AWG.
4. Remove screwdriver.

The only controlled copy of this BIF document is the electronic read-only version located on the Bussmann Network Drive. All other copies of this BIF document are by definition uncontrolled. This bulletin is intended to clearly present comprehensive product data and provide technical information that will help the end user with design applications. Bussmann reserves the right, without notice, to change design or construction of any products and to discontinue or limit distribution of any products. Bussmann also reserves the right to change or update, without notice, any technical information contained in this bulletin. Once a product has been selected, it should be tested by the user in all possible applications.