

Line Frequency Capacitors 50/60Hz

ESTAprop®/ESTAdry® 200 - 1000V, SELF-COOLING, SINGLE-PHASE

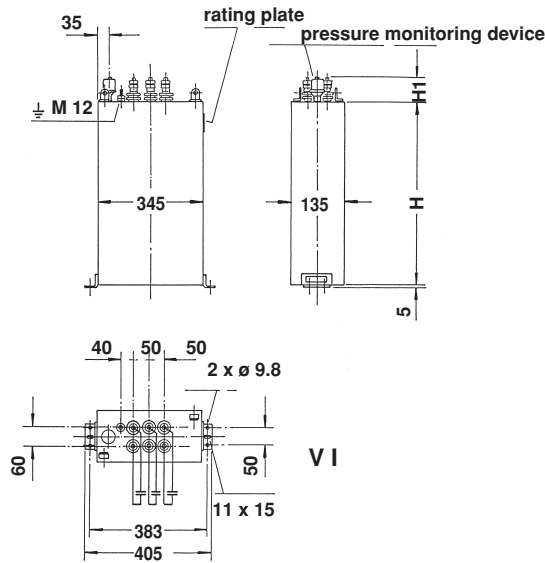
DESIGN

- MKP-type wound elements in high-quality steel sheet or brass sheet welded casing;
- Casing varnish RAL 7033;
- IP00, indoor, - 25°C/+ 45° C (unless otherwise confirmed);
- Self-healing, with overpressure switch ("DR") or tear-off fuse (A)*, (*available only for a limited number of types!);

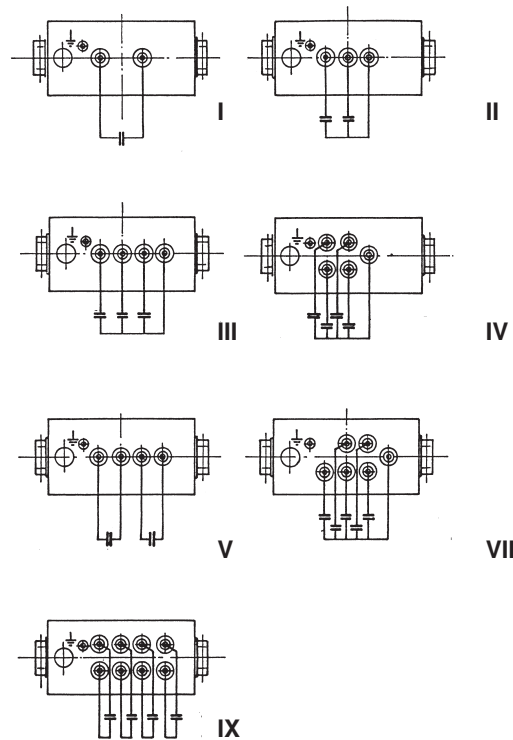
- Connection bolt M12, or M20 (depending on application current);
- Grounding bolt M12;
- Mounting in the upright position, or horizontally on the narrow side.

Water-cooled capacitors can be supplied upon request.

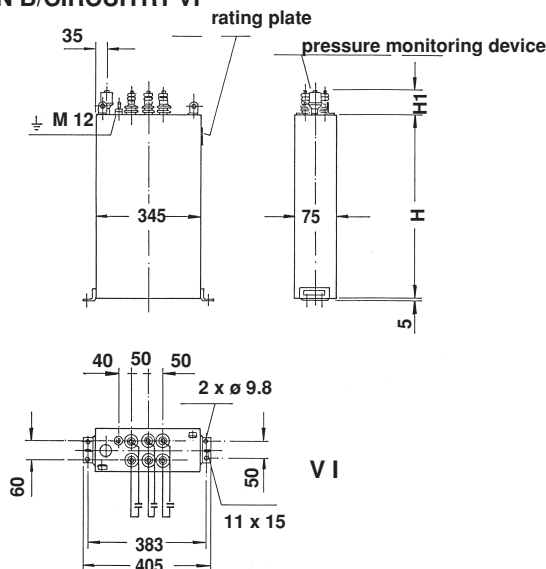
VERSION A/CIRCUITRY VI



ADDITIONAL CIRCUITRY VERSIONS



VERSION B/CIRCUITRY VI



200 – 1000V, 50Hz (60Hz on request)								
U _N (V)	Q _N (kVAr)	SUBDIVISIONS .. x ..kVAr	C _N (μF)	I _N (A)	VERSION/ CIRCUITRY	H mm	BUSHING	TYPE Phmkp ...
200	200	3 x 67	15915	1000	A / VI	900	M12	..200/200/1 S-DR
200	200	3 x 67	15915	1000	B / VI	730	M 12	..200/200/1 S-DR
250	250	3 x 83	12732	1000	A / VI	720	M 12	..250/250/1 S-DR
250	250	3 x 83	12732	1000	B / VI	570	M 12	..250/250/1 S-DR
400	400	3 x 133	7958	1000	A / VI	650	M 12	..400/400/1 S-DR
400	400	3 x 133	7958	1000	B / VI	570	M 12	..400/400/1 S-DR
440	440	3 x 147	7234	1000	A / VI	720	M 12	..440/440/1 S-DR
440	440	3 x 147	7234	1000	B / VI	560	M 12	..440/440/1 S-DR
500	500	3 x 167	6366	1000	A / VI	910	M 12	..500/500/1 S-DR
500	500	3 x 167	6366	1000	B / VI	720	M 12	..500/500/1 S-DR
550	510	3 x 170	5367	927	A / VI	970	M 12	..550/510/1 S-DR
550	550	3 x 183	5787	1000	B / VI	800	M 12	..550/550/1 S-DR
600	510	3 x 170	4509	850	A / VI	970	M 12	..600/510/1 S-DR
600	550	3 x 183	4863	917	B / VI	820	M 12	..600/550/1 S-DR
660	420	2 x 210	3069	636	A / V	960	M 12	..660/420/1 S-DR
660	550	3 x 183	4019	833	B / VI	970	M 12	..660/550/1 S-DR
750	550	3 x 183	3112	733	A / VI	970	M 12	..750/550/1 S-DR
750	600	3 x 200	3395	800	B / VI	860	M 12	..750/600/1 S-DR
800	600	3 x 200	2984	750	A / VI	950	M 12	..800/600/1 S-DR
800	630	3 x 210	3133	788	B / VI	790	M 12	..800/630/1 S-DR
900	630	3 x 210	2476	700	A / VI	910	M 12	..900/630/1 S-DR
900	675	3 x 225	2653	750	B / VI	790	M 12	..900/675/1 S-DR
1000	555	3 x 185	1767	555	A / VI	970	M 12	..1/555/1 S-DR
1000	675	3 x 225	2149	675	B / VI	940	M 12	..1/675/1 S-DR

Shown are the maximum power ratings, other power ratings, voltages, and subdivisions on request.