

### Features

- Complete GPS correlator and Firefly MF1 microcontroller core
- ARM7TDMI™ (Thumb®) Microprocessor, with JTAG ICEBreaker™ Debug Interface
- Fully Configurable External Data Bus
- 12 Fully Independent Correlation Channels
- Low Voltage Operation: 3-3V
- Low Current Power-Down Mode
- 1PPS UTC Aligned Timing Output
- Dual UART
- 3-wire BμILD Serial Input/Output (BSIO) Interface
- 8 General Purpose Input/Output (GPIO) Lines
- Boot ROM, allowing Software Upload via UART
- 8K Bytes Internal SRAM
- Compatible with GP2015 and GP2010 RF Front Ends

### Applications

- GPS Navigation Systems
- GPS Geodetic Receivers
- Time Transfer Receivers
- Automatic Vehicle Location (AVL)
- E911 Emergency Positioning

### Related Products

Part	Description	Data sheet
GP2015	GPS Receiver RF Front End (TQFP 48 package)	DS4374
GP2010	GPS Receiver RF Front End (PQFP 44 package)	DS4056

DS5134

ISSUE 4.4

May 2002

### Ordering Information

GP4020/IG/GQ1N (trays)  
 GP4020/IG/GQ1Q (tape and reel, 1000 units per reel)

The GP4020 is available in a 100 pin PQFP package in Industrial (-40°C to +85°C) grade. The ordering code is standard for screened devices

### Description

The GP4020 is a complete digital baseband processor for a Global Positioning System (GPS) receiver. It combines the 12-channel correlator function of the GP2021 with an advanced ARM7TDMI (Thumb) microprocessor to achieve a higher level of integration, reduced system cost, reduced power consumption and added functionality. The GP4020 complements the GP2015 and GP2010 C/A code RF downconverters available from Zarlink Semiconductor.

The correlator section contains 12 identical tracking module blocks, one for each channel. Each channel contains all the components necessary for acquiring and tracking the received signal, and also contains other functional blocks, which are used to produce part of the measurement data set. Individual channels may be deactivated for systems not requiring full 12-channel operation and thus allowing for reduced power consumption and processor loading.

The microprocessor section contains the Firefly MF1 microcontroller core, which includes an ARM7TDMI with a Thumb instruction de-compressor plus the Firefly BμILD module. Also included are a second UART, BμILD Serial I/O, General I/O and Watchdog functions.

### Absolute Maximum Ratings

Supply voltage ( $V_{DD}$ ) from ground (GND)	-0.5V to +5.0V
Bias for 5V inputs	+7.0V max.
Input voltage (any input pin)	GND-0.5V to $V_{DD}+0.5V$
Output voltage (any output pin)	GND-0.5V to $V_{DD}+0.5V$
Storage temperature	-55°C to +150°C
Static discharge (HBM)*	2kV

\*Mil Std 883 Human Body Model = discharge from 100pF through 1500Ω between any 2 pins

# GP4020

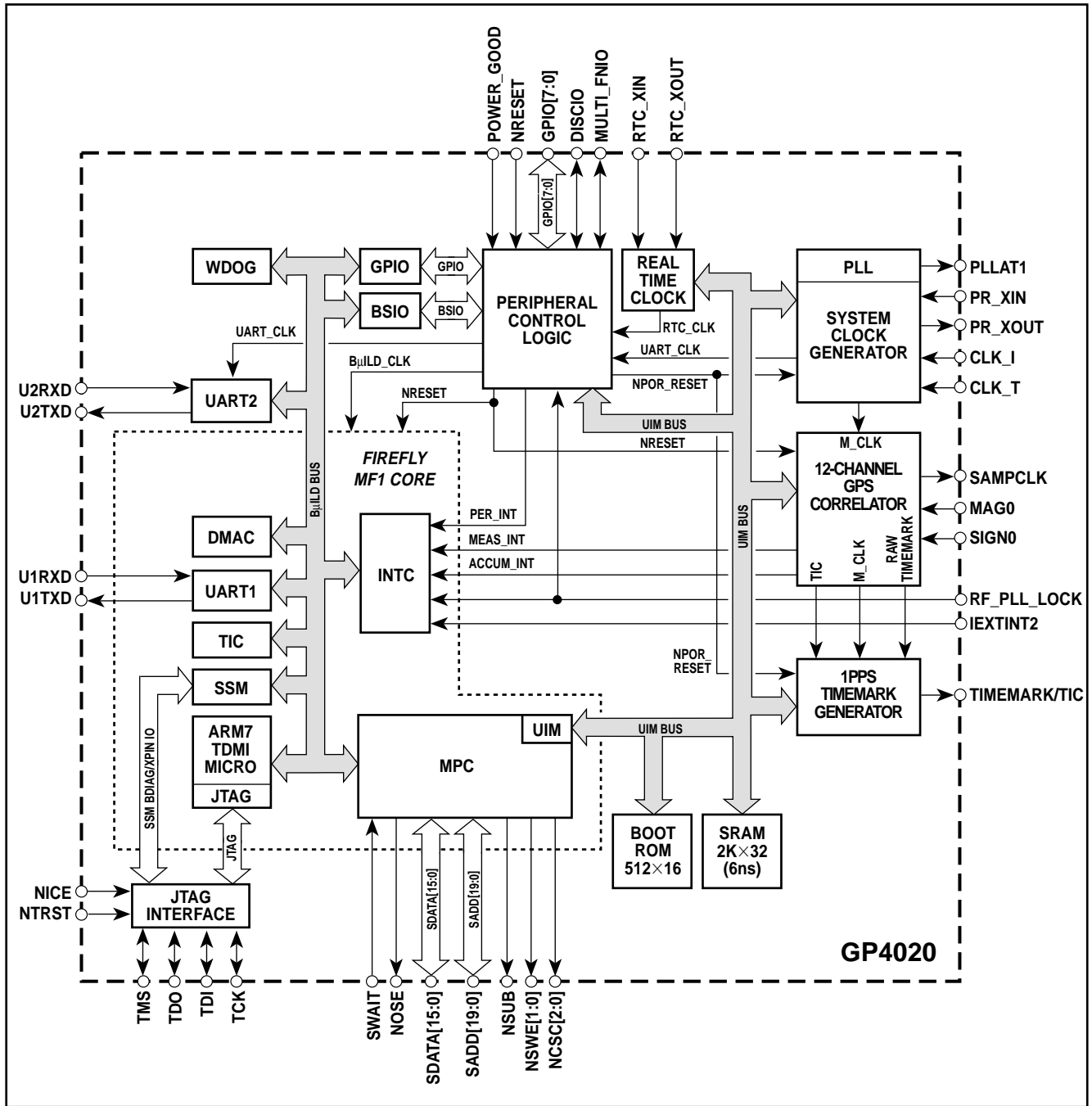


Figure 1 - Block diagram

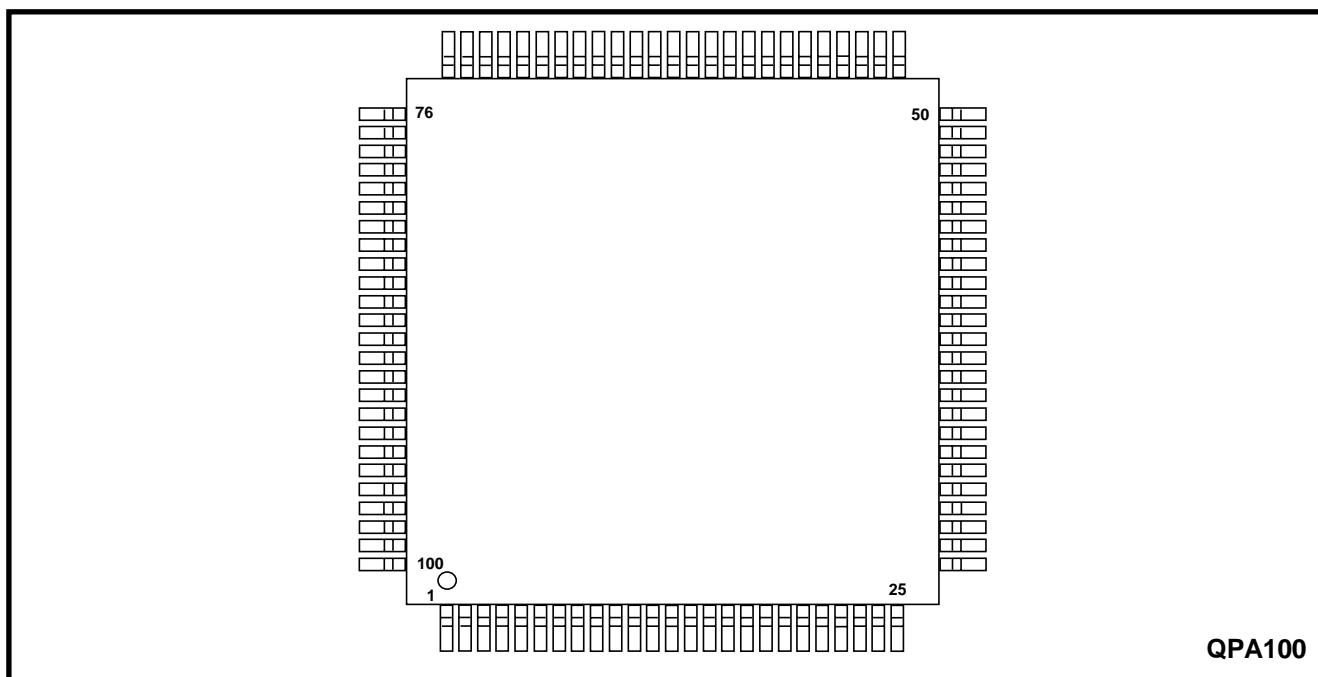


Figure 2 - Pin connections (top view)

Pin No.	Signal Name	Type	Associated circuit block	Description	Notes
1	SADD[0]	I/O	MPC	System Address bit 0	
2	SADD[1]	I/O	MPC	System Address bit 1	
3	SADD[2]	I/O	MPC	System Address bit 2	
4	SADD[3]	I/O	MPC	System Address bit 3	
5	SADD[4]	I/O	MPC	System Address bit 4	
6	SADD[5]	I/O	MPC	System Address bit 5	
7	GNDPWR				
8	SADD[6]	I/O	MPC	System Address bit 6	
9	SADD[7]	I/O	MPC	System Address bit 7	
10	V <sub>DD</sub> PWR				
11	NSCS[0]	I/O	MPC	System Chip Select 0 - Active Low	1
12	NSCS[1]	O	MPC	System Chip Select 1 - Active Low	1
13	NSCS[2A]	O	MPC	System Chip Select 2A - Active Low	1
14	SADD[19]	O	MPC	System Address bit 19	
15	SDATA[0]	I/O	MPC	System Data bit 01	
16	SDATA[1]	I/O	MPC	System Data bit 11	
17	SDATA[2]	I/O	MPC	System Data bit 21	
18	SDATA[3]	I/O	MPC	System Data bit 31	
19	GNDPWR				
20	SDATA[4]	I/O	MPC	System Data bit 41	
21	SDATA[5]	I/O	MPC	System Data bit 51	
22	V <sub>DD</sub> PWR				
23	SDATA[6]	I/O	MPC	System Data bit 61	

Table 1 - Pin descriptions

Cont...

All V<sub>DD</sub> and GND pins must be connected to ensure reliable operation. Any unused input pins must be tied either high or low; no inputs should be left unconnected.

# GP4020

Pin No.	Signal Name	Type	Associated circuit block	Description	Notes
24	SDATA[7]	I/O	MPC	System Data bit 7	1
25	NSOE	I/O	MPC	System Output Enable, active low	1
26	NSWE[1]	I/O	MPC	System Write Enable bit 1, active low	1
27	NSWE[0]	I/O	MPC	System Write Enable bit 0, active low	1
28	SDATA[8]	I/O	MPC	System Data bit 8	1
29	SDATA[9]	I/O	MPC	System Data bit 9	1
30	V <sub>DD</sub>	PWR			
31	SDATA[10]	I/O	MPC	System Data bit 10	1
32	SDATA[11]	I/O	MPC	System Data bit 11	1
33	GND	PWR			
34	SDATA[12]	I/O	MPC	System Data bit 12	1
35	SDATA[13]	I/O	MPC	System Data bit 13	1
36	SDATA[14]	I/O	MPC	System Data bit 14	1
37	SDATA[15]	I/O	MPC	System Data bit 15	1
38	SADD[18]	I/O	MPC	System Address bit 18	
39	SADD[17]	I/O	MPC	System Address bit 17	
40	SADD[16]	I/O	MPC	System Address bit 16	
41	GND	PWR			
42	SADD[15]	I/O	MPC	System Address bit 15	
43	SADD[14]	I/O	MPC	System Address bit 14	
44	V <sub>DD</sub>	PWR			
45	SADD[13]	I/O	MPC	System Address bit 13	
46	SADD[12]	I/O	MPC	System Address bit 12	
47	SADD[11]	I/O	MPC	System Address bit 11	
48	SADD[10]	I/O	MPC	System Address bit 10	
49	SADD[9]	I/O	MPC	System Address bit 9	
50	SADD[8]	I/O	MPC	System Address bit 8	
51	SWAIT	I	MPC	System Wait input - allows wait-states to be inserted into the current Firefly clock cycle.	
52	NSUB	O	MPC	System Upper Byte, active low.	1,2
53	IEXTINT2	I	INTC	Interrupt source 2 input (for external interrupts).	
54	MULTI_FNIO	I/O	PCL	Multi-function Input / Output. Used to set Boot Up ROM area, and source either 100kHz square wave or System Clock.	
55	DISCIO	I/O	PCL	Discrete Input / Output. Used either as input or to source RF_Power_Down control signal or TIC.	3
56	RF_PLL_LOCK	I	INTC /PCL	PLL Lock Indicator input from RF section. When high this signal indicates that the PLL within the RF section is in lock and the master-clock inputs have stabilised.	
57	A1V <sub>DD</sub>	PWR	SCG	V <sub>DD</sub> Supply for CLK_T & CLK_I input block in the System Clock Generator. This pin should be well decoupled to pin 60 (GND) to ensure optimum noise immunity	
58	CLK_T	I	SCG	Master Clock Input from RF front end 40MHz 100mV rms.	4
59	CLK_I	I	SCG	Inverted Master Clock Input from RF front end: 40MHz 100mV rms.	4

Table 1 - Pin descriptions (continued)

Cont...

Pin No.	Signal name	Type	Associated circuit block	Description	Notes
60	GND	PWR			
61	SIGN0	I	CORR	Sampled Sign (polarity) data from RF front end.	
62	MAG0	I	CORR	Sampled Mag (amplitude) data from RF front end.	
63	SAMPCLK	O	CORR	Sample Clock output to the RF front end. Provides a 5.714MHz clock with a 4:3 mark to space ratio.	
64	POWER_GOOD	I	PCL	Power Monitor input, high for normal operation; low forces the GP4020 into Power Down mode.	
65	PR_XOUT	O	SCG	System Clock Oscillator - crystal output for 10 to 16MHz crystal.	
66	PR_XIN	I	SCG	System Clock Oscillator - crystal input for 10 to 16MHz crystal.	
67	TEST	I		<i>TEST select pin, used with TESTMODE (pin 74). Used for test purposes only and should be connected to GND in normal operation.</i>	5
68	V <sub>DD</sub>	PWR			
69	TIMEMARK / TIC	O	1PPS	Timemark output. This pin can be used to produce a UTC-aligned 1 PPS output, or TIC output.	
70	IDDQTEST	I		<i>TEST select pin, used with TESTMODE (pin 74). Used for test purposes only and should be connected to GND in normal operation.</i>	
71	GND	PWR			
72	RTC_XIN	I	RTC	Real-time Clock Oscillator input for 32kHz crystal.	
73	RTC_XOUT	O	RTC	Real-time Clock Oscillator output for 32kHz crystal.	
74	TESTMODE	I		<i>TEST select pin, used with TEST (pin 67). Used for test purposes only and should be connected to GND in normal operation.</i>	5
75	NSRESET	I	PCL	System Reset input.	
76	U2TXD	O	UART2	UART 2 Transmit data output.	
77	U2RXD	I	UART2	UART 2 Receive data input.	3
78	U1TXD	O	UART1	UART 1 Transmit data output.	
79	U1RXD	I	UART1	UART 1 Receive data input.	3
80	PLLGND	PWR	SCGPLL	GND connection for PLL Block.	
81	PLLVDD	PWR	SCGPLL	V <sub>DD</sub> connection for PLL Block.	
82	GND	PWR			
83	PLLAT1	O	SCGPLL	<i>System Clock Generator PLL Analog Test I/O. Reserved for TEST purposes only and should NOT be connected in normal operation.</i>	
84	NICE	I	JTAG/SSM MULTIPLEX	ARM7 operating mode and JTAG / SSM Signal Multiplex (pins 86, 87, 88, 89).	6
85	V <sub>DD</sub>	PWR			
86	TCK/bdiag[0]/XReq	I/O	JTAG/SSM	JTAG Test Clock/SSM Diagnostic broadcast debug output bdiag[0]/System test control input XReq.	6
87	TDI/bdiag[1]/XWrite	I/O	JTAG/SSM	JTAG Test Data In/SSM Diagnostic broadcast debug output bdiag[1]/System Test control input XWrite.	6
88	TDO/bdiag[2]/XBurst	I/O	JTAG/SSM	JTAG Test Data Out/SSM Diagnostic broadcast debug output bdiag[2]/System test control input XBurst.	6

Table 1 - Pin descriptions (continued)

Cont...

# GP4020

Pin No.	Signal name	Type	Associated circuit block	Description	Notes
89	TMS/bdiag[3]/XCon	I/O	JTAG/SSM	JTAG Test Mode Select/SSM Diagnostic broadcast debug output bdiag[3]/System test control input XCon.	6
90	NTRST	I	JTAG/SSM	JTAG interface Reset or SSM debug interface multiplex (pins 86, 87, 88 and 89).	6
91	GPIO[7]/PLLDT1	I/O	GPIO/SCG PLL	General Purpose Input/Output 7. Can be multiplexed to SCG PLL Digital Test Output (PLLDT1).	3
92	GPIO[6]	I/O	GPIO	General Purpose Input/Output 6.	3
93	GPIO[5]/DISCOP	I/O	GPIO/CORR	General Purpose Input/Output 5. Can be multiplexed to DISCOP discrete output from correlator.	3
94	GND	PWR			
95	GPIO[4]/DISCIP1	I/O	GPIO/CORR	General Purpose Input/Output 4. Also directly connects to DISCIP1 on the 12-channel correlator.	3
96	GPIO[3]/BSIO_SS[1]	I/O	GPIO/BSIO	General Purpose Input/Output 3. Can be multiplexed to BSIO Slave Select[1].	3
97	GPIO[2]/BSIO_SS[0]	I/O	GPIO/BSIO	General Purpose Input/Output 2. Can be multiplexed to BSIO Slave Select[0].	3
98	V <sub>DD</sub>	PWR			
99	GPIO[1]/BSIO_DATA	I/O	GPIO/BSIO	General Purpose Input/Output 1. Can be multiplexed to BSIO Data Input/Output.	3
100	GPIO[0]/BSIO_CLK	I/O	GPIO/BSIO	General Purpose Input/Output pin 0. Can be multiplexed to BSIO_CLK output.	3

**Table 1 - Pin descriptions (continued)**

## NOTES

- High impedance is achieved on pins 11 to 18, 20, 21, 23 to 29, 31, 32, 34 to 37 when either:
  - Data is not being written from GP4020.
  - POWER\_GOOD (pin 64) is low.
  - Bit 1 (RF\_PD) of POW\_CNTL register is high.
  - Bit 10 (RF\_SLEEP) of POW\_CNTL register is high.
- NSUB (pin 52) is the Upper Byte select output from the Memory Peripheral Controller, when single chip 16-bit memories with NUB and NLB inputs are used. NSUB maps to NUB and address line SADD[0] to NLB.
- Input is tolerant to being driven with a +5V HIGH level, as well as +3-3V HIGH nominal level.
- Both CLK\_T (pin 58) and CLK\_I (pin 59) should not have an external DC bias of GREATER than +1.7V. Direct connection from a GP2010/GP2015 RF front end is NOT possible, without bias-shift circuit (Figure 3).
- TEST (pin 67) and TESTMODE (pin 74) are used together to set up manufacturing test modes for the GP4020, as shown in Table 2 (0 = GND, 1 = V<sub>DD</sub>).

TEST (pin 67)	TESTMODE (pin 74)	Test function
0	0	Normal operation
1	0	Firefly Macrocell test mode
0	1	Firefly System test mode
1	1	UIM logic test mode

**Table 2 - Test mode truth table**

Details of ALL test modes are covered in section 2.10 of the Zarlink Semiconductor Firefly MF1 Core Design Manual.

## NOTES (continued):

6. NICE (pin 84) and NRST (pin 90) control a number of operation modes and a debug on signal multiplex on pins 86 to 90 as follows:

NICE = low	ARM7TDMI in ICE mode. ARM7TDMI will not access memory unless instructed by the JTAG interface. NTRST (pin 90) set Low will reset the JTAG.
NICE = High	ARM7TDMI in Normal mode. ARM7TDMI does not effect the reset on the JTAG interface. However, a reset of Firefly will also reset the JTAG.

NTRST (pin 90) has a reset and signal-multiplex function, dependent on the state of NICE (pin 84):

- (i) NICE = Low:  
JTAG debug signals connected to pins 86, 87, 88, 89 & 90, as follows:  
 Pin 86 = TCK = JTAG clock in  
 Pin 87 = TDI = JTAG data in  
 Pin 88 = TDO = JTAG data out  
 Pin 89 = TMS = JTAG mode select in  
 Pin 90 = NTRST = Active low reset to JTAG interface  
 (JTAG interface also reset when Firefly MF1 is reset)
- (ii) NICE = High and NTRST = High:  
Normal mode of operation for GP4020. System Services Module Broadcast Diagnostic debug output signals connected to pins 86, 87, 88, 89 as follows:  
 Pin 86 = bdiag[0]  
 Pin 87 = bdiag[1]  
 Pin 88 = bdiag[2]  
 Pin 89 = bdiag[3]  
 Diagnostic mode must have been set-up using the Diagnostic Configuration Registers within Firefly MF1. Refer to Section 8 of Firefly MF1 Core Design Manual (DM5003), from Zarlink Semiconductor, for more information.
- (iii) NICE = High & NTRST = Low:  
Firefly MF1 System Test Control input signals connected to pins 86, 87, 88, 89 as follows:  
 Pin 86 = Xreq  
 Pin 87 = XWrite  
 Pin 88 = Xburst  
 Pin 89 = XCon

System test inputs are used in Firefly MF1 macrocell test mode for manufacturing test. Refer to Section 2.10 of Firefly MF1 Core Design Manual (DM5003), from Zarlink Semiconductor, for more information.

## Glossary:

1PPS	1 Pulse Per Second	ICE	In Circuit Emulation
ARM®	Advanced RISC Machines	INTC	Interrupt Controller
ARM7TDMI™	ARM7 microprocessor with Thumb, Debug, fast Multiplier and ICE Breaker Extensions	MPC	Memory Peripheral Controller
BμILD	Bus for μController Integration in Low-Power Designs	PCL	Peripheral Control Logic
B_CLK	BμILD bus system clock	PLL	Phase Locked Loop
BSIO	BμILD Serial Input / Output	RAM	Random Access Memory
CORR	12-channel Correlator	ROM	Read Only Memory
DMAC	Direct Memory Access Controller	RTC	Real Time Clock
Firefly MF1	Zarlink Semiconductor microcontroller cell, based on ARM7TDMI, DMAC, INTC, MPC, SYSTIC and UART	SCG	System Clock Generator
		SSM	System Services Module
		SYSTIC	System Timer / Counter module
		TIC	Timer / Counter
		UART	Universal Asynchronous Receiver/Transmitter
		UIM	Up-Integration Module
GPIO	General Purpose Input / Output	WDOG	Watchdog
GPS	Global Positioning System		

# GP4020

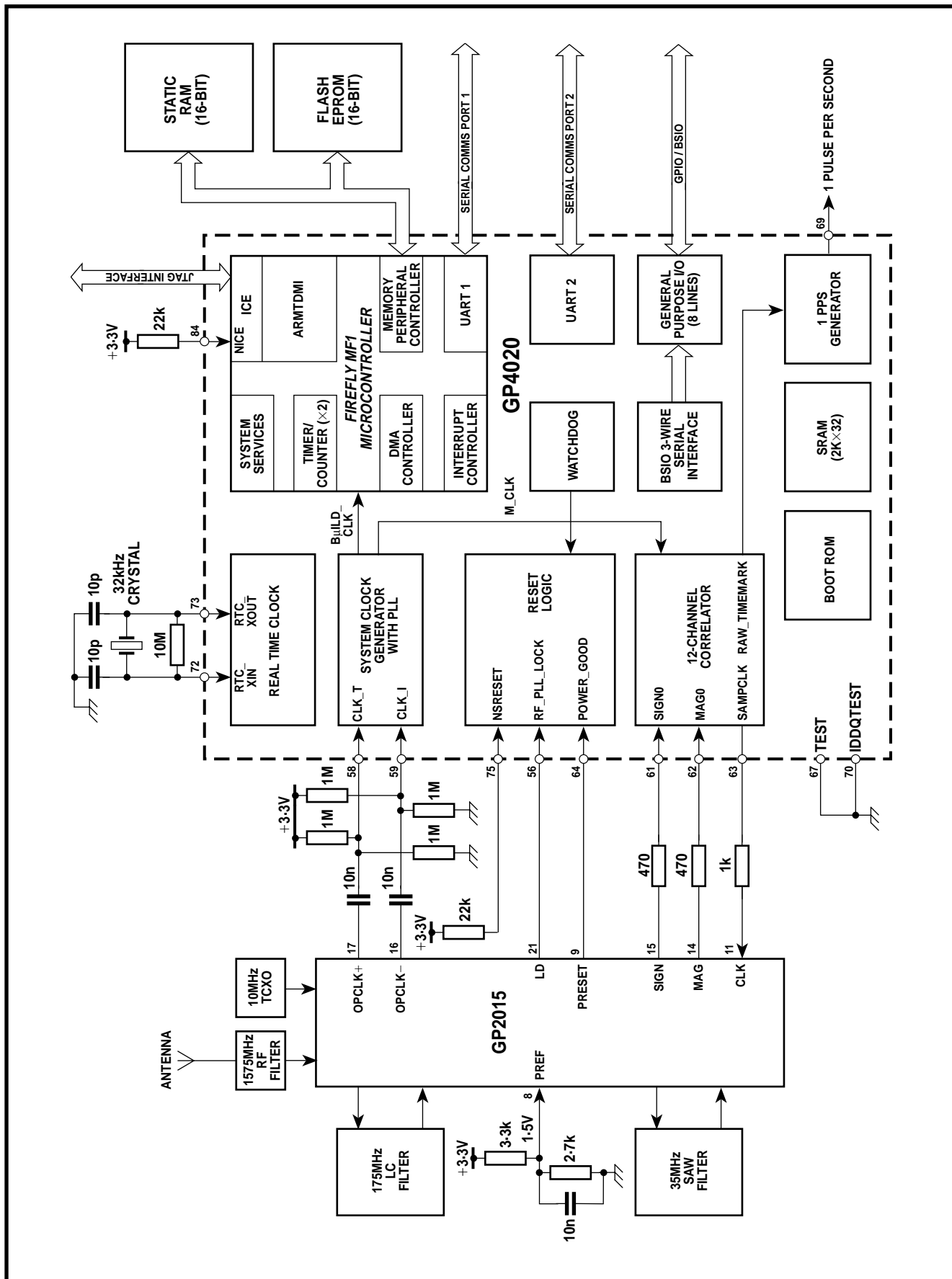


Figure 3 - Block diagram of a typical GP4020-based GPS receiver



## Typical GPS Receiver

Figure 3 shows a typical GPS receiver employing a GP2015 RF front end and a GP4020 correlator.

The RF section, GP2015, performs down conversion of the L1 (1575-42MHz) signal for digital baseband processing. The resultant signal is then correlated in the GPS correlator within the GP4020 with an internally generated replica of the satellite PRN code to be received. Individual codes for each channel may be selected independently to enable acquisition and tracking of up to 12 different satellites simultaneously.

The results of the correlations form the accumulated data and are transferred to the microprocessor to give the broadcast satellite data (the Navigation Message) and to control the software signal tracking.

## Device Description

The GP4020 is a complete baseband processor for Navstar GPS C/A code signals. It incorporates a 12-channel GPS correlator, a Zarlink Firefly MF1 microcontroller core (incorporating the ARM7TDMI Thumb microprocessor), Real Time Clock, 8KBytes of on-chip SRAM and a boot ROM. The GP4020 uses a fully configurable memory interface, allowing the use of 16-bit external memory. A block diagram of the GP4020 is shown in Figure 1.

The GP4020 GPS Baseband processor features:

- Firefly MF1 Core including ARM7TDMI Microprocessor
- 12-channel Navstar GPS C/A code correlator
- 1KByte Onboard Boot ROM
- 8KByte Onboard SRAM
- 8-bit General Purpose I/O
- Debugging Serial Access Ports - JTAG or SSM
- System Timer / Counters
- Real Time Clock
- BSIO: 3-wire serial interface
- Watchdog
- 1Pulse-Per-Second output, with 25ns resolution
- Flexible system Clock Generator - can use clock source from a crystal or from RF front end TCXO

## ARM Processor (ARM7TDMI)

The ARM7TDMI is a 32-bit RISC microprocessor core designed by Advanced RISC Machines (ARM). It uses a series 7 microprocessor core, with the following functional extensions:

- Thumb (16-bit) instruction set
- Debug interface using J-TAG
- Fast Multiplier
- Embedded In-Circuit Emulation capability

The ARM7TDMI is object code compatible with all earlier ARM6 and ARM7 based products. The ARM7TDMI is a fully static design and as such consumes dynamic power only when clocked.

## Boot ROM

The GP4020 BOOT ROM contains code which is executed every time there is a complete system reset (i.e. when main power has been removed from the GP4020).

The code installed on the BOOT ROM, allows the GP4020 to undertake either of 2 functions after a complete reset:

- Run External Flash EPROM from the EPROM base address.
- Load into the internal SRAM a unique program via the UART1 input. This could be used for test purposes, although the target use of this facility is to allow for field upgrades of GPS receiver firmware, in conjunction with a Flash EPROM.

## BμLD Bus

This is a modular bus architecture and specification, via which all on-chip modules communicate with each other. These modules can either be bus masters or slaves. A bus master can initiate a bus access, generate addresses and control read or write transfers. A bus slave responds to a bus master request when selected by the system address decoder, and may, if required, assert a wait signal on the bus until the relevant data transfer has been completed. All internal data transfers on the module bus are single cycle. The Firefly MF1 micro-controller has three modules that are capable of operating as Bus masters. These are the ARM7TDMI Core, DMAC and SSM, described below.

## BμLD Serial Input Output (BSIO)

This module produces a 2-channel 3-wire serial interface for up to 2 external 'Slave' serial interface devices (e.g. serial EEPROM). It provides both Micro-wire Interface and Serial Peripheral Interface (SPI) compatibility.

## 12-Channel Correlator

This module contains 12 channels of PRN code correlators for spread-spectrum correlation of 12 simultaneous signals. Each channel contains an independent carrier DCO to allow independent mix down of a satellite signal to baseband before code correlation occurs. The correlator is designed to extract data modulated at a nominal chipping rate of 1.023Mbps, and can be used on both Navstar C/A code GPS signals and Inmarsat WAAS codes.

## DMA Controller (DMAC)

Two DMA engines are available on the microcontroller. These are configured as a pair to provide a memory-to-memory DMA capability between any 2 locations in the ARM7TDMI memory space. They may be used independently for high speed fly-by transfers between UART1 (or UART2) and either on-chip or off-chip locations.

Single or multiple byte transfers (Demand or Burst Mode) are supported and may be word, half word or byte wide.

## Embedded Microcontroller Debug Options

The Firefly MF1 Core incorporates three sophisticated methods of hardware and software debug. The options are:

- Embedded ICE, accessed via the ARM7TDMI JTAG interface (Multi ICE access also possible)
- Angel Debug Monitor
- Logic Analyser coupled with an Inverse Assembler, accessed via the SSM debug interface

The GP4020 can use any of these options, but special emphasis has been placed on the Embedded ICE and Logic Analyser options. The JTAG and SSM debug interfaces are multiplexed onto the same pins, and can be selected by setting NICE (pin 84) high for SSM, or low for JTAG.

## Firefly MF1 Microcontroller core

The Firefly MF1 Microcontroller is an Embedded Microcontroller core developed by Zarlink Semiconductor. It combines the processing power of the ARM7TDMI microprocessor with a number of peripheral components:

- Direct Memory Access Controller (DMAC)
- Interrupt Controller (INTC)
- Memory Peripheral Controller (MPC), incorporating Up-Integration Module (UIM)
- System Services Module (SSM)
- System Timer/Counter (SYSTIC)
- Universal Asynchronous Receiver / Transmitter (UART)

## Interrupt Controller (INTC)

The ARM7TDMI core accepts two types of interrupt: Normal (IRQ) and Fast (FIQ). All Interrupts can be switched between types, depending upon the relative priorities required. The INTC is the central control logic that decodes the priority level and handles interrupt request signals from a total of 8 fixed pre-defined, internal sources and a number of external sources.

## General Purpose Input Output (GPIO)

This module provides 8 I/O pins, which may be bit or byte addressed and configured in a latched or transparent mode.

External Interrupts can be set for edge or level sensitivity with a polarity option. To minimise interrupt latency, there is a hard-wired priority scheme for each channel for both FIQ and IRQ; alternatively this can be ignored and the priority assessment handled in software.

## Memory/Peripheral Controller (MPC)

The MPC ensures the correct multiplexing of data is applied for bus transfers between 8, 16 or 32-bit on-chip or off-chip peripherals. Four different contiguous memory areas are available, each with an address range of 1 MByte, with individually programmable wait and stop state generation. A SWAP function allows memory area 1, which is addressed at system reset, to be switched with memory area 4. This allows, for example, booting from ROM and then switching memory area 1 to address SRAM so that time-critical software and interrupt routines can operate from fast memory.

## Peripheral Control Logic (PCL)

The GP4020 incorporates some specific control logic, which is used to control a number of functions:

- System Reset Control
- System Power-down, Sleep and Wake-up Control
- System Status and Control Registers
- Signal input/output multiplex control

## RAM

The GP4020 contains 8KBytes (configured as 2K332-bit) of high-speed (6ns) Static RAM. This can be used for either:

- Non-volatile storage of GPS data (Almanac, Ephemeris, Position and Receiver Clock Offset), while the receiver power is disabled
- A High-speed Interrupt Service Routine, while the GP4020 is powered up

The internal SRAM appears at GP4020 Base Address 0x60000000, served by the MPC Memory Area 4. An MPC SWAP function can swap this memory space with 0x00000000 if required.

Since the memory is high-speed, it can be accessed with Zero wait-states through the Memory Peripheral Controller. Refer to section on the Memory Peripheral Controller for more information.

## Real Time Clock (RTC)

The GP4020 Real Time Clock uses an external 32kHz crystal to give an indication of time to the GP4020 chip, when the device is in Reset / Power Down. If a backup battery is included in a GPS receiver using the GP4020, the RTC will continue to operate regardless of the reset state of the rest of the device.

The RTC is incremental, which means that the number of seconds from a reset point are accumulated, rather than a record of Gregorian date.

## System Clock Generator (SCG)

The GP4020 System Clock Generator is used to provide 2 system clocks:

- The M\_CLK for the 12-channel Correlator; this is derived from the CLK\_T and CLK\_I inputs from the RF front end device and MUST be 40MHz. This clock is fundamental to the correlator function, and must be phase-locked to the RF front end.
- The BμILD\_CLK for ALL components on the BμILD Bus; this can be derived from M\_CLK (see above) in conjunction with a PLL and a divider to generate a wide range of clock frequencies. In this way, the BμILD\_CLK can be phase-locked to the RF front end. The clock can also be derived from an independent crystal source.

## System Services Module (SSM)

The System Services Module (SSM) ensures correct bus operation through a number of modes (reset, initialisation, debug, etc). It provides diagnostic broadcast of address and data for internal transfers along with information about the current operating mode.

Additionally the SSM System Configuration Register controls the operating mode of the GP4020.

Specifically the System Services Module performs the following functions:

- Control the BμILD bus operational mode
- Arbitrate amongst competing resources for BμILD bus mastership

- Interface to external bus masters and manufacturing testers
- Control the activities of all BμILD bus modules during system debug activity.
- Broadcast information about BμILD bus activity for external diagnostics
- Hold BμILD bus logic levels when no other bus-master is driving
- Register System Configuration data

## System Timer/Counters (SYSTIC)

Two dual independent 32-bit timer/counters, with an 8-bit pre-scaler capability for each counter, are provided (Timers 1A, 1B, 2A and 2B). These are synchronous to the system clock and may be polled, or set-up to generate interrupts on over-run, with auto-reload.

The TIC functions provided by this module are part of the Firefly MF1 core. Timer 1 (TIC1) appears at GP4020 Base Address 0xE000 E000, and Timer 2 (TIC2) appears at Address 0xE000 F000. TIC enable (TEN) lines are not available externally on this version of the GP4020, but are tied low on-chip. The TIC functions can be made available by setting the External enable polarity bit of the TIC Control/Status register to a logic '0'.

Whilst these timer/counters are NOT required by the GPS function in a GP4020 based GPS receiver, full programming details of the programming of the System Timer/Counter can be found in Section 7 of the Firefly MF1 Core Design Manual.

## 1PPS Timemark Generator

The GP4020 Timemark generator is used in conjunction with software to produce a 1 Pulse Per Second (1PPS) output pulse, which is aligned to Universal Time Co-ordinated (UTC) to a resolution of 25ns. The accuracy of time transmitted from the Navstar GPS space segment is very high, and this can be used to provide a mobile timing reference to a similar accuracy.

## Up Integration Module (UIM)

The Up Integration Module provides a series of internal connection ports, which mimic the MPC external interface. This allows the Firefly MF1 to communicate with the Application Specific Logic used in the GP4020, as though it was external to the chip, hence it acts as a transparent interface.

# GP4020

## Universal Asynchronous Receive/Transmit (UART1 and UART2)

The full duplex asynchronous channels of UART1 and UART2 provide RS232 type interfaces, which support an XON/XOFF software protocol. The Receive and Transmit channels are double buffered. The UARTs may be polled, or may use an interrupt scheme for module bus transfers. An internal Baud rate generator in each UART can provide selectable data rates, derived from on-chip sources for an Rx/Tx pair.

Directly-triggered DMA transfers with each UART are also possible without the need for CPU intervention.

### Watchdog (WDOG)

The GP4020 Watchdog can be used to detect hardware or software run-time errors, and reset the system. The processor is required to reset the watchdog periodically; failure to do so will result in a chip-wide reset.

## Electrical Characteristics

$T_{AMB} = -40^{\circ}\text{C}$  to  $+85^{\circ}\text{C}$ ,  $V_{DD} = +3.0\text{V}$  to  $+3.6\text{V}$  ( $+3.3\text{V}$  nominal). The input thresholds and output voltage limits for the logic signal pins are tested and guaranteed by production test. All other parameters are guaranteed by characterisation and design. They apply within the specified ambient temperature and supply voltage ranges unless otherwise specified. Use in conjunction with the GP4020 GPS Baseband Processor Design Manual (DM5280).

Characteristic	Symbol	Value			Units	Conditions
		Min.	Typ.	Max.		
Operating voltage range	$V_{BATT}$	3.0		3.6	V	
Battery backup voltage		2.7			V	
<b>Supply Current</b> Full chip	$I_{DD}$			100	mA	Simulated. Firefly $B_{\mu}ILD\_CLK = 30\text{MHz}$ , outputs loaded with 50pF, 12 tracking correlator channels
40MHz low level differential input	$I_{LLDI}$			4.4 100	mA nA	Enabled Disabled
Processor clock oscillator	$I_{PRX}$		< 100	0.9	mA nA	Enabled Disabled
Phase locked loop	$I_{PLL}$		2.9 3.4 4.5 6.2	1.0	$\mu\text{A}$ mA mA mA	Disabled Enabled - $F_{OUT} = 30\text{MHz}$ , Mult Factor = 3 Enabled - $F_{OUT} = 60\text{MHz}$ , Mult Factor = 6 Enabled - $F_{OUT} = 120\text{MHz}$ , Mult Factor = 12 Enabled - $F_{OUT} = 240\text{MHz}$ , Mult Factor = 24
Real time clock	$I_{RTC}$		3.27	7.75	$\mu\text{A}$	
Firefly MF1 microcontroller	$I_{FMF1}$		0.7		mA/MHz	
<b>Firefly MF1 microcontroller</b> Operating frequency	$F_{B_{\mu}ILD}$		20	31.25	MHz	$B_{\mu}ild\_CLK$ – external memory at >1 wait state or internal memory at 0 wait state.
Operating frequency	$F_{B_{\mu}ILD}$		20	27.5	MHz	$B_{\mu}ild\_CLK$ – external memory access at 0 wait state.
Output capacitance				50	pF	Total external load, all outputs and I/Os

Cont...

## Electrical Characteristics (continued)

Characteristic	Symbol	Value			Units	Conditions
		Min.	Typ.	Max.		
<b>40MHz Low Level Differential Input</b>						
Input voltage bias	V <sub>DBIAS</sub>	0		1.715	V	Min. V <sub>DD</sub> = 3.0V Note 1
Differential input voltage	V <sub>DIFIN</sub>	100			mV	
Input differential hysteresis	V <sub>DIFHYS</sub>	12		24	mV	
Input clock frequency	F <sub>DIFIN</sub>		40	150	MHz	40MHz from RF front end
Input capacitance	C <sub>DIFIN</sub>		5		pF	Not including package
Power-on delay				150	ns	
<b>Processor Clock Oscillator</b>						
Frequency	F <sub>PRXIN</sub>	10		16	MHz	Correct external components
Start up time	T <sub>PRXSU</sub>		10		ms	Across frequency range
Mark:space		45	50	55	%	Across all conditions
Transconductance	g <sub>m</sub>	1.0	2.24	4.4	mA/V	
Output impedance	Z <sub>O</sub>		93		kΩ	
Feedback resistance	R <sub>F</sub>		220		kΩ	
<b>Phase Locked Loop</b>						
Input frequency	F <sub>PLLIN</sub>	10		20	MHz	
Output frequency	F <sub>PULLOUT</sub>	10		250	MHz	Can be divided down by 1,2,4 or 8 for optimal BμLD_CLK freq.
Duty cycle		45	50	55	%	
Phase alignment offset (falling edges of CLKINB, CLKFBKB)				+/-0.2	ns	
Phase Alignment Jitter				+/-0.25	ns	Note 2
Phase Jitter				+/-0.15	ns	Cycle-cycle edge jitter Note 2
CLKINB to CLKOUTB delay			0.43		ns	In clock bypass mode
PLL Settling Time	T <sub>PLLSET</sub>		147		μs	In clock synchronisation mode
<b>Real Time Clock</b>						
Crystal frequency	F <sub>RTC</sub>		32.768		kHz	Correct external components
Start up time	T <sub>RTCSTART</sub>		400		ms	Across frequency range
Transconductance	G <sub>MRTC</sub>		9.56		μA/V	
Output impedance	Z <sub>ORTC</sub>		422		MΩ	
Feedback resistance	R <sub>FRTC</sub>		10		MΩ	External component
<b>BμLD Serial Input / Output (BSIO) 3-wire Bus Interface</b>						
BSIO_CLK output frequency	F <sub>SEROF</sub>			10	MHz	
Serial clock output low period	T <sub>SERCL</sub>	40			ns	
Serial clock output high period	T <sub>SERCH</sub>	40			ns	
Serial clock output rise time	T <sub>SERCR</sub>			10	ns	
Serial clock output fall time	T <sub>SERCF</sub>			10	ns	
Serial data output delay	T <sub>SERDOD</sub>	-20		20	ns	SEROUT ref SERCLK
Serial enable output delay	T <sub>SEREOD</sub>	-20		20	ns	SERSEL ref SERCLK
Serial chip select enable to first clock edge delay	T <sub>SERCDC</sub>	70			ns	
Serial last clock edge delay to chip select disable	T <sub>SERCEC</sub>	70			ns	

## NOTES

Cont...

- The input pair CLK\_T, CLK\_I may be driven by a low amplitude differential sinewave from an RF Front-end. Direct DC connection to a GP2010 or GP2015 RF front end is NOT possible, as the maximum DC bias from these devices is in excess of maximum input bias limit.
- Jitter is dominated by supply-noise effects. Users must keep on-chip supply noise below 1Vp-p by the use of low noise outputs and as many supply pins as possible.

# GP4020

## Electrical Characteristics (continued)

Characteristic	Symbol	Value			Units	Conditions
		Min.	Typ.	Max.		
<b>General Purpose Input/Output (GPIO)</b>						
Output delay	$T_{GPOD}$			20	ns	GPIO[7:0]
Input set-up time	$T_{GPIS}$	20			ns	GPIO[7:0]
Input hold time	$T_{GPIH}$	10			ns	GPIO[7:0]
<b>UARTs</b>						
Standard Baud rate	$B_{DPUS}$	1·2		115·2	kBaud	U1/2TXD, U1/2RXD
<b>Reset logic</b>						
Input reset pulse width		100			ns	NSRESET input to cause reset of whole chip



**For more information about all Zarlink products  
visit our Web Site at  
[www.zarlink.com](http://www.zarlink.com)**

Information relating to products and services furnished herein by Zarlink Semiconductor Inc. trading as Zarlink Semiconductor or its subsidiaries (collectively "Zarlink") is believed to be reliable. However, Zarlink assumes no liability for errors that may appear in this publication, or for liability otherwise arising from the application or use of any such information, product or service or for any infringement of patents or other intellectual property rights owned by third parties which may result from such application or use. Neither the supply of such information or purchase of product or service conveys any license, either express or implied, under patents or other intellectual property rights owned by Zarlink or licensed from third parties by Zarlink, whatsoever. Purchasers of products are also hereby notified that the use of product in certain ways or in combination with Zarlink, or non-Zarlink furnished goods or services may infringe patents or other intellectual property rights owned by Zarlink.

This publication is issued to provide information only and (unless agreed by Zarlink in writing) may not be used, applied or reproduced for any purpose nor form part of any order or contract nor to be regarded as a representation relating to the products or services concerned. The products, their specifications, services and other information appearing in this publication are subject to change by Zarlink without notice. No warranty or guarantee express or implied is made regarding the capability, performance or suitability of any product or service. Information concerning possible methods of use is provided as a guide only and does not constitute any guarantee that such methods of use will be satisfactory in a specific piece of equipment. It is the user's responsibility to fully determine the performance and suitability of any equipment using such information and to ensure that any publication or data used is up to date and has not been superseded. Manufacturing does not necessarily include testing of all functions or parameters. These products are not suitable for use in any medical products whose failure to perform may result in significant injury or death to the user. All products and materials are sold and services provided subject to Zarlink's conditions of sale which are available on request.

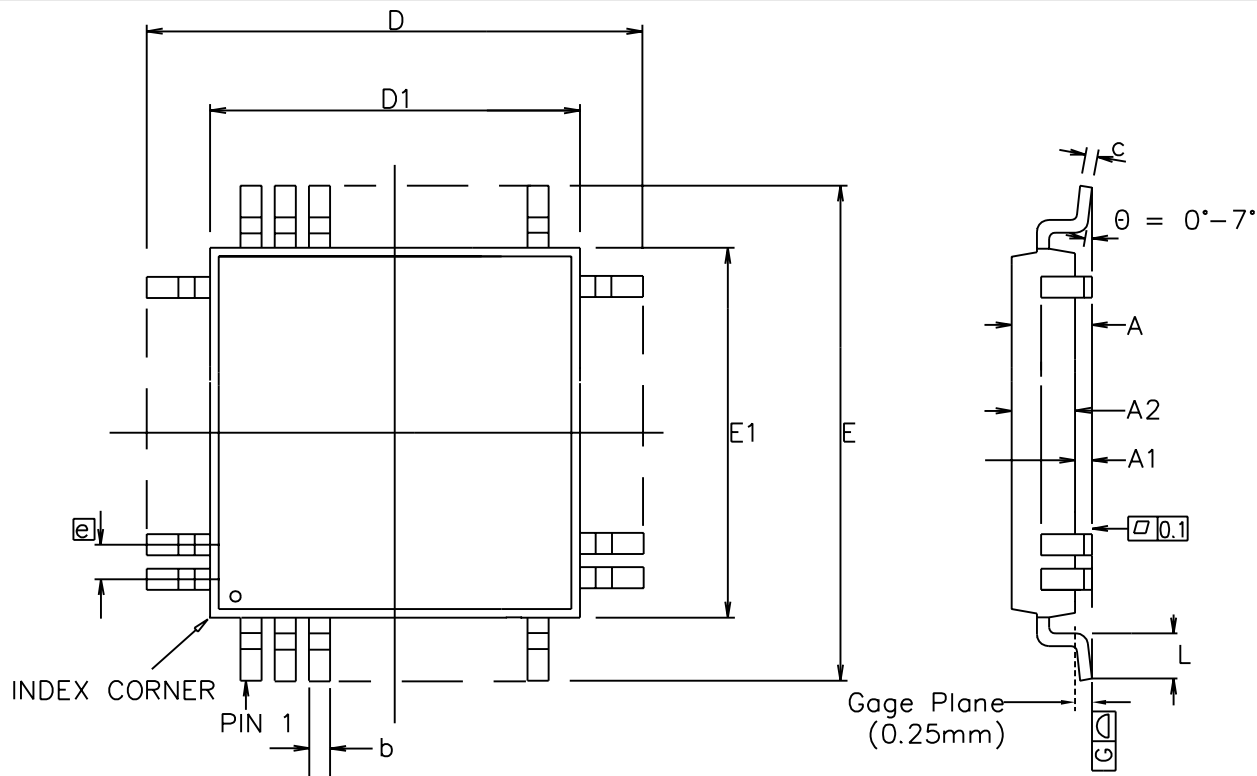
Purchase of Zarlink's I<sup>2</sup>C components conveys a licence under the Philips I<sup>2</sup>C Patent rights to use these components in an I<sup>2</sup>C System, provided that the system conforms to the I<sup>2</sup>C Standard Specification as defined by Philips.

Zarlink and the Zarlink Semiconductor logo are trademarks of Zarlink Semiconductor Inc.

Copyright 2001, Zarlink Semiconductor Inc. All Rights Reserved.

TECHNICAL DOCUMENTATION - NOT FOR RESALE

---



Symbol	Control Dimensions in millimetres		Altern. Dimensions in inches	
	MIN	MAX	MIN	MAX
A	---	1.60	---	0.063
A1	0.05	0.15	0.002	0.006
A2	1.35	1.45	0.053	0.057
D	16.00 BSC		0.630 BSC	
D1	14.00 BSC		0.551 BSC	
E	16.00 BSC		0.630 BSC	
E1	14.00 BSC		0.551 BSC	
L	0.45	0.75	0.018	0.030
e	0.50 BSC		0.020 BSC	
b	0.17	0.27	0.007	0.011
c	0.09	0.20	0.004	0.008
Pin features				
N	100			
ND	25			
NE	25			
NOTE	SQUARE			

Conforms to JEDEC MS-026 BED Iss. C

Notes:

1. Pin 1 indicator may be a corner chamfer, dot or both.
2. Controlling dimensions are in millimeters.
3. The top package body size may be smaller than the bottom package body size by a max. of 0.15 mm.
4. Dimension D1 and E1 do not include mould protusion.
5. Dimension b does not include dambar protusion.
6. Coplanarity, measured at seating plane G, to be 0.08 mm max.

This drawing supersedes 418/ED/51210/023 (Swindon)

© Zarlink Semiconductor 2002 All rights reserved.

ISSUE	1	2	3
ACN	201373	207144	212447
DATE	29Oct96	15Jul99	26Mar02
APPRD.			



Previous package codes

GP / B

Package Code QC

Package Outline for 100 lead  
LQFP (14 x 14 x 1.4mm)  
2.0mm Footprint

GPD00253





**For more information about all Zarlink products  
visit our Web Site at  
[www.zarlink.com](http://www.zarlink.com)**

Information relating to products and services furnished herein by Zarlink Semiconductor Inc. or its subsidiaries (collectively "Zarlink") is believed to be reliable. However, Zarlink assumes no liability for errors that may appear in this publication, or for liability otherwise arising from the application or use of any such information, product or service or for any infringement of patents or other intellectual property rights owned by third parties which may result from such application or use. Neither the supply of such information or purchase of product or service conveys any license, either express or implied, under patents or other intellectual property rights owned by Zarlink or licensed from third parties by Zarlink, whatsoever. Purchasers of products are also hereby notified that the use of product in certain ways or in combination with Zarlink, or non-Zarlink furnished goods or services may infringe patents or other intellectual property rights owned by Zarlink.

This publication is issued to provide information only and (unless agreed by Zarlink in writing) may not be used, applied or reproduced for any purpose nor form part of any order or contract nor to be regarded as a representation relating to the products or services concerned. The products, their specifications, services and other information appearing in this publication are subject to change by Zarlink without notice. No warranty or guarantee express or implied is made regarding the capability, performance or suitability of any product or service. Information concerning possible methods of use is provided as a guide only and does not constitute any guarantee that such methods of use will be satisfactory in a specific piece of equipment. It is the user's responsibility to fully determine the performance and suitability of any equipment using such information and to ensure that any publication or data used is up to date and has not been superseded. Manufacturing does not necessarily include testing of all functions or parameters. These products are not suitable for use in any medical products whose failure to perform may result in significant injury or death to the user. All products and materials are sold and services provided subject to Zarlink's conditions of sale which are available on request.

Purchase of Zarlink's I<sup>2</sup>C components conveys a licence under the Philips I<sup>2</sup>C Patent rights to use these components in and I<sup>2</sup>C System, provided that the system conforms to the I<sup>2</sup>C Standard Specification as defined by Philips.

Zarlink, ZL and the Zarlink Semiconductor logo are trademarks of Zarlink Semiconductor Inc.

Copyright Zarlink Semiconductor Inc. All Rights Reserved.

**TECHNICAL DOCUMENTATION - NOT FOR RESALE**

---