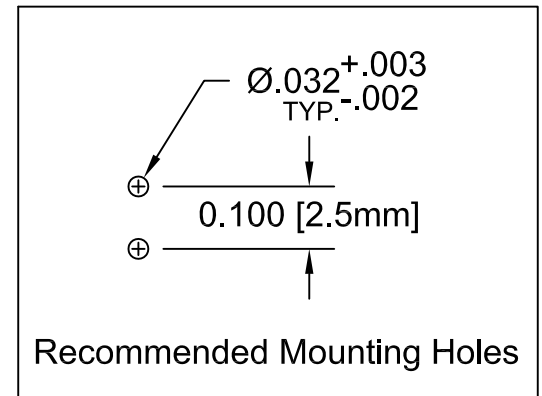
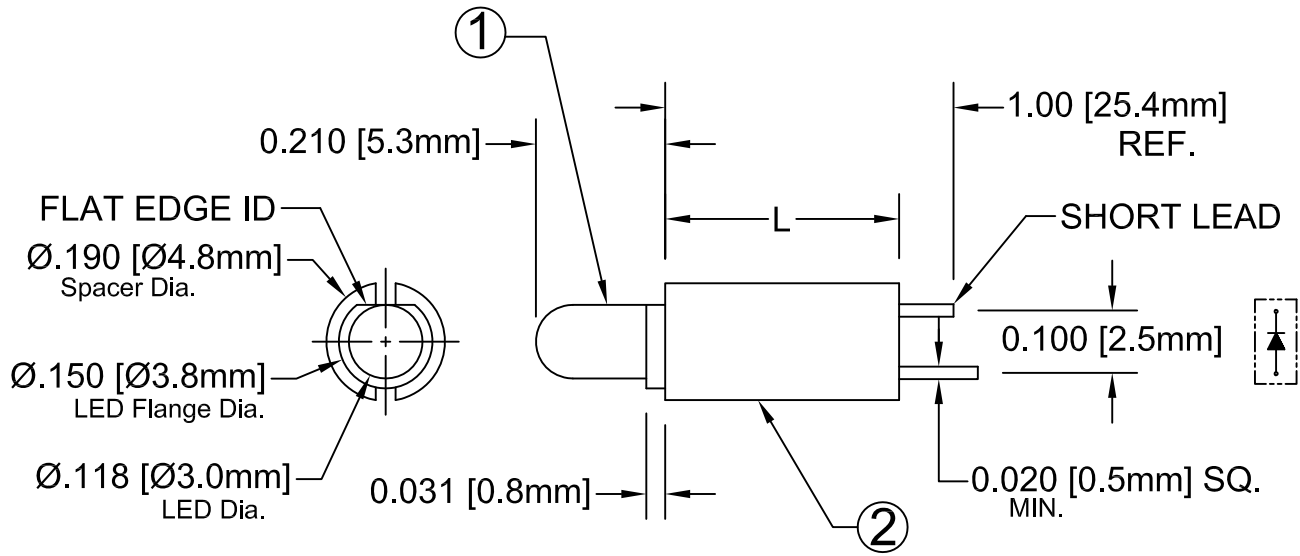




ITEM	Q'TY	PART NUMBER	PART DESCRIPTION
1	1	3XX-F	T-1 (3mm) Flanged LED, See Page 2
2	1	ELM2XXX	Extruded, Self-Retaining LED Spacer

REV.	DESCRIPTION	DATE	APPROVED
A	Engineering Update w/o Changes	03/05/04	M. C.
B	Update LED, EMN-ELMXXX3XX	08/22/06	M. C.
C	Removed Tolerance Note.	09/03/08	M. C.
D	LED Specs and Dimensions Update.	07/22/10	T. Y.





ABSOLUTE MAXIMUM RATINGS (Ta=25°C)

REVERSE VOLTAGE	_____	5V
REVERSE CURRENT	_____	100uA
OPERATING TEMPERATURE RANGE	_____	-25° C - 85° C
STORAGE TEMPERATURE	_____	-30° C - 100° C
LEAD SOLDERING TEMPERATURE(1/16" FROM BODY)	_____	260° C FOR 5 SECONDS

STANDARD TOLERANCE (UNLESS OTHERWISE SPECIFIED)		 BIVAR [®] 4 THOMAS, IRVINE, CA. 92618 TEL: (949) 951-8808 FAX: (949) 951-3974			
DECIMALS	ANGULAR				
.X ± .1	X° ± 1°				
.XX ± .02			TITLE: EXTRUDED VERTICAL T-1 (3mm) LED STANDARD PROFILE SPACER ASSY		
.XXX ± .010			DESIGNED: D. Green	DATE: 03/05/04	PART NO: ELM2XXX3XX
CHECKED: M. Chen	DATE: 03/05/04	CAGE CODE : 32559	SHEET # 1 OF 2	CAD GENERATED DOCUMENT, DO NOT MEASURE DRAWING.	

REV.	DESCRIPTION	DATE	APPROVED
	SEE SHEET#1.		

LED Assy. No.	Peak Wave Length λ_p (nm)	Emitted Color	Lens Appearance	Max. Rating	Electro-Optical Data			Viewing Angle $2\theta_{1/2}$ (Deg)	LED P/N
				If (mA)	Vf (V)		Iv (mcd)		
				MAX	TYP	MAX	TYP		
STANDARD					Data @ 20mA				
ELM2XXX3AD	605	AMBER	DIFFUSED	30	2.0	2.8	25	35	3AD-F
ELM2XXX3BWD	430	BLUE	DIFFUSED	25	4.0	4.5	10	35	3BWD-F
ELM2XXX3GD	568	GREEN	DIFFUSED	30	2.1	2.8	25	35	3GD-F
ELM2XXX3PGD	555	PURE GREEN	DIFFUSED	30	2.2	2.8	5	35	3PGD-F
ELM2XXX3YD	590	YELLOW	DIFFUSED	30	2.0	2.8	20	35	3YD-F
ELM2XXX3HD	625	HE RED	DIFFUSED	30	2.0	2.8	30	35	3HD-F
ELM2XXX3RD	700	RED	DIFFUSED	20	2.1	2.8	2	35	3RD-F
ELM2XXX3SRD	645	SUPER RED	DIFFUSED	30	1.7	2.4	40	35	3SRD-F
LOW CURRENT					Data @ 2mA				
ELM2XXX3ADL	605	AMBER	DIFFUSED	7	2.0	2.6	4	35	3ADL-F
ELM2XXX3BWDL	430	BLUE	DIFFUSED	7	3.8	4.2	2.5	35	3BWDL-F
ELM2XXX3GDL	568	GREEN	DIFFUSED	7	2.1	2.6	4	35	3GDL-F
ELM2XXX3YDL	590	YELLOW	DIFFUSED	7	2.0	2.6	2	35	3YDL-F
ELM2XXX3HDL	625	HE RED	DIFFUSED	7	2.0	2.6	2.5	35	3HDL-F
ELM2XXX3RDL	700	RED	DIFFUSED	7	2.1	2.8	0.5	35	3RDL-F
ELM2XXX3SRDL	645	RED	DIFFUSED	7	1.7	2.4	8	35	3SRDL-F
5 VOLT					Data @ 5V				
ELM2XXX3AD5V	605	AMBER	DIFFUSED	8	/	5.0	25	35	3AD5V-F
ELM2XXX3BWD5V	430	BLUE	DIFFUSED	8	/	5.0	10	35	3BWD5V-F
ELM2XXX3GD5V	568	GREEN	DIFFUSED	8	/	5.0	25	35	3GD5V-F
ELM2XXX3YD5V	590	YELLOW	DIFFUSED	8	/	5.0	20	35	3YD5V-F
ELM2XXX3HD5V	625	HE RED	DIFFUSED	8	/	5.0	30.0	35	3HD5V-F
ELM2XXX3RD5V	700	RED	DIFFUSED	8	/	5.0	2	35	3RD5V-F

STANDARD TOLERANCE (UNLESS OTHERWISE SPECIFIED) $\pm 10\%$ ALL VALUES		 BIVAR [®] 4 THOMAS, IRVINE, CA. 92618 TEL: (949) 951-8808 FAX: (949) 951-3974	
ANGULAR $X^\circ \pm 5^\circ$			
		TITLE: EXTRUDED VERTICAL T-1 (3mm) LED STANDARD PROFILE SPACER ASSY	
DESIGNED: David Green	DATE: 03/05/04	PART NO: ELM2XXX3XX	REVISION: D
CHECKED: M. Chen	DATE: 03/05/04	CAGE CODE : 32559	SHEET # 2 OF 2
CAD GENERATED DOCUMENT. DO NOT MEASURE DRAWING.			