



MELFSMA5817-5819

SURFACE MOUNT SCHOTTKY BARRIER RECTIFIER

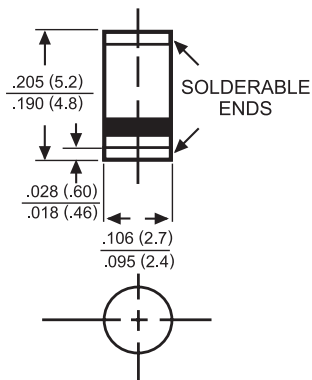
VOLTAGE RANGE - 20 to 40 Volts CURRENT - 1.0 Ampere

MECHANICAL DATA

- * Case: Molded plastic
- * Epoxy: UL 94V-0 rate flame retardant
- * Terminals: Solder plated solderable per MIL-STD-202E, Method 208 guaranteed
- * Polarity: Color band denotes cathode end
- * Mounting position: Any
- * Weight: 0.12 gram

FEATURES

- * High current capability
- * Ideal for surface mounted applications
- * Low leakage current for high efficiency



SM-1(DO-213AB)



Dimensions in inches and (millimeters)

MAXIMUM RATINGS AND ELECTRICAL CHARACTERISTICS

Ratings at 25°C ambient temperature unless otherwise specified.
Single phase, half wave, 60 Hz, resistive or inductive load.
For capacitive load, derate current by 20%.

PARAMETER	SYMBOL	SM5817	SM5818	SM5819	UNITS
Maximum Recurrent Peak Reverse Voltage	V_{RRM}	20	30	40	Volts
Maximum RMS Voltage	V_{RMS}	14	21	28	Volts
Maximum DC Blocking Voltage	V_{DC}	20	30	40	Volts
Maximum Average Forward Rectified Current $T_A = 25^\circ C$	I_O	1.0			Amps
Peak Forward Surge Current: 8.3 ms single half sine-wave Superimposed on rated load (JEDEC Method)	I_{FSM}	25			Amps
Maximum Forward Voltage at 1.0A DC	V_F	0.45	0.55	0.60	Volts
Maximum DC Reverse Current at Rated DC Blocking Voltage	@ $T_A = 25^\circ C$	1.0			mAmps
	@ $T_A = 100^\circ C$	10			
Typical Junction Capacitance (Note 1)	C_J	110			pF
Typical Thermal Resistance (Note 2)	$R_{\theta_{JL}}$	75			$^\circ C/W$
Operating and Storage Temperature Range	T_J, T_{STG}	-65 to +125			$^\circ C$

Notes: 1. Measured at 1 MHz and applied reverse voltage of 4.0 volts
2. Thermal Resistance from Junction to Ambient, 0.24" (6.0mm²) copper pads to each Terminal.



MELF SMA5817-5819

RATING AND CHARACTERISTIC CURVES

FIG. 1 - TYPICAL FORWARD CURRENT DERATING CURVE

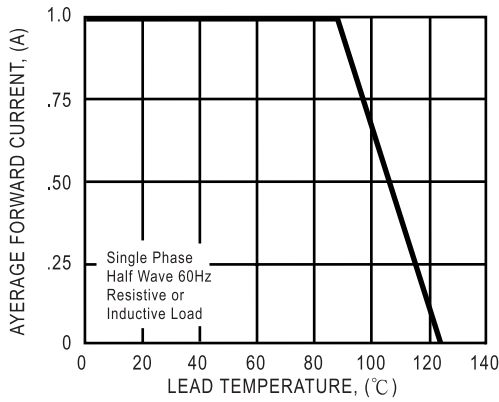


FIG. 2 - TYPICAL INSTANTANEOUS FORWARD CHARACTERISTICS

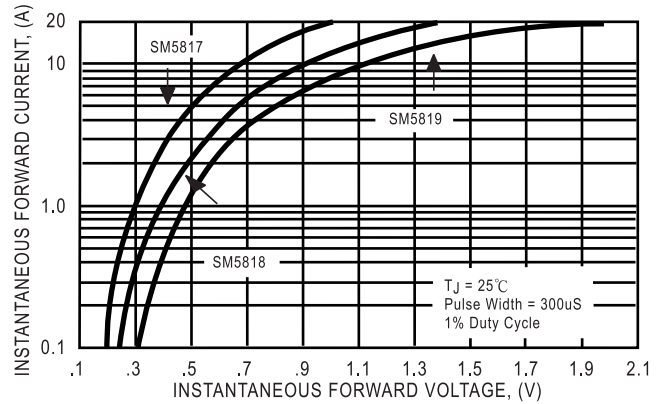


FIG. 3 - TYPICAL REVERSE CHARACTERISTICS

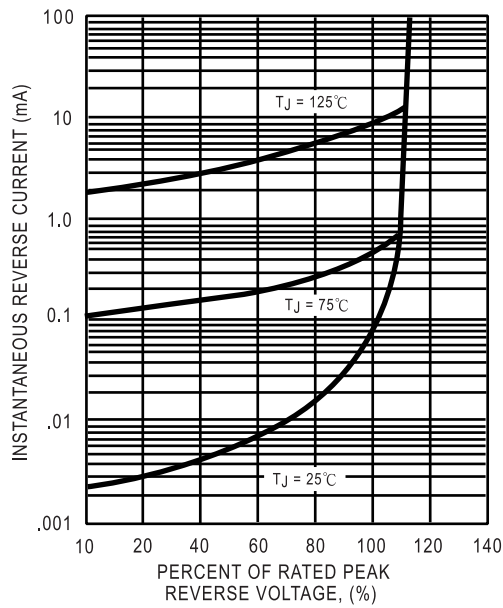


FIG. 4 - MAXIMUM NON-REPETITIVE FORWARD SURGE CURRENT

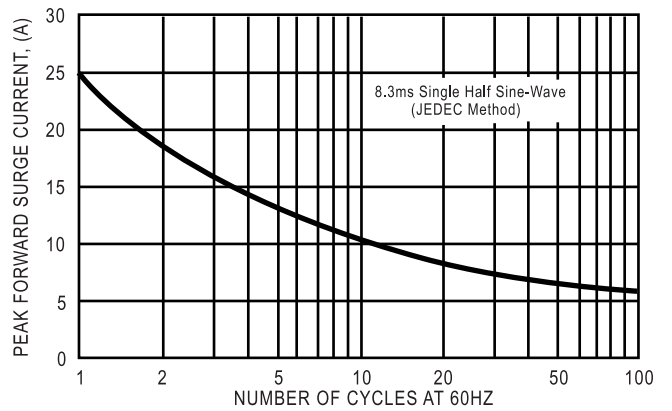


FIG. 5 - TYPICAL JUNCTION CAPACITANCE

