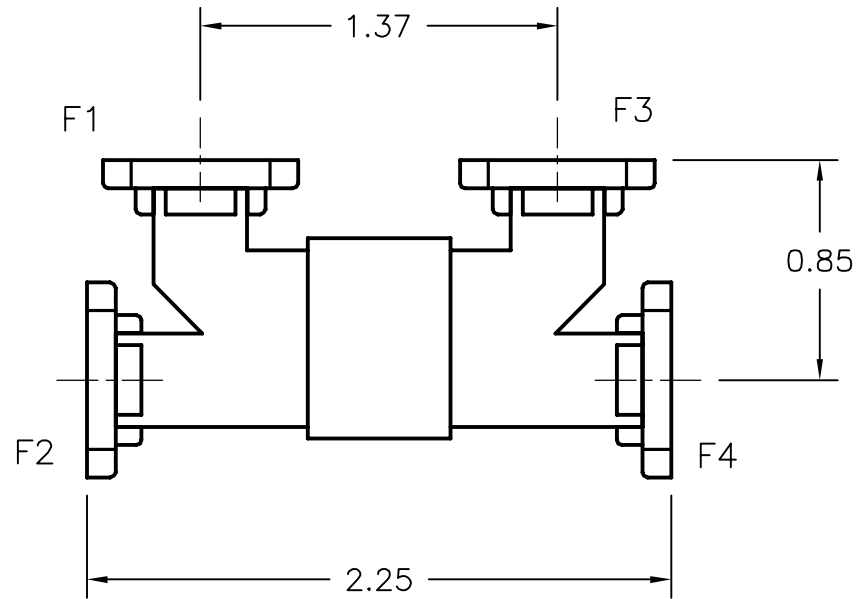


REV A	AUTH JLE	DATE 10/14/02	INITIAL RELEASE
REV B	AUTH RL	DATE 10/18/06	ILLUSTRATION UPDATED TO SHOW REVISED ASSEMBLY.; FORMAT UPDATE; SCALE CHANGED TO "NONE", ADDED '261' MODEL TO NOTES.



FLANGE TYPE
6 = UG COVER
7 = UG CHOKE
8 = COVER GROOVE

FREQUENCY	MODEL
26.0–30.0 GHz	28–261A–Z–X–X–X–X
27.5–31.2 GHz	28–265A–Z–X–X–X–X
30.0–34.0 GHz	28–262A–Z–X–X–X–X
33.5–37.0 GHz	28–263A–Z–X–X–X–X
36.0–40.0 GHz	28–264A–Z–X–X–X–X

THIRD ANGLE PROJECTION:		APPROVALS	DATE	ADVANCED TECHNICAL MATERIALS, INC. TEL: (631) 289-0363 FAX: (631) 289-0358 www.atmmicrowave.com	<small>THE INFORMATION IN THIS DRAWING IS PROPRIETARY AND SHALL NOT BE USED OR DISCLOSED WITHOUT THE PRIOR WRITTEN CONSENT OF ATM, INC. DO NOT SCALE DWG.</small>		
UNLESS OTHERWISE NOTED, DIMENSIONS ARE IN INCHES, TOLERANCES ARE: FRACTIONS: ±1/64 ANGLES: ±1/2°		DRAWN RL	10/18/06				
BASIC DIMENSION	DECIMALS 2 PLACE 3 PLACE	CHKD.	APRVD.	OUTLINE, WR28 HYBRID COMBINER-DIVIDER,			
UNDER 6"	±.02 ±.005	MATERIAL PER ORDER					
6" – 12"	±.03 ±.010	TREATMENT -					
OVER 12"	±.06 ±.015	FINISH ATM GREY STD.		SIZE A	CAGE CODE 0R8N4	ATM DWG # 5223W	REVISION B
				SCALE NONE	MODEL # SEE NOTES	SHEET 1/1	