

| REF | PART NO | DESCRIPTION | REMARKS | QTY |
|------------|----------------|--------------------------------------|------------------|----------|
| 100 | 1025018 | HOUSING ASSY., LOWER | | 1 |
| 101 | 1025039 | COVER, FRONT | | 1 |
| 102 | 1025041 | HOUSING, UPPER | | 1 |
| 103 | 1025027 | COVER, PRINTER, REAR | | 1 |
| 104 | 1025024 | COVER ASSY., PRINTER | | 1 |
| 105 | 1025034 | EDGE GUIDE ASSY., FRONT | | 1 |
| 106 | 1025029 | EDGE GUIDE ASSY., REAR | | 1 |
| 107 | 1025043 | COVER, BOTTOM | | 1 |
| 108 | 1025042 | KNOB | | 1 |
| 109 | 1025044 | SHIELD PLATE | | 1 |
| 110 | 1002045 | COVER, CONNECTOR, UPPER | | 1 |
| 111 | 1026742 | SHIELD PLATE, UPPER E | | 1 |
| 112 | 1005480 | GROUNDING PLATE | | 4 |
| 113 | 1025669 | GROUNDING PLATE, I/F | | 1 |
| 114 | 1026336 | STOPPER, COVER, FRONT | | 1 |
| 115 | 1026337 | COVER, COMPRESSION SPRING | | 1 |
| 116 | 1026338 | HOLDER, DETECTOR | | 1 |
| 117 | 1006374 | GUIDE, I/F BOARD | | 1 |
| 118 | 1026339 | COMPRESSION SPRING, 2.94 | | 1 |
| 119 | 2018967 | DETECTOR ASSY., CASE OPEN | | 1 |
| 120 | 1025942 | LOGO PLATE | | 1 |
| 121 | B310206511 | C.B.B. SCREW | M4X14 | 4 |
| 122 | 1006901 | C.B.C-LAMITITE | M3X8 | 4 |
| 123 | B310204511 | C.B.B. SCREW | M3X12 | 1 |
| 123 | 1009376 | RIVET B-TITE(SCREW TYPE), 3X12, F/ZN | | 1 |
| 124 | B310204311 | C.B.B. SCREW | M3X8 | 3 |
| 125 | B010350211 | C.B.SCREW | M2X7 | 1 |
| 126 | 1025409 | PRINTER MECH. MOUNTING SCREW | | 4 |
| 127 | B310204511 | C.B.B. SCREW | M3X12 | 9 |
| 128 | B070200411 | HEXAGON NUT | M4 | 3 |
| 129 | B310206419 | C.B.B. SCREW | M4X12 | 1 |
| 130 | 2020073 | FERRITE CORE | | 1 |
| 133 | 1002674 | C.B.S-TITE SCREW | M3X12 | 2 |
| 137 | 1011863 | GROUNDING PLATE, I/F, UPPER | | 1 |
| 200 | 2022437 | BOARD ASSY., MAIN | EUROPE | 1 |
| 300 | 2020931 | BOARD ASSY., POWER SUPPLY | UK | 1 |
| 330 | 2018862 | HARNESS | | 1 |
| 380 | 2021422 | FAN | | 1 |
| 400 | 2006741 | POWER CABLE (BS31303SA-SR-10A) | 240V | 1 |
| 400 | 2018866 | POWER CABLE ASSY | | 1 |
| 401 | 2018861 | HARNESS | | 1 |
| 450 | 2018827 | BOARD ASSY., PANEL | | 1 |
| 500 | 2020579 | PRINTER MECH.(ASP), M-5N60-100 | | 1 |
| 501 | 1025190 | FRAME ASSY., RIGHT | | 1 |
| 502 | 1025191 | FRAME ASSY., LEFT | | 1 |
| 503 | 2019033 | MOTOR, CR | DC3.0V/1.1A/3.3W | 1 |
| 504 | 1025199 | RD ASSY. | | 1 |
| 505 | 1032159 | SHEET, PROTECT, FFC | | 1 |
| 511 | 2019034 | MOTOR, PF | DC6.4V/0.4A/2.6W | 1 |
| 521 | 2019017 | HARNESS, PG | | 1 |
| 522 | 2021854 | DETECTOR, HP | 4V,50MA,100MW, | 1 |
| 523 | 2019016 | HARNESS, HP | | 1 |
| 524 | 2014328 | CONNECTOR SWITCH;B | | 4 |
| 525 | 1025321 | PAPER GUIDE | | 1 |
| 526 | 1025322 | SHAFT, RELEASE | | 1 |
| 527 | 2019010 | HARNESS, PE, FRONT | | 1 |
| 528 | 2019009 | HARNESS, PE, REAR | | 1 |
| 529 | 1025324 | LEVER, PE, SUPPORT | | 1 |
| 530 | 2019011 | DETECTOR, PE, FRONT | 0V,0A,0W, | 1 |
| 531 | 1005727 | DETECTOR ASSY., REAR | | 1 |
| 532 | 1005213 | ROLLER, PF, DRIVEN, LOWER | | 5 |
| 533 | 1025249 | ROLLER ASSY., PF | | 5 |
| 534 | 1005215 | EXTENSION SPRING, 70 | | 5 |
| 535 | 1025363 | COMPRESSION SPRING, 10.8 | | 5 |
| 536 | 1025192 | CARRIAGE ASSY. | | 1 |

EPSON

LQ2170 Spares Guide Version 3

Page 2

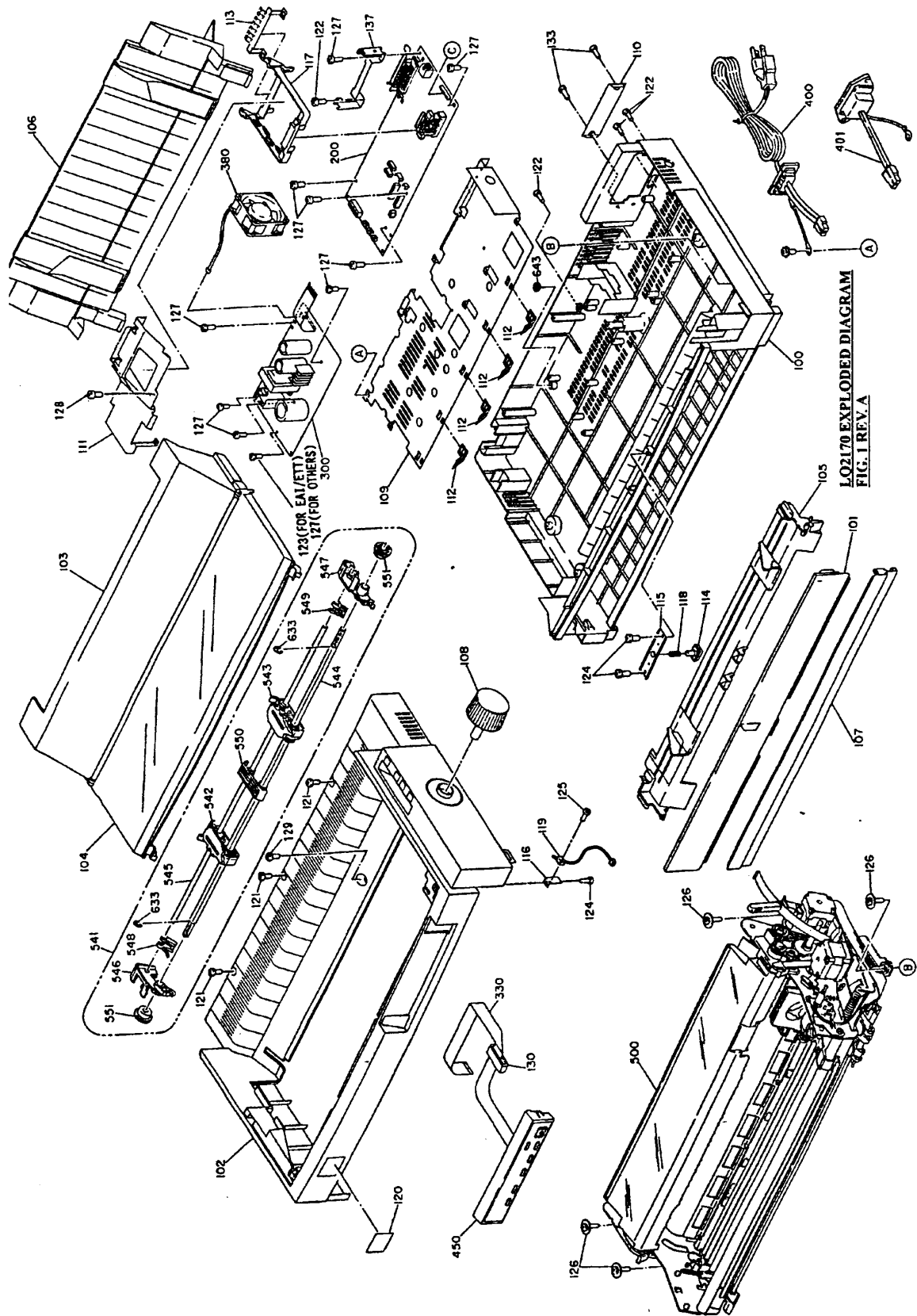
| REF | PART NO | DESCRIPTION | REMARKS | QTY |
|-----|------------|------------------------------|-------------|-----|
| 538 | 1025344 | COVER, CR | | 1 |
| 539 | 1025348 | BUSHING, 14 | | 1 |
| 541 | 1025246 | TRACTOR ASSY., REAR | | 1 |
| 542 | 1025293 | TRACTOR, LEFT | | 2 |
| 543 | 1025294 | TRACTOR, RIGHT | | 2 |
| 544 | 1025291 | SHAFT, TR, DRIVE | | 2 |
| 545 | 1025292 | SHAFT, TR, GUIDE | | 2 |
| 546 | 1025287 | FRAME, TR, LEFT | | 1 |
| 547 | 1025288 | FRAME, TR, RIGHT | | 1 |
| 548 | 1025289 | LEVER, TR, LEFT, REAR | | 1 |
| 549 | 1025290 | LEVER, TR, RIGHT, REAR | | 1 |
| 550 | 1025296 | PAPER SUPPORT | | 2 |
| 551 | 1025295 | SPUR GEAR, 20 | | 4 |
| 552 | 1025350 | EXTENSION SPRING, 15.7 | | 1 |
| 555 | 1025248 | PAPER EJECT ASSY. | | 1 |
| 556 | 1025301 | COVER, PAPER EJECT | | 1 |
| 557 | 1029507 | FRAME, PAPER EJECT, BASE | | 1 |
| 558 | 1025302 | FRAME, PAPER EJECT, LEFT | | 1 |
| 559 | 1025303 | FRAME, PAPER EJECT, RIGHT | | 1 |
| 560 | 1025306 | ROLLER, PAPER EJECT, DRIVEN | | 5 |
| 561 | 1025310 | SPUR GEAR, 15 | | 1 |
| 562 | 1005245 | SPUR GEAR, 18 | | 1 |
| 564 | 1025305 | ROLLER, PAPER EJECT, DRIVE | | 1 |
| 565 | 1025203 | ROLLER ASSY., PF, DRIVE | | 1 |
| 566 | 1025334 | HOLDER, HEAD, CABLE | | 1 |
| 567 | 2019013 | CABLE, HEAD, LOWER | | 1 |
| 568 | 2019014 | CABLE, HEAD, UPPER | | 1 |
| 569 | 1025355 | BUSHING, 8, LEFT | | 1 |
| 570 | 1025284 | PLATEN | | 1 |
| 571 | 1031612 | SPUR GEAR, 36 | | 1 |
| 572 | 1025285 | BUSHING, 8, RIGHT | | 1 |
| 573 | 1025351 | COVER, PLATEN | | 1 |
| 574 | 2018904 | DETECTOR ASSY., PW | | 1 |
| 575 | 1025345 | RIBBON MASK | | 1 |
| 576 | 1025352 | PAPER GUIDE, SUPPORT | | 1 |
| 578 | 1025326 | FRAME, REAR | | 1 |
| 579 | 1025327 | FRAME, FRONT | | 1 |
| 580 | 1028578 | FRAME, SUB, RIGHT | | 1 |
| 581 | 1025329 | SHAFT, CR, GUIDE, REAR | | 1 |
| 582 | 1025330 | SHAFT, CR, GUIDE, FRONT | | 1 |
| 583 | 1025331 | BUSHING, PARALLEL, ADJUST | | 1 |
| 584 | 1025332 | LEVER, GAP, ADJUST | | 1 |
| 585 | 1025333 | CAP, LEVER | | 1 |
| 586 | 1025374 | SHEET, RELEASE, CAP | | 1 |
| 587 | 1025349 | MOUNTING PLATE, MOTOR, CR | | 1 |
| 588 | 1025346 | HOLDER, RIBBON MASK | | 1 |
| 589 | 1027101 | OIL PAD, LOWER | | 2 |
| 590 | 1025361 | LEVER, RELEASE | | 1 |
| 591 | 1005220 | CAM, CLUTCH, TRACTOR | | 1 |
| 592 | 1025335 | BASE RUBBER | | 4 |
| 593 | 1025357 | COMBINATION GEAR, 8, 30 | | 1 |
| 594 | 1005224 | SPUR GEAR, 27 | | 1 |
| 595 | 1005225 | SPUR GEAR, 34.5 | | 2 |
| 596 | 1005226 | SPUR GEAR, 34 | | 1 |
| 597 | B101253990 | LEAF SPRING | 8.2X0.25X15 | 1 |
| 598 | 1005218 | INTERMITTENT GEAR | | 1 |
| 599 | 1025353 | PAPER GUIDE, MIDDLE | | 1 |
| 600 | 1025354 | PAPER GUIDE, FRONT | | 1 |
| 601 | 1005232 | COMPRESSION SPRING, 200 | | 2 |
| 602 | 1025360 | SPUR GEAR, 21 | | 1 |
| 603 | 1005844 | LEVER, RELEASE, TRANSMISSION | | 1 |
| 604 | 1030844 | OIL PAD | | 2 |
| 605 | 1025343 | HOLDER, DETECTOR, PG | | 1 |
| 606 | 1025364 | LEVER, RELEASE, DETECTOR | | 1 |

| REF | PART NO | DESCRIPTION | REMARKS | QTY |
|------------|----------------|--------------------------------|--------------|----------|
| 607 | 1025375 | GROUNDING PLATE, , PG, MIDDLE | | 1 |
| 608 | 1026439 | SHEET, RELEASE, CAP, SUB | | 1 |
| 609 | 1026551 | HOLDER, CABLE | | 1 |
| 610 | 1026620 | COVER, DRIVEN PULLEY | | 1 |
| 611 | B010303411 | C.B.SCREW | M3X8 | 2 |
| 612 | 1025311 | GROUNDING PLATE, PAPER EJECT | | 1 |
| 613 | 1005416 | SHAFT, MOUNT, CR | | 2 |
| 614 | B010302211 | C.B.SCREW | M2.5X5 | 1 |
| 617 | 1025356 | LEAF SPRING, CR | | 1 |
| 620 | 1025323 | LEVER, DETECTOR, PE, REAR | | 1 |
| 621 | 1025247 | TRACTOR ASSY., FRONT | | 1 |
| 622 | 1025287 | FRAME, TR, LEFT | | 1 |
| 623 | 1025288 | FRAME, TR, RIGHT | | 1 |
| 624 | 1025299 | LEVER, TR, LEFT, FRONT | | 1 |
| 625 | 1025300 | LEVER, TR, RIGHT, FRONT | | 1 |
| 626 | 1025325 | TORSION SPRING, 0.26 | | 1 |
| 627 | 1025307 | HOLDER, PAPER EJECT, DRIVEN | | 5 |
| 628 | 1025309 | COMPRESSION SPRING, 1.08 | | 5 |
| 629 | 1025308 | HOLDER, PAPER EJECT, SPRING | | 5 |
| 630 | 2019015 | CABLE, DETECTOR | | 1 |
| 631 | 2019030 | HARNESS, RE | | 1 |
| 632 | 1026741 | GUIDE, PAPER EJECT | | 1 |
| 633 | B150300911 | RETAINING RING | TYPE-E(6) | 2 |
| 634 | 1031702 | SPRING PIN, 2X18, F/B | | 1 |
| 635 | B302704211 | C.P.S.P.S. SCREW | M3X6 | 4 |
| 636 | B300204211 | C.B.S. SCREW | M3X6 | 9 |
| 637 | B100166012 | PLAIN WASHER | 8X0.5X15 | 3 |
| 638 | B160101412 | RETAINING RING | TYPE-C | 5 |
| 639 | 1006901 | C.B.C-LAMTITE | M3X8 | 2 |
| 640 | B010303311 | C.B.SCREW | M3X6 | 2 |
| 641 | B300204311 | C.B.S. SCREW | M3X8 | 3 |
| 642 | 1019830 | C.F.P-TITE SCREW, 2.6X8, F/ZN | | 5 |
| 643 | B070200411 | HEXAGON NUT | M4 | 3 |
| 644 | B300204411 | C.B.S. SCREW | M3X10 | 2 |
| 650 | F050000 | PRINT HEAD, DH24-0A0 | | 1 |
| 1 | 5004613 | IND. CARTON BOX FOR EUROPE | | 1 |
| 2 | 5004454 | OUTER CARTON BOX | | 1 |
| 3 | 5004641 | PAD, PRINTER | | 1 |
| 4 | 5004464 | PAD, PRINTER, BOTTOM | | 1 |
| 5 | 5004465 | PAD, FRAME, R | | 1 |
| 6 | 5004466 | PAD, FRAME, L | | 1 |
| 7 | 5006431 | PAD, PLATEN, R | | 1 |
| 8 | 5006432 | PAD, PLATEN, L | | 1 |
| 9 | 5004469 | PAD, CR | | 1 |
| 10 | 5004617 | PAD, FRONT SHEET GUIDE | | 1 |
| 11 | 5004615 | PAD, PAPER EJECT ASSY., LEFT | | 1 |
| 12 | 5004616 | PAD, PAPER EJECT ASSY., CENTRE | | 1 |
| 13 | 5004617 | PAD, FRONT SHEET GUIDE | | 1 |
| 14 | 5005180 | PLASTIC BAG/800X950X0.08T | | 1 |
| 15 | X680058010 | PLASTIC BAG | 270X700X0.04 | 1 |
| 16 | 5004646 | PAD, LEVER, RELEASE | | 1 |
| END | | | | |
| | | | | |
| | | | | |
| | | | | |

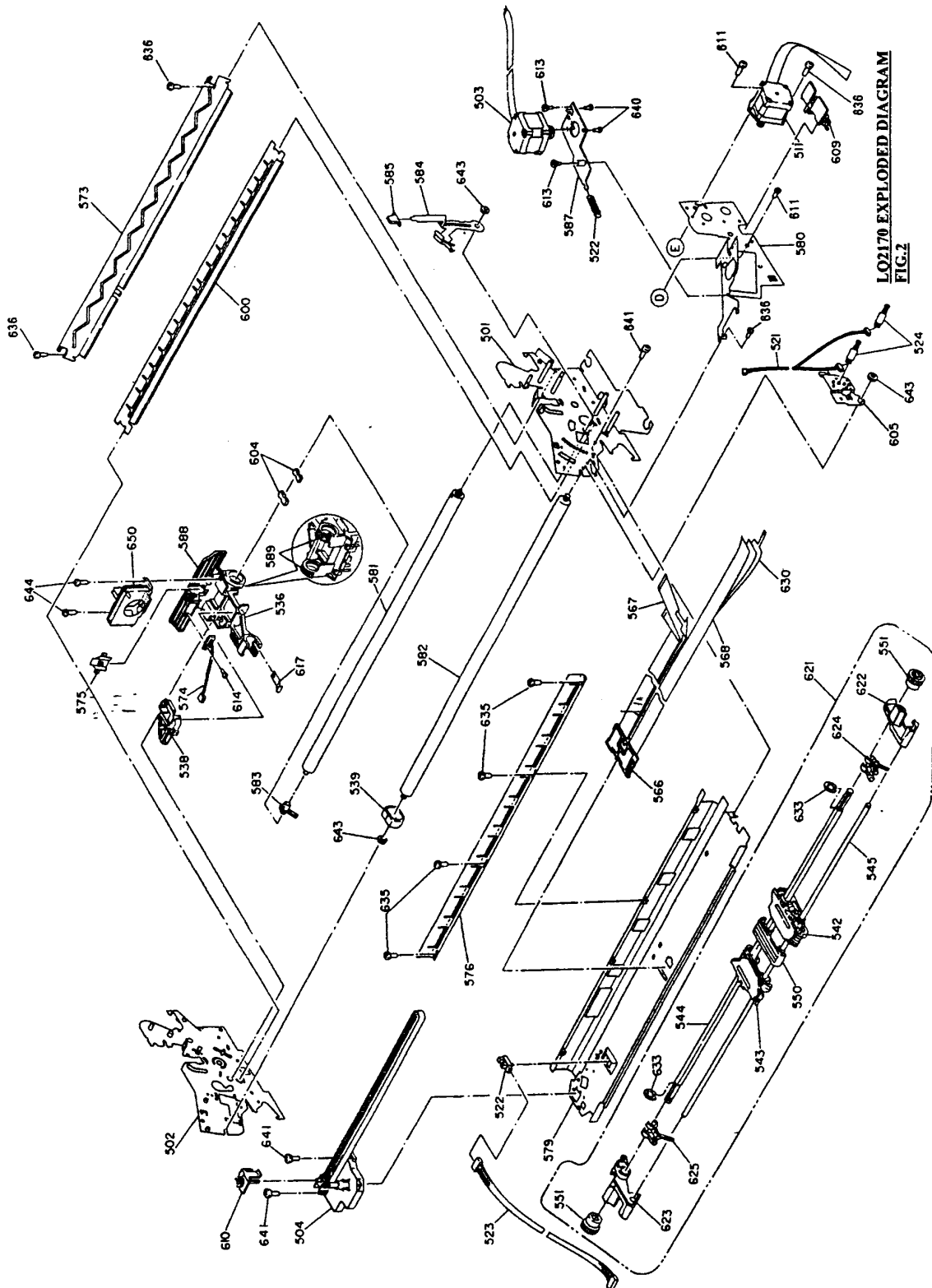
EPSON

LQ2170 Spares Guide Version 3

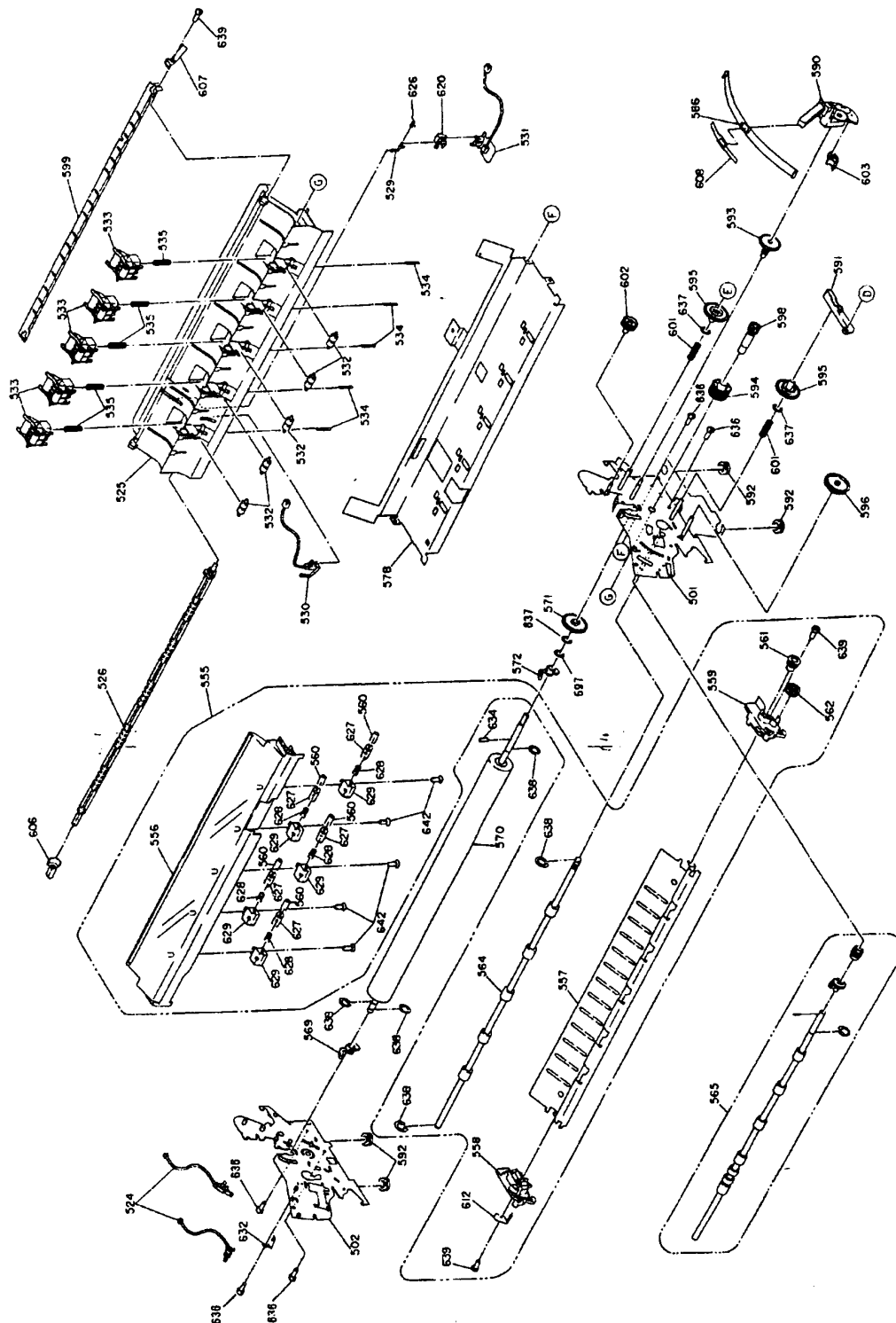
Page 4



LQ2170 EXPLODED DIAGRAM
FIG. 1 REV. A



LQ2170 EXPLODED DIAGRAM
FIG. 2



LQ2170 EXPLODED DIAGRAM
FIG. 3

EPSON

LQ2170 *Spares Guide Version 3*

Page 7

EPSON

LQ2170 Spares Guide Version 3

Page 8

