

**PLEASE CHECK WWW.MOLEX.COM FOR LATEST PART INFORMATION**

**Part Number:** [0019092017](#)  
**Status:** **Active**  
**Overview:** [standard\\_093](#)  
**Description:** 2.36mm (.093") Diameter Standard .093" Pin and Socket Plug Housing With Positive Latch, UL 94V-0, Panel Mount, 1 Circuit

**Documents:**

[3D Model](#) [Packaging Specification \(PDF\)](#)  
[Drawing \(PDF\)](#) [RoHS Certificate of Compliance \(PDF\)](#)

**Agency Certification**

CSA LR19980  
TUV R72081037  
UL E29179

**General**

Product Family Crimp Housings  
Series [3191](#)  
Comments Polarized to Mating Part, With Mounting Ears  
Overview [standard\\_093](#)  
Product Name Standard .093"

**Physical**

Breakaway No  
Circuits (maximum) 1  
Color - Resin Natural  
Flammability 94V-0  
Gender Dual  
Glow-Wire Compliant No  
Keying to Mating Part None  
Lock to Mating Part Yes  
Material - Resin Nylon  
Number of Rows 1  
Packaging Type Bag  
Panel Mount Yes  
Pitch - Mating Interface (in) 0.264 In  
Pitch - Mating Interface (mm) 6.71 mm  
Polarized to Mating Part Yes  
Stackable No  
Temperature Range - Operating -40°C to +105°C

**Electrical**

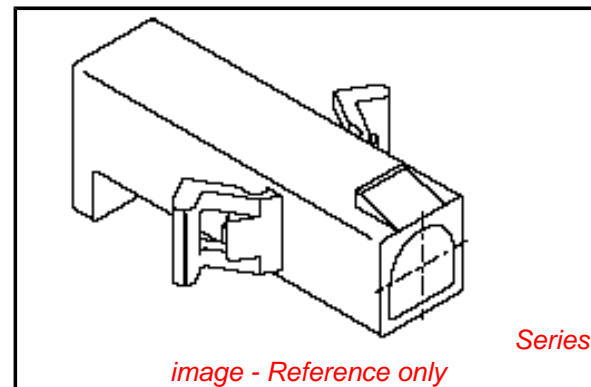
Current - Maximum per Contact 12A

**Material Info**

Old Part Number 3191-1P-201

**Reference - Drawing Numbers**

Sales Drawing SD-3191-1\*



**EU RoHS**

**ELV and RoHS Compliant**  
**REACH SVHC Not Reviewed**  
**Halogen-Free Status Not Reviewed**

**China RoHS**



**Need more information on product environmental compliance?**

Email [productcompliance@molex.com](mailto:productcompliance@molex.com)  
For a multiple part number RoHS Certificate of Compliance, [click here](#)

Please visit the [Contact Us](#) section for any non-product compliance questions.

**Search Parts in this Series**

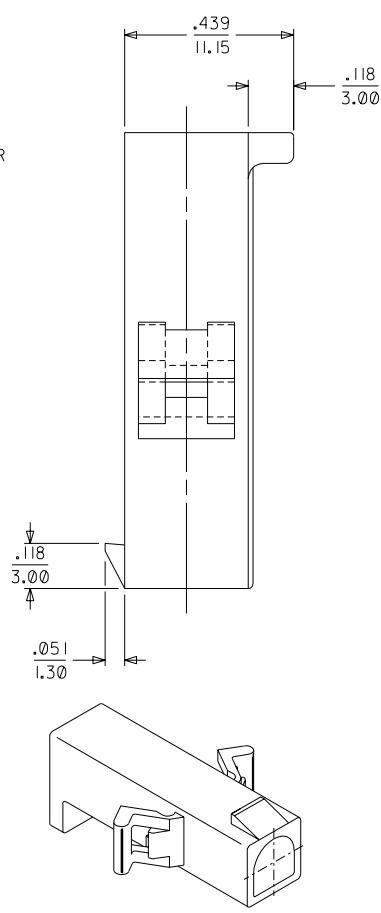
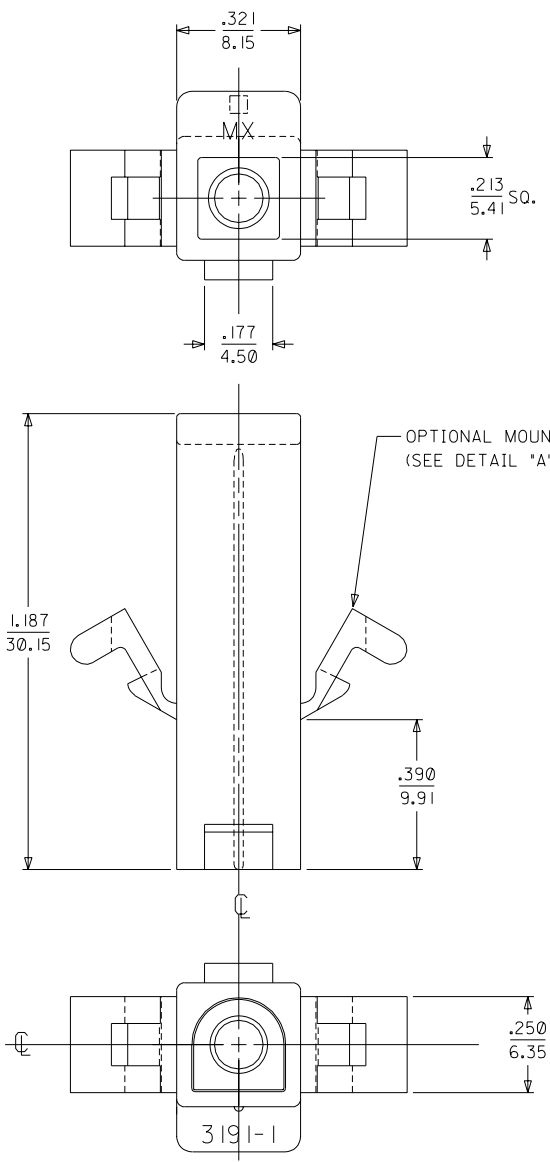
[3191Series](#)

**Mates With**

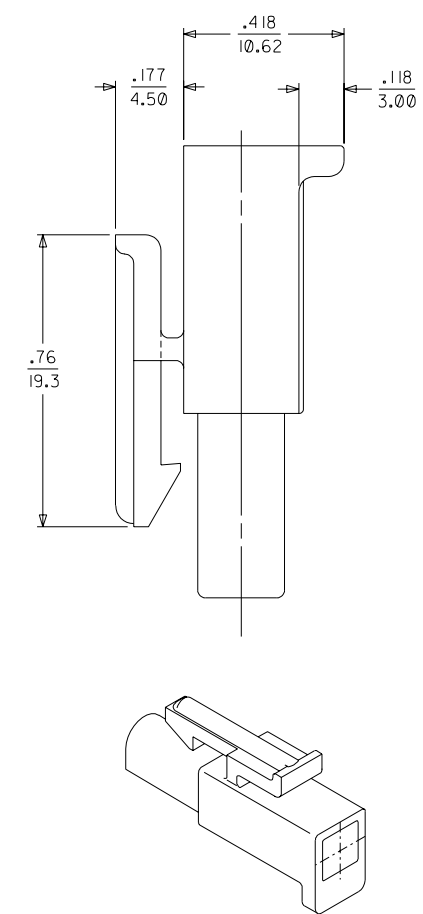
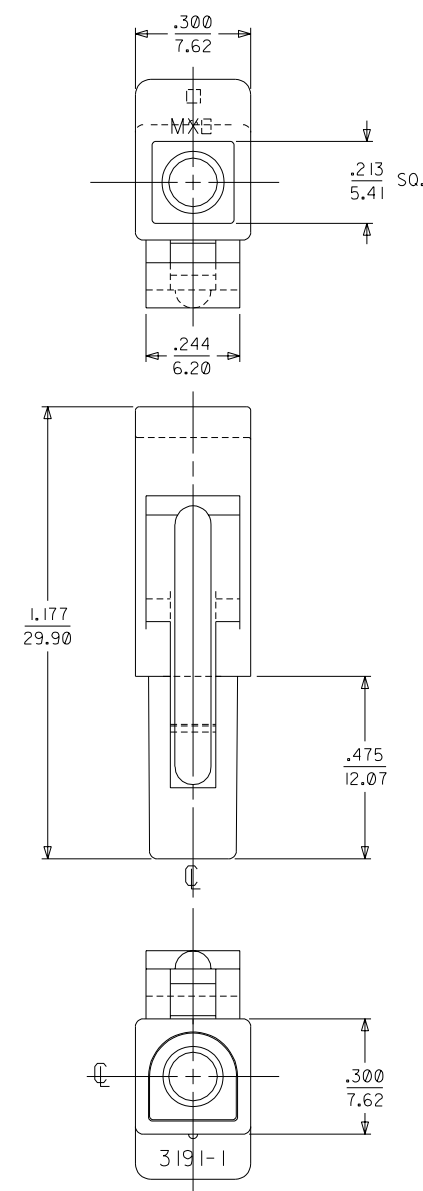
[3191](#) Pin and Socket Rectacle, [5219](#) Vertical PCB Header

**Use With**

[1189](#) Crimp Terminals, [1190](#) Crimp Terminals, [1380](#) Male Crimp Terminals, [1381](#) Female Crimp Terminals, [1433](#) Crimp Terminals, [1434](#) Male Crimp Terminals, [2605](#) , [2606](#) , [1973](#) , [2151](#) , [2273](#) , [2870](#) , [2871](#) , [4272](#) , Lin



PLUG



RECEPTACLE

OBSOLETE 3191-1R1RD EC NO. LUCP2004-0423 DRWN: ELHAG 09/03/03 CHK: ELHAG 09/03/03 APPR: FSMITH 09/10/03	QUALITY SYMBOLS	GENERAL TOLERANCES: (UNLESS SPECIFIED)	SCALE 4 : 1	DESIGN UNITS <input type="checkbox"/> mm <input checked="" type="checkbox"/> INCH	THIRD ANGLE PROJECTION <input type="checkbox"/> mm ONLY <input checked="" type="checkbox"/> INCH ONLY	DIMENSIONS: <input type="checkbox"/> mm <input checked="" type="checkbox"/> INCH <input type="checkbox"/> mm ONLY	2 E	1 E	SHT REV	REVISE ON CAD ONLY
	MAJOR $\blacktriangledown = 0$	4 PLACES $\pm 0.---$ $\pm .---$	DRAWN BY & DATE JBS 06/10/03	TITLE: .093/(2.36) HOUSING, PLUG AND RECEPTACLE, 1 - CIRCUIT						
	CRITICAL $\nabla = 0$	3 PLACES $\pm 0.$ $\pm .010$	CHECKED BY & DATE BW 06/13/03	APPROVED BY & DATE BW 06/16/03				MATERIAL NO. DRAWING NO. SD-3191-1*		
		2 PLACES $\pm 0.25$ $\pm .014$	CAD FILENAME SD-3191-1.DGN				DRAWING NO. SD-3191-1*		SHEET NO. 1 of 2	
		1 PLACE $\pm 0.36$ $\pm .$	ANGULAR: $\pm 1^\circ$				DRAWING NO. SD-3191-1*		SHEET NO. 1 of 2	
REV E	DESCRIPTION	DRAFT WHERE APPLICABLE MUST REMAIN WITHIN DIMENSIONS				THIS DRAWING CONTAINS INFORMATION THAT IS PROPRIETARY TO MOLEX INCORPORATED AND SHOULD NOT BE USED WITHOUT WRITTEN PERMISSION.				

PLUG		RECEPTACLE		OBSOLETE
PART NO.	ENG. NO.	PART NO.	ENG. NO.	
19-09-2018	3191-IP	19-09-1019	3191-IR1	
19-09-2019	3191-IP1	19-09-1016	3191-IR1-201	
19-09-2017	3191-IP-201	19-09-6010	3191-IR1RD	
19-09-2016	3191-IP1-201	19-09-6011	3191-IR1BU	
19-09-2015	3191-IPRD			

**LEGEND**

3191-|\*\*\*\*-\*

CIRCUIT SIZE

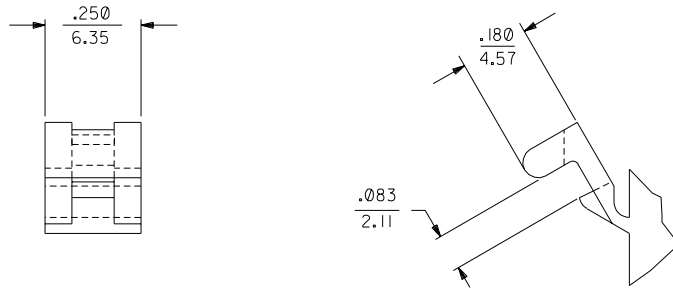
P = PLUG  
R = RECEPTACLE

EARS: BLANK = WITH PREBENT EARS (PLUG ONLY)  
I = WITHOUT EARS

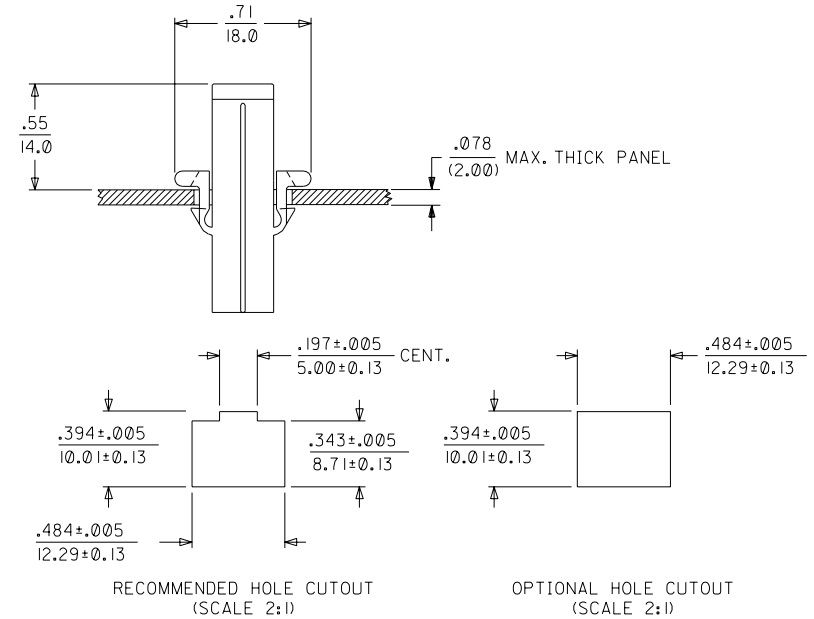
COLOR: BLANK = NATURAL COLOR

AM=AMBER BK=BLACK BU=BLUE  
BN=BROWN GY=GRAY GN=GREEN  
OR=ORANGE RD=RED YW=YELLOW

MATERIAL: PER NOTE 1.



**DETAIL "A"**  
PREBENT MOUNTING EAR  
(SCALE 4:1)



**NOTES:**

- MATERIAL:  
"BLANK" - NYLON TYPE 6/6, 94V-2. COLOR: NATURAL.  
201 - NYLON TYPE 6/6, 94V-0. COLOR: WHITE.
- FINISH: NONE.

DIMENSIONS SHOWN (METRIC INCH)

UNLESS OTHERWISE SPECIFIED

TOLERANCES: ANGULAR ± .04° | 10

	INCH	METRIC
3 PLACE	± .010	---
2 PLACE	± .014	± 0.25
1 PLACE	---	± 0.36

DRAFT WHERE APPLICABLE MUST REMAIN WITHIN DIMENSIONS

DRWG. BY: JBS  
CHK'D. BY: BW  
APP'D. BY: BW  
SCALE: ---:---

▽ = 0   ▼ = 0   REVISE ONLY ON CAD SYSTEM

TITLE: .093/(2.36) HOUSINGS PLUG AND RECEPTACLE I CIRCUIT

MOLEX INCORPORATED U.S.A. SHEET NO. 2 DATE 06/10/03

PART NO. SD-3191-1\*

SEE CHART

THIS DRAWING CONTAINS INFORMATION THAT IS PROPRIETARY TO MOLEX INC. AND SHOULD NOT BE USED WITHOUT WRITTEN PERMISSION.

LTR.	REVISIONS	LTR.	REVISIONS
		E	SEE SHEET 1
		D4	SEE SHEET 1