

Accutek Microcircuit Corporation

AK491024S / AK491024G
1,048,576 Word x 9 Bit CMOS
Dynamic Random Access Memory

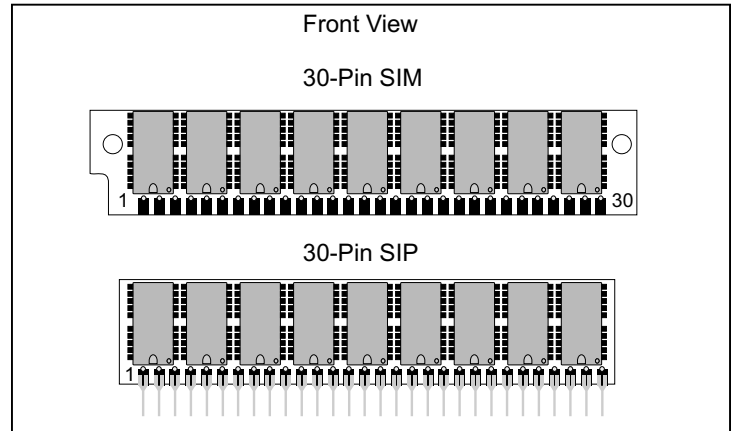
DESCRIPTION

The Accutek AK491024 high density memory module is a random access memory organized in 1 Meg x 9 bit words. The assembly consists of nine standard 1 Meg x 1 DRAMs in plastic leaded chip carriers (SOJ) mounted on the front side of a printed circuit board. The module can be configured as a leadless 30 pad SIM or a leaded 30 pin SIP. This packaging approach provides a 6 to 1 density increase over standard DIP packaging.

The operation of the AK491024 is identical to nine 1 Meg x 1 DRAMs. For the lower eight bits data input is tied to the data output and brought out separately for each device, with common RAS, CAS control. This common I/O feature dictates the use of early-write cycles to prevent contention of D and Q. Since the Write-Enable (WE) signal must always go low before CAS in a write cycle, Read-Write and Read-Modify-Write operation is not possible. For the ninth bit, the data input (D₉) and the data output (Q₉) pins are brought out separately and controlled by a separate PCAS for that bit. Bit nine is generally used for parity.

FEATURES

- 1,048,576 x 9 bit organization
- Optional 30 Pad leadless SIM (Single In-Line Module) or 30 Pin leaded SIP (Single In-Line Package)
- JEDEC standard pinout
- Common $\overline{\text{CAS}}$ and $\overline{\text{RAS}}$ control for the lower eight bits
- Separate PCAS control for D₉ and Q₉
- $\overline{\text{CAS}}$ -before-RAS refresh
- Power
 - 3.465 Watt Max Active (80 nSEC)
 - 2.97 Watt Max Active (100 nSEC)
 - 2.475 Watt Max Active (120 nSEC)
 - 49.5 mW Max Standby
- Operating free air temperature 0°C to 70°C
- Upward compatible with AK594096 and AK5916384
- Downward compatible with AK49256



PIN NOMENCLATURE

DQ ₁ - DQ ₈	Data In / Data Out
D ₉	Data In 9
Q ₉	Data Out 9
A ₀ - A ₉	Address Inputs
$\overline{\text{CAS}}$, PCAS	Column Address Strobe
$\overline{\text{RAS}}$	Row Address Strobe
$\overline{\text{WE}}$	Write Enable
V _{cc}	5v Supply
V _{ss}	Ground
NC	No Connect

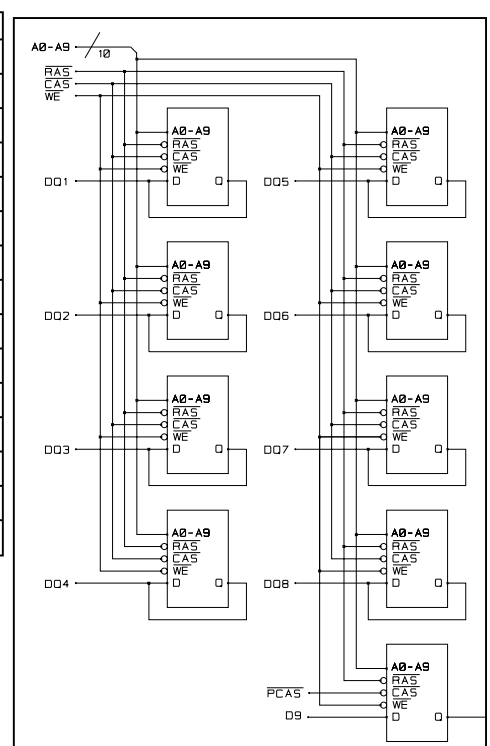
MODULE OPTIONS

Leadless SIM: AK491024S
Leaded SIP: AK491024G

PIN ASSIGNMENT

PIN #	SYMBOL	PIN #	SYMBOL
1	V _{cc}	16	DQ ₅
2	$\overline{\text{CAS}}$	17	A ₈
3	DQ ₁	18	A ₉
4	A ₀	19	NC
5	A ₁	20	DQ ₆
6	DQ ₂	21	$\overline{\text{WE}}$
7	A ₂	22	V _{ss}
8	A ₃	23	DQ ₇
9	V _{ss}	24	NC
10	DQ ₃	25	DQ ₈
11	A ₄	26	Q ₉
12	A ₅	27	$\overline{\text{RAS}}$
13	DQ ₄	28	PCAS
14	A ₆	29	D ₉
15	A ₇	30	V _{cc}

FUNCTIONAL DIAGRAM



ORDERING INFORMATION

PART NUMBER CODING INTERPRETATION

Position	1	2	3	4	5	6	7	8
1 Product								
	AK = Accuthek Memory							
2 Type								
	4 = Dynamic RAM							
	5 = CMOS Dynamic RAM							
	6 = Static RAM							
3 Organization/Word Width								
	1 = by 1		16 = by 16					
	4 = by 4		32 = by 32					
	8 = by 8		36 = by 36					
	9 = by 9							
4 Size/Bits Depth								
	64 = 64K		4096 = 4 MEG					
	256 = 256K		8192 = 8 MEG					
	1024 = 1 MEG		16384 = 16 MEG					
5 Package Type								
	G = Single In-Line Package (SIP)							
	S = Single In-Line Module (SIM)							
	D = Dual In-Line Package (DIP)							
	W = .050 inch Pitch Edge Connect							
	Z = Zig-Zag In-Line Package (ZIP)							
6 Special Designation								
	P = Page Mode							
	N = Nibble Mode							
	K = Static Column Mode							
	W = Write Per Bit Mode							
	V = Video Ram							
7 Separator								
	- = Commercial 0°C to +70°C							
	M = Military Equivalent Screened (-55°C to +125°C)							
	I = Industrial Temperature Tested (-45°C to +85°C)							
	X = Burned In							
8 Speed (first two significant digits)								
	DRAMS				SRAMS			
	50 = 50 nS		8 = 8 nS					
	60 = 60 nS		10 = 10 nS					
	70 = 70 nS		12 = 12 nS					
	80 = 80 nS		15 = 15 nS					

The numbers and coding on this page do not include all variations available but are show as examples of the most widely used variations. Contact Accuthek if other information is required.

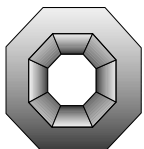
EXAMPLES:

AK491024SP-80

1 Meg x 9, 80 nSEC DRAM 30 pin SIM Configuration, Page Mode

AK491024GN-70

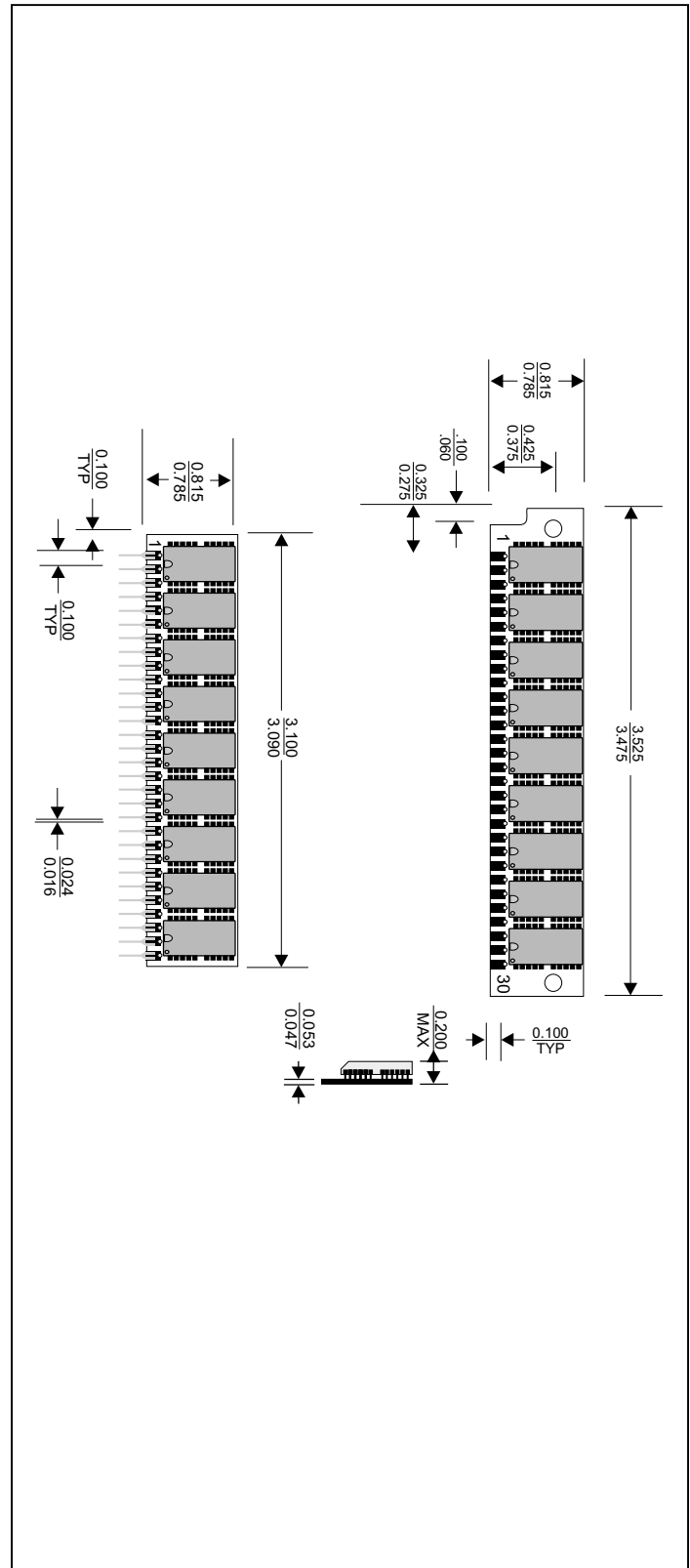
1 Meg x 9, 70 nSEC Dram 30 pin SIP Configuration, Nibble Mode



ACCUTEK MICROCIRCUIT CORPORATION
 BUSINESS CENTER at NEWBURYPORT
 2 NEW PASTURE ROAD, SUITE 1
 NEWBURYPORT, MA 01950-4054
 VOICE: 978-465-6200 FAX: 978-462-3396
 Email: accuthek@seacoast.com
 Internet: www.accutekmicro.com

MECHANICAL DIMENSIONS

Inches



Accuthek Reserves the right to make changes in specifications at any time and without notice. Accuthek does not assume any responsibility for the use of any circuitry described; no circuit patent licenses are implied. Preliminary data sheets contain minimum and maximum limits based upon design objectives, which are subject to change upon full characterization over the specific operating conditions.