

12-Bit, 200Mps, High-Dynamic-Performance, Dual DAC with CMOS Inputs

General Description

The MAX5873 is an advanced 12-bit, 200Mps, dual digital-to-analog converter (DAC). This DAC meets the demanding performance requirements of signal synthesis applications found in wireless base stations and other communications applications. Operating from 3.3V and 1.8V supplies, this dual DAC offers exceptional dynamic performance such as 78dBc spurious-free dynamic range (SFDR) at $f_{OUT} = 16\text{MHz}$ and supports update rates of 200Mps, with a power dissipation of only 255mW.

The MAX5873 utilizes a current-steering architecture that supports a 2mA to 20mA full-scale output current range, and allows a 0.1V_{P-P} to 1V_{P-P} differential output voltage swing. The MAX5873 features an integrated 1.2V bandgap reference and control amplifier to ensure high-accuracy and low-noise performance. A separate reference input (REFIO) allows for the use of an external reference source for optimum flexibility and improved gain accuracy.

The digital and clock inputs of the MAX5873 accept 3.3V CMOS voltage levels. The MAX5873 features a flexible input data bus that allows for dual-port input or a single-interleaved data port. The MAX5873 is available in a 68-pin QFN package with an exposed paddle (EP) and is specified for the extended temperature range (-40°C to +85°C).

Refer to the MAX5874 and MAX5875 data sheets for pin-compatible 14-bit and 16-bit versions of the MAX5873, respectively. Refer to the MAX5876 for an LVDS-compatible version of the MAX5873.

Applications

Base Stations: Single-Carrier UMTS, CDMA, GSM
Communications: Fixed Broadband Wireless Access, Point-to-Point Microwave
Direct Digital Synthesis (DDS)
Cable Modem Termination System (CMTS)
Automated Test Equipment (ATE)
Instrumentation

Selector Guide

PART	RESOLUTION (BITS)	UPDATE RATE (Mps)	LOGIC INPUTS
MAX5873	12	200	CMOS
MAX5874	14	200	CMOS
MAX5875	16	200	CMOS
MAX5876	12	250	LVDS
MAX5877	14	250	LVDS
MAX5878	16	250	LVDS

Features

- ◆ 200Mps Output Update Rate
- ◆ Noise Spectral Density = -152dBFS/Hz at $f_{OUT} = 16\text{MHz}$
- ◆ Excellent SFDR and IMD Performance
 - SFDR = 78dBc at $f_{OUT} = 16\text{MHz}$ (to Nyquist)
 - SFDR = 73dBc at $f_{OUT} = 80\text{MHz}$ (to Nyquist)
 - IMD = -85dBc at $f_{OUT} = 10\text{MHz}$
 - IMD = -74dBc at $f_{OUT} = 80\text{MHz}$
- ◆ ACLR = 74dB at $f_{OUT} = 61\text{MHz}$
- ◆ 2mA to 20mA Full-Scale Output Current
- ◆ CMOS-Compatible Digital and Clock Inputs
- ◆ On-Chip 1.2V Bandgap Reference
- ◆ Low 255mW Power Dissipation
- ◆ 68-Lead QFN-EP Package
- ◆ Evaluation Kit Available (MAX5873EVKIT)

Ordering Information

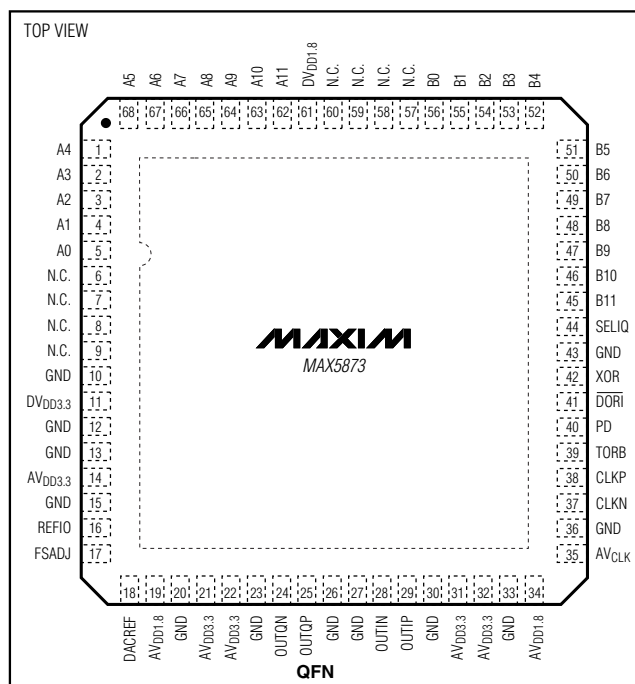
PART	TEMP RANGE	PIN-PACKAGE	PKG CODE
MAX5873EGK-D	-40°C to +85°C	68 QFN-EP*	G6800-4
MAX5873EGK+D	-40°C to +85°C	68 QFN-EP*	G6800-4

*EP = Exposed pad.

+ Denotes lead-free package.

D = Dry pack.

Pin Configuration



12-Bit, 200Msps, High-Dynamic-Performance, Dual DAC with CMOS Inputs

ABSOLUTE MAXIMUM RATINGS

AVDD1.8, DVDD1.8 to GND, DACREF -0.3V to +2.16V
 AVDD3.3, DVDD3.3, AVCLK to GND, DACREF -0.3V to +3.9V
 REFIO, FSADJ to GND, DACREF -0.3V to (AVDD3.3 + 0.3V)
 OUTIP, OUTIN, OUTQP, OUTQN
 to GND, DACREF -1V to (AVDD3.3 + 0.3V)
 CLKP, CLKN to GND, DACREF -0.3V to (AVCLK + 0.3V)
 A11/B11-A0/B0, XOR, SELIQ to
 GND, DACREF -0.3V to (DVDD3.3 + 0.3V)
 TORB, DORI, PD to GND, DACREF -0.3V to (DVDD3.3 + 0.3

Continuous Power Dissipation (T_A = +70°C)
 68-Pin QFN-EP
 (derate 41.7mW/°C above +70°C) (Note 1) 3333.3mW
 Thermal Resistance θ_{JA} (Note 1) +24°C/W
 Operating Temperature Range -40°C to +85°C
 Junction Temperature +150°C
 Storage Temperature Range -60°C to +150°C
 Lead Temperature (soldering, 10s) +300°C

Note 1: Thermal resistors based on a multilayer board with 4 x 4 via array in exposed paddle area.

Stresses beyond those listed under "Absolute Maximum Ratings" may cause permanent damage to the device. These are stress ratings only, and functional operation of the device at these or any other conditions beyond those indicated in the operational sections of the specifications is not implied. Exposure to absolute maximum rating conditions for extended periods may affect device reliability.

ELECTRICAL CHARACTERISTICS

(AVDD3.3 = DVDD3.3 = AVCLK = 3.3V, AVDD1.8 = DVDD1.8 = 1.8V, GND = 0, f_{CLK} = f_{DAC}, external reference V_{REFIO} = 1.25V, output load 50 Ω double terminated, transformer-coupled output, I_{OUTFS} = 20mA, T_A = T_{MIN} to T_{MAX}, unless otherwise noted. Typical values are at T_A = +25°C.) (Note 2)

PARAMETER	SYMBOL	CONDITIONS	MIN	TYP	MAX	UNITS
STATIC PERFORMANCE						
Resolution				12		Bits
Integral Nonlinearity	INL	Measured differentially		±0.2		LSB
Differential Nonlinearity	DNL	Measured differentially		±0.13		LSB
Offset Error	OS		-0.025	±0.001	+0.025	%FS
Offset-Drift Tempco				±10		ppm/°C
Full-Scale Gain Error	GE _{FS}	External reference		±1		%FS
		Internal reference		±100		ppm/°C
Gain-Drift Tempco		External reference		±50		ppm/°C
Full-Scale Output Current	I _{OUT}	(Note 3)	2		20	mA
Output Compliance		Single-ended	-0.5		+1.1	V
Output Resistance	R _{OUT}			1		M Ω
Output Capacitance	C _{OUT}			5		pF
DYNAMIC PERFORMANCE						
Clock Frequency	f _{CLK}		1		200	MHz
Output Update Rate	f _{DAC}	f _{DAC} = f _{CLK} / 2, single-port mode	1		100	Msps
		f _{DAC} = f _{CLK} , dual-port mode	1		200	
Noise Spectral Density		f _{DAC} = 150MHz	f _{OUT} = 16MHz, -12dBFS		-152	dBFS/ Hz
		f _{DAC} = 200MHz	f _{OUT} = 80MHz, -12dBFS		-153	

12-Bit, 200Msps, High-Dynamic-Performance, Dual DAC with CMOS Inputs

MAX5873

ELECTRICAL CHARACTERISTICS (continued)

($V_{DD3.3} = DV_{DD3.3} = AV_{CLK} = 3.3V$, $V_{DD1.8} = DV_{DD1.8} = 1.8V$, $GND = 0$, $f_{CLK} = f_{DAC}$, external reference $V_{REFIO} = 1.25V$, output load 50Ω double terminated, transformer-coupled output, $I_{OUTFS} = 20mA$, $T_A = T_{MIN}$ to T_{MAX} , unless otherwise noted. Typical values are at $T_A = +25^\circ C$.) (Note 2)

PARAMETER	SYMBOL	CONDITIONS	MIN	TYP	MAX	UNITS	
Spurious-Free Dynamic Range to Nyquist	SFDR	$f_{DAC} = 100MHz$	$f_{OUT} = 1MHz, 0dBFS$		86	dBc	
			$f_{OUT} = 1MHz, -6dBFS$		82		
			$f_{OUT} = 1MHz, -12dBFS$		80		
			$f_{OUT} = 10MHz, -12dBFS$		85		
			$f_{OUT} = 30MHz, -12dBFS$		80		
		$f_{DAC} = 200MHz$	$f_{OUT} = 10MHz, -12dBFS$		80		
			$f_{OUT} = 16MHz, -12dBFS, T_A \geq +25^\circ C$	72	78		
			$f_{OUT} = 16MHz, -12dBFS$	68	78		
			$f_{OUT} = 50MHz, -12dBFS$		77		
		$f_{OUT} = 80MHz, -12dBFS$		73			
Spurious-Free Dynamic Range, 25MHz Bandwidth	SFDR	$f_{DAC} = 150MHz$	$f_{OUT} = 16MHz, -12dBFS$		85	dBc	
Two-Tone IMD	TTIMD	$f_{DAC} = 100MHz$	$f_{OUT1} = 9MHz, -7dBFS;$ $f_{OUT2} = 10MHz, -7dBFS$		-85	dBc	
		$f_{DAC} = 200MHz$	$f_{OUT1} = 79MHz, -7dBFS;$ $f_{OUT2} = 80MHz, -7dBFS$		-74		
Four-Tone IMD, 1MHz Frequency Spacing, GSM Model	FTIMD	$f_{DAC} = 150MHz$	$f_{OUT} = 16MHz, -12dBFS$		-82	dBc	
Adjacent Channel Leakage Power Ratio 3.84MHz Bandwidth, W-CDMA Model	ACLR	$f_{DAC} = 184.32MHz$	$f_{OUT} = 61.44MHz$		74	dB	
Output Bandwidth	BW _{-1dB}	(Note 4)		240		MHz	
INTER-DAC CHARACTERISTICS							
Gain Matching	$\Delta Gain$	$f_{OUT} = DC - 80MHz$		± 0.2		dB	
		$f_{OUT} = DC$		+0.01			
Gain-Matching Tempco	$\Delta Gain/^\circ C$			± 20		ppm/ $^\circ C$	
Phase Matching	$\Delta Phase$	$f_{OUT} = 60MHz$		± 0.25		Degrees	
Phase-Matching Tempco	$\Delta Phase/^\circ C$			± 0.002		Degrees/ $^\circ C$	
Channel-to-Channel Crosstalk		$f_{CLK} = 200MHz, f_{OUT} = 50MHz, 0dBFS$		-70		dB	
REFERENCE							
Internal Reference Voltage Range	V_{REFIO}			1.14	1.2	1.26	V
Reference Input Compliance Range	$V_{REFIOCR}$			0.125		1.250	V
Reference Input Resistance	R_{REFIO}			10		k Ω	
Reference Voltage Drift	TC_{REF}			± 25		ppm/ $^\circ C$	

12-Bit, 200Msps, High-Dynamic-Performance, Dual DAC with CMOS Inputs

ELECTRICAL CHARACTERISTICS (continued)

($V_{DD3.3} = DV_{DD3.3} = AV_{CLK} = 3.3V$, $V_{DD1.8} = DV_{DD1.8} = 1.8V$, $GND = 0$, $f_{CLK} = f_{DAC}$, external reference $V_{REFIO} = 1.25V$, output load 50Ω double terminated, transformer-coupled output, $I_{OUTFS} = 20mA$, $T_A = T_{MIN}$ to T_{MAX} , unless otherwise noted. Typical values are at $T_A = +25^\circ C$.) (Note 2)

PARAMETER	SYMBOL	CONDITIONS	MIN	TYP	MAX	UNITS
ANALOG OUTPUT TIMING (See Figure 4)						
Output Fall Time	t_{FALL}	90% to 10% (Note 5)		0.7		ns
Output Rise Time	t_{RISE}	10 % to 90% (Note 5)		0.7		ns
Output-Voltage Settling Time	t_{SETTLE}	Output settles to 0.025% FS (Note 5)		14		ns
Output Propagation Delay	t_{PD}	Excluding data latency (Note 5)		1.1		ns
Glitch Impulse		Measured differentially		1		$pV \cdot s$
Output Noise	N_{OUT}	$I_{OUTFS} = 2mA$		30		pA/\sqrt{Hz}
		$I_{OUTFS} = 20mA$		30		
TIMING CHARACTERISTICS						
Data to Clock Setup Time	t_{SETUP}	Referenced to rising edge of clock (Note 6)	-0.6	-1.2		ns
Data to Clock Hold Time	t_{HOLD}	Referenced to rising edge of clock (Note 6)	2.1	1.5		ns
Single-Port (Interleaved Mode) Data Latency		Latency to I output		9		Clock cycles
		Latency to Q output		8		
Dual-Port (Parallel Mode) Data Latency				5.5		Clock cycles
Minimum Clock Pulse-Width High	t_{CH}	CLKP, CLKN		2.4		ns
Minimum Clock Pulse-Width Low	t_{CL}	CLKP, CLKN		2.4		ns
CMOS LOGIC INPUTS (A11/B11–A0/B0, XOR, SELIQ, PD, TORB, \overline{DORI})						
Input Logic High	V_{IH}		0.7 x			V
Input Logic Low	V_{IL}			0.3 x		V
Input Leakage Current	I_{IN}			1	20	μA
PD, TORB, \overline{DORI} Internal Pulldown Resistance		$V_{PD} = V_{TORB} = V_{\overline{DORI}} = 3.3V$		1.5		$M\Omega$
Input Capacitance	C_{IN}			2.5		pF
CLOCK INPUTS (CLKP, CLKN)						
Differential Input Voltage Swing		Sine wave		> 1.5		V_{P-P}
		Square wave		> 0.5		
Differential Input Slew Rate	SR_{CLK}	(Note 7)		> 100		$V/\mu s$
External Common-Mode Voltage Range	V_{COM}			$AV_{CLK} / 2$ ± 0.3		V
Input Resistance	R_{CLK}			5		$k\Omega$
Input Capacitance	C_{CLK}			2.5		pF
POWER SUPPLIES						
Analog Supply Voltage Range	$AV_{DD3.3}$		3.135	3.3	3.465	V
	$AV_{DD1.8}$		1.710	1.8	1.890	

12-Bit, 200Mps, High-Dynamic-Performance, Dual DAC with CMOS Inputs

ELECTRICAL CHARACTERISTICS (continued)

($AV_{DD3.3} = DV_{DD3.3} = AV_{CLK} = 3.3V$, $AV_{DD1.8} = DV_{DD1.8} = 1.8V$, $GND = 0$, $f_{CLK} = f_{DAC}$, external reference $V_{REFIO} = 1.25V$, output load 50Ω double terminated, transformer-coupled output, $I_{OUTFS} = 20mA$, $T_A = T_{MIN}$ to T_{MAX} , unless otherwise noted. Typical values are at $T_A = +25^\circ C$.) (Note 2)

PARAMETER	SYMBOL	CONDITIONS	MIN	TYP	MAX	UNITS
Digital Supply Voltage Range	$DV_{DD3.3}$		3.135	3.3	3.465	V
	$DV_{DD1.8}$		1.710	1.8	1.890	
Clock Supply Voltage Range	AV_{CLK}		3.135	3.3	3.465	V
Analog Supply Current	$I_{AVDD3.3} + I_{AVCLK}$	$f_{DAC} = 200Mps$, $f_{OUT} = 1MHz$		52	58	mA
		Power-down		0.001		
	$I_{AVDD1.8}$	$f_{DAC} = 200Mps$, $f_{OUT} = 1MHz$		24	32	mA
		Power-down		0.001		
Digital Supply Current	$I_{DVDD3.3}$	$f_{DAC} = 200Mps$, $f_{OUT} = 1MHz$		0.5	3	mA
		Power-down		0.001		
	$I_{DVDD1.8}$	$f_{DAC} = 200Mps$, $f_{OUT} = 1MHz$		20	25	mA
		Power-down		0.001		
Power Dissipation	P_{DISS}	$f_{DAC} = 200Mps$, $f_{OUT} = 1MHz$		255	300	mW
		Power-down		14		μW
Power-Supply Rejection Ratio	PSRR	$AV_{DD3.3} = AV_{CLK} = DV_{DD3.3} = +3.3V \pm 5\%$ (Notes 7, 8)	-0.1		+0.1	%FS/V

Note 2: Specifications at $T_A \geq +25^\circ C$ are guaranteed by production testing. Specifications at $T_A < +25^\circ C$ are guaranteed by design and characterization data.

Note 3: Nominal full-scale current $I_{OUTFS} = 32 \times I_{REF}$.

Note 4: This parameter does not include update-rate-dependent effects of $\sin(x)/x$ filtering inherent in the MAX5873.

Note 5: Parameter measured single-ended into a 50Ω termination resistor.

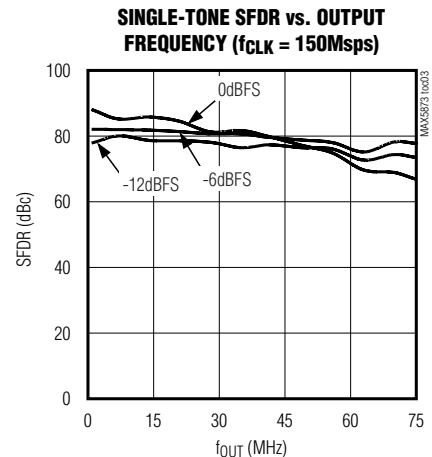
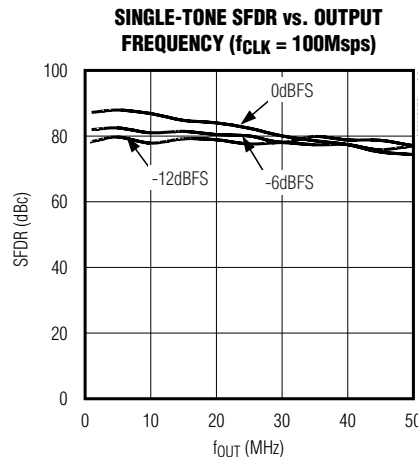
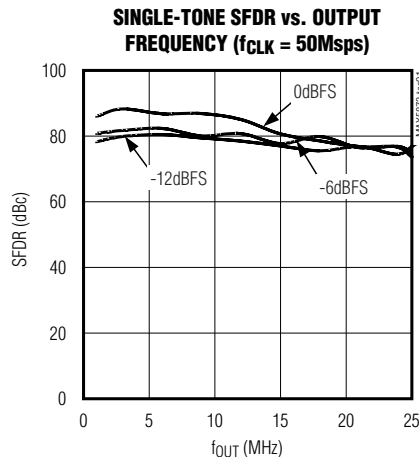
Note 6: Not production tested. Guaranteed by design and characterization data.

Note 7: A differential clock input slew rate of $> 100V/\mu s$ is required to achieve the specified dynamic performance.

Note 8: Parameter defined as the change in midscale output caused by a $\pm 5\%$ variation in the nominal supply voltage.

Typical Operating Characteristics

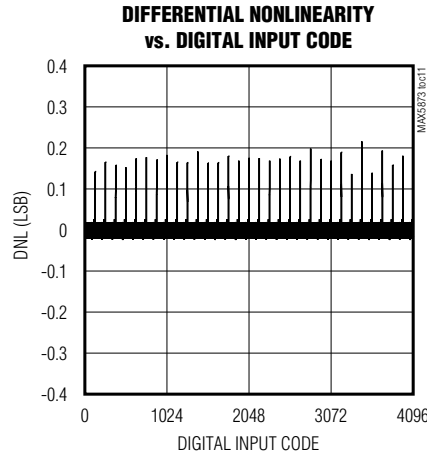
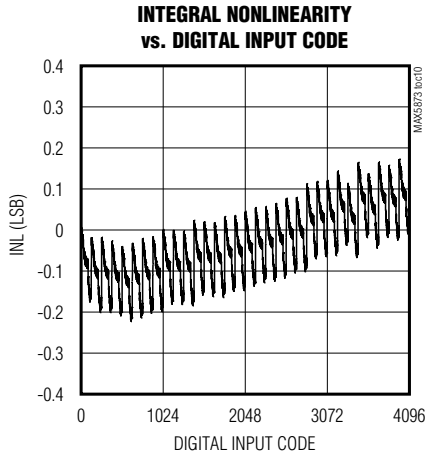
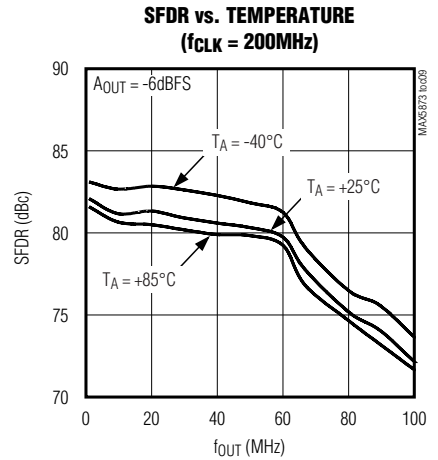
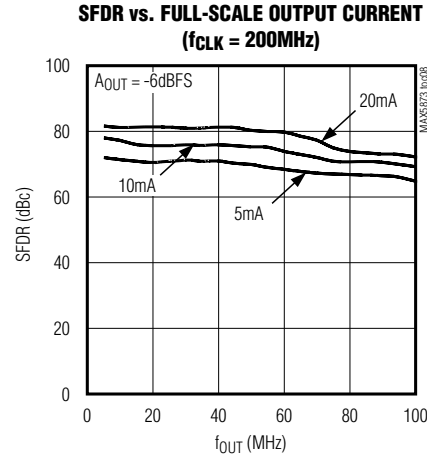
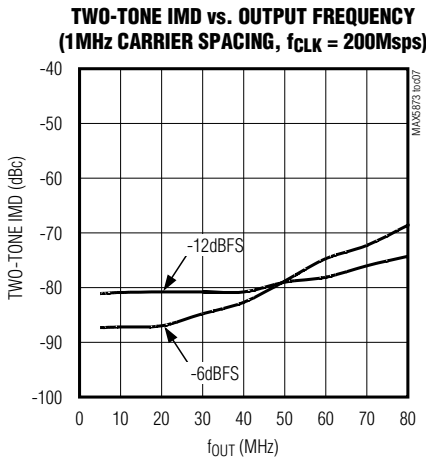
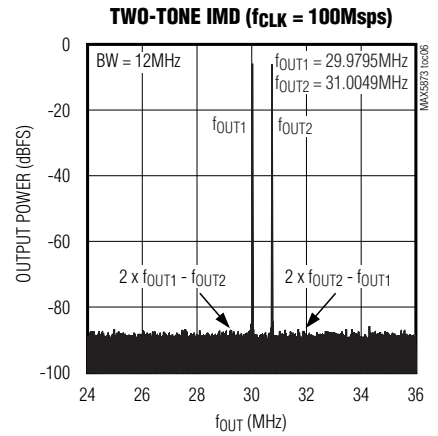
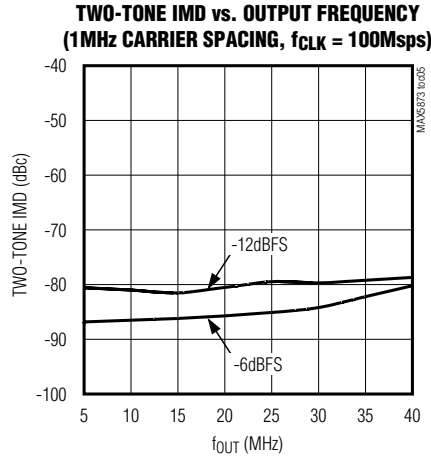
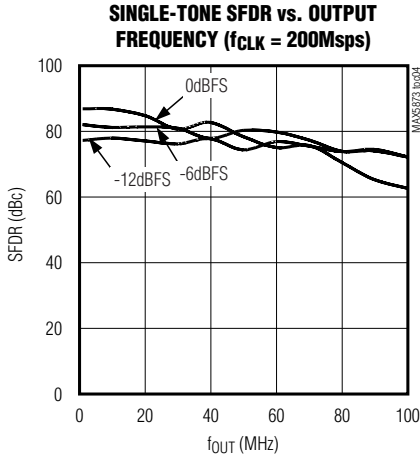
($AV_{DD3.3} = DV_{DD3.3} = AV_{CLK} = 3.3V$, $AV_{DD1.8} = DV_{DD1.8} = 1.8V$, external reference, $V_{REFIO} = 1.25V$, $R_L = 50\Omega$ double-terminated, $I_{OUTFS} = 20mA$, $T_A = +25^\circ C$, unless otherwise noted.)



12-Bit, 200Mps, High-Dynamic-Performance, Dual DAC with CMOS Inputs

Typical Operating Characteristics (continued)

($AV_{DD3.3} = DV_{DD3.3} = AV_{CLK} = 3.3V$, $AV_{DD1.8} = DV_{DD1.8} = 1.8V$, external reference, $V_{REFIO} = 1.25V$, $R_L = 50\Omega$ double-terminated, $I_{OUTFS} = 20mA$, $T_A = +25^\circ C$, unless otherwise noted.)

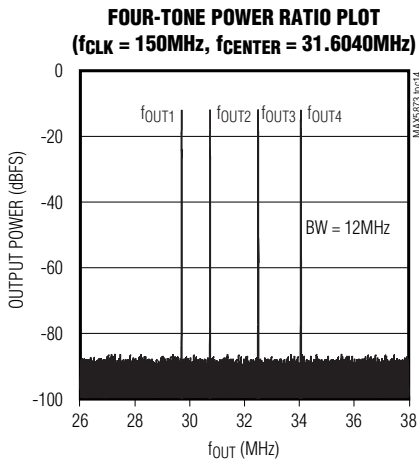
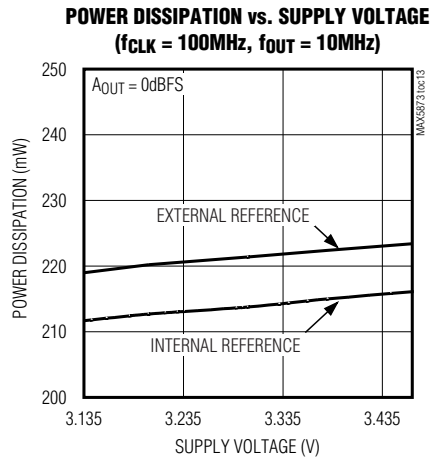
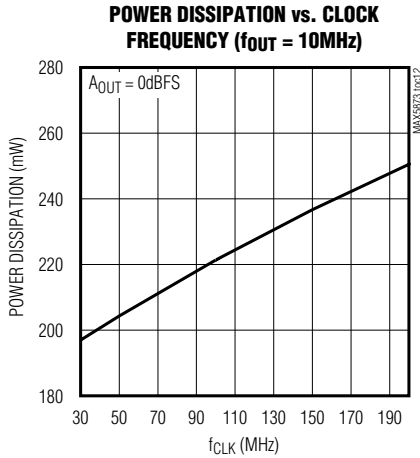


12-Bit, 200Mps, High-Dynamic-Performance, Dual DAC with CMOS Inputs

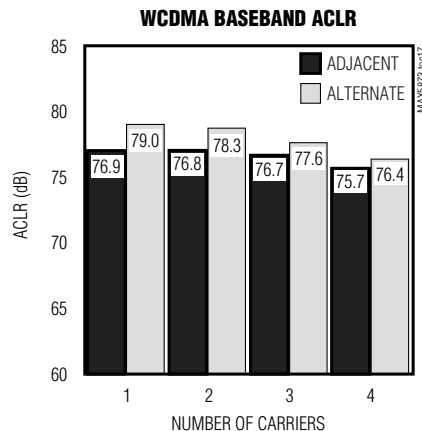
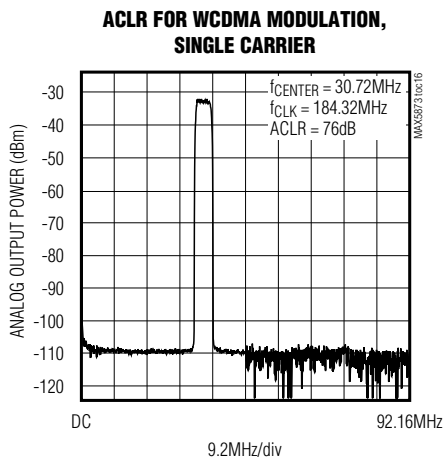
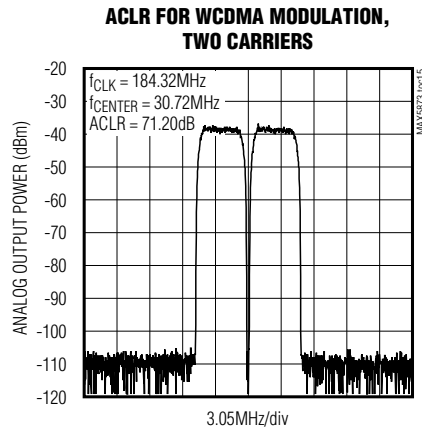
MAX5873

Typical Operating Characteristics (continued)

($AV_{DD3.3} = DV_{DD3.3} = AV_{CLK} = 3.3V$, $AV_{DD1.8} = DV_{DD1.8} = 1.8V$, external reference, $V_{REFIO} = 1.25V$, $R_L = 50\Omega$ double-terminated, $I_{OUTS} = 20mA$, $T_A = +25^\circ C$, unless otherwise noted.)



$f_{OUT1} = 29.6997MHz$ $f_{OUT3} = 32.4829MHz$
 $f_{OUT2} = 30.7251MHz$ $f_{OUT4} = 34.0210MHz$



12-Bit, 200Msps, High-Dynamic-Performance, Dual DAC with CMOS Inputs

Pin Description

PIN	NAME	FUNCTION
1–5	A4, A3, A2, A1, A0	Data Bits A4–A0. In dual-port mode, data is directed to the Q-DAC. In single-port mode, data bits are not used. Connect bits A4–A0 to GND in single-port mode.
6–9, 57–60	N.C.	No Connection. Leave floating or connect to GND.
10, 12, 13, 15, 20, 23, 26, 27, 30, 33, 36, 43	GND	Converter Ground
11	DVDD3.3	Digital Supply Voltage. Accepts a 3.135V to 3.465V supply voltage range. Bypass with a 0.1 μ F capacitor to GND.
14, 21, 22, 31, 32	AVDD3.3	Analog Supply Voltage. Accepts a 3.135V to 3.465V supply voltage range. Bypass each pin with a 0.1 μ F capacitor to GND.
16	REFIO	Reference I/O. Output of the internal 1.2V precision bandgap reference. Bypass with a 1 μ F capacitor to GND. REFIO can be driven with an external reference source. See Table 1.
17	FSADJ	Full-Scale Adjust Input. This input sets the full-scale output current of the DAC. For a 20mA full-scale output current, connect a 2k Ω resistor between FSADJ and DACREF. See Table 1.
18	DACREF	Current-Set Resistor Return Path. For a 20mA full-scale output current, connect a 2k Ω resistor between FSADJ and DACREF. Internally connected to GND. Do not use as a ground connection.
19, 34	AVDD1.8	Analog Supply Voltage. Accepts a 1.71V to 1.89V supply voltage range. Bypass each pin with a 0.1 μ F capacitor to GND.
24	OUTQN	Complementary Q-DAC Output. Negative terminal for current output.
25	OUTQP	Q-DAC Output. Positive terminal for current output.
28	OUTIN	Complementary I-DAC Output. Negative terminal for current output.
29	OUTIP	I-DAC Output. Positive terminal for current output.
35	AVCLK	Clock Supply Voltage. Accepts a 3.135V to 3.465V supply voltage range. Bypass with a 0.1 μ F capacitor to GND.
37	CLKN	Complementary Converter Clock Input. Negative input terminal for differential converter clock. Internally biased to AVCLK / 2.
38	CLKP	Converter Clock Input. Positive input terminal for differential converter clock. Internally biased to AVCLK / 2.
39	TORB	Two's-Complement/Binary Select Input. Set TORB to a CMOS-logic-high level to indicate a two's-complement input format. Set TORB to a CMOS-logic-low level to indicate a binary input format. TORB has an internal pulldown resistor.
40	PD	Power-Down Input. Set PD high to force the DAC into power-down mode. Set PD low for normal operation. PD has an internal pulldown resistor.
41	$\overline{\text{DOR1}}$	Dual (Parallel)/Single (Interleaved) Port Select Input. Set $\overline{\text{DOR1}}$ high to configure as a dual-port DAC. Set $\overline{\text{DOR1}}$ low to configure as a single interleaved-port DAC. $\overline{\text{DOR1}}$ has an internal pulldown resistor.

12-Bit, 200Mps, High-Dynamic-Performance, Dual DAC with CMOS Inputs

MAX5873

Pin Description (continued)

PIN	NAME	FUNCTION
42	XOR	DAC Exclusive-OR Select Input. Set XOR low to allow the data stream to pass unchanged to the DAC input. Set XOR high to invert the input data into the DAC. If unused, connect XOR to GND.
44	SELIQ	DAC Select Input. Set SELIQ low to direct data into the Q-DAC inputs. Set SELIQ high to direct data into the I-DAC inputs. If unused, connect SELIQ to GND. SELIQ's logic state is only valid in single-port (interleaved) mode.
45–56	B11, B10, B9, B8, B7, B6, B5, B4, B3, B2, B1, B0	Data Bits B11–B0. In dual-port mode, data is directed to the I-DAC. In single-port mode, the state of SELIQ determines where the data bits are directed.
61	DVDD1.8	Digital Supply Voltage. Accepts a supply voltage range of 1.71V to 1.89V. Bypass with a 0.1µF capacitor to GND.
62–68	A11, A10, A9, A8, A7, A6, A5	Data Bits A11–A5. In dual-port mode, data is directed to the Q-DAC. In single-port mode, data bits are not used. Connect bits A11–A5 to GND in single-port mode.
—	EP	Exposed Pad. Must be connected to GND through a low-impedance path.

Detailed Description

Architecture

The MAX5873 high-performance, 12-bit, dual current-steering DAC (Figure 1) operates with DAC update rates up to 200Mps. The converter consists of input registers and a demultiplexer for single-port (interleaved) mode, followed by a current-steering array. During operation in interleaved mode, the input data registers demultiplex the single-port data bus. The current-steering array generates differential full-scale currents in the 2mA to 20mA range. An internal current-switching network, in combination with external 50Ω termination resistors, converts the differential output currents into dual differential output voltages with a 0.1V to 1V peak-to-peak output voltage range. An integrated 1.2V bandgap reference, control amplifier, and user-selectable external resistor determine the data converter's full-scale output range.

Reference Architecture and Operation

The MAX5873 supports operation with the internal 1.2V bandgap reference or an external reference voltage source. REFIO serves as the input for an external, low-impedance reference source. REFIO also serves as a reference output when the DAC operates in internal reference mode. For stable operation with the internal reference, decouple REFIO to GND with a 1µF capacitor. Due to its limited output drive capability, buffer REFIO with an external amplifier when driving large external loads.

The MAX5873's reference circuit (Figure 2) employs a control amplifier to regulate the full-scale current I_{OUTFS} for the differential current outputs of the DAC. Configured as a voltage-to-current amplifier, calculate the output current as follows:

$$I_{OUTFS} = 32 \times \frac{V_{REFIO}}{R_{SET}} \times \left(1 - \frac{1}{2^{12}}\right)$$

where I_{OUTFS} is the full-scale output current of the DAC. R_{SET} (located between FSADJ and DACREF) determines the amplifier's full-scale output current for the DAC. See Table 1 for a matrix of different I_{OUTFS} and R_{SET} selections.

Table 1. I_{OUTFS} and R_{SET} Selection Matrix Based on a Typical 1.200V Reference Voltage

FULL-SCALE CURRENT I _{OUTFS} (mA)	R _{SET} (Ω)	
	CALCULATED	1% EIA STD
2	19.2k	19.1k
5	7.68k	7.5k
10	3.84k	3.83k
15	2.56k	2.55k
20	1.92k	1.91k

12-Bit, 200Mps, High-Dynamic-Performance, Dual DAC with CMOS Inputs

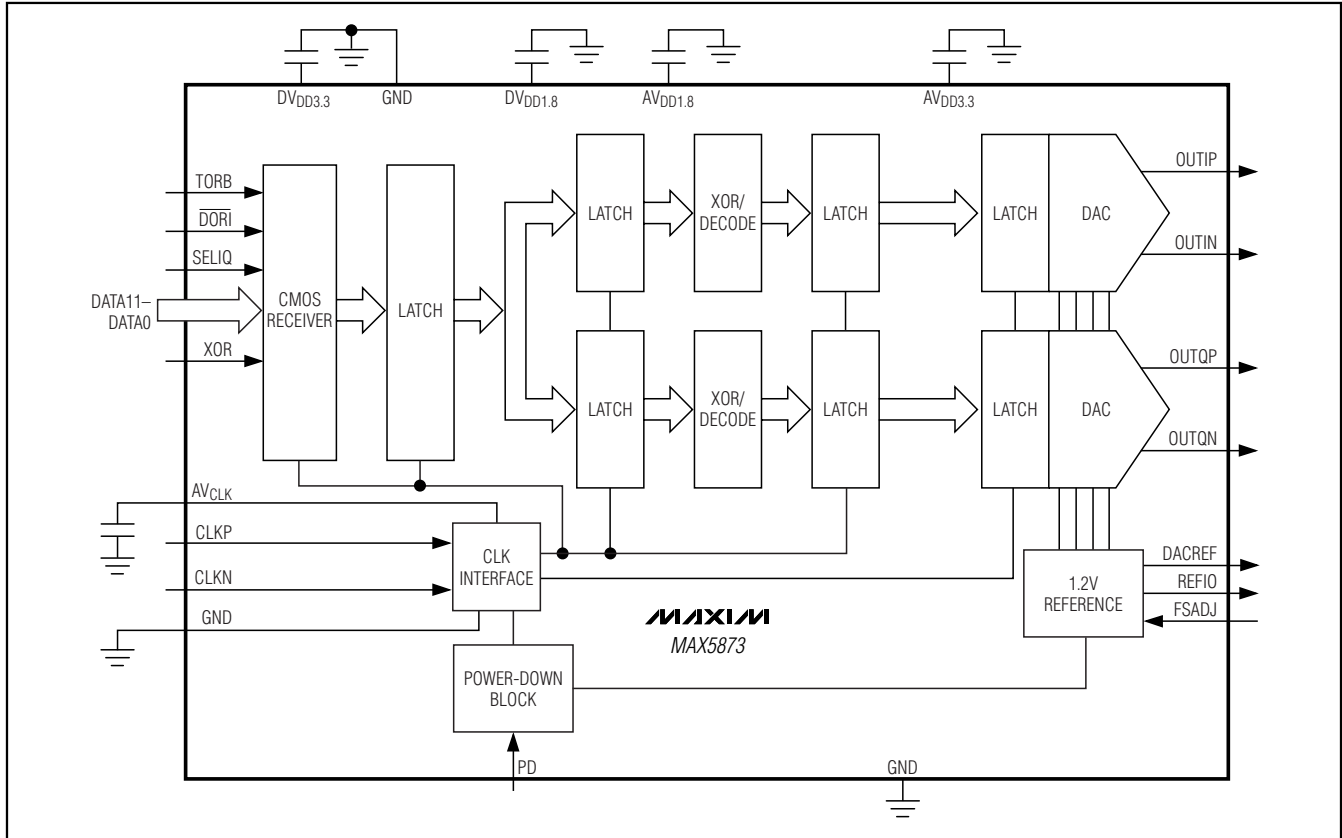


Figure 1. MAX5873 High-Performance, 12-Bit, Dual Current-Steering DAC

Analog Outputs (OUTIP, OUTIN, OUTQP, OUTQN)

Each MAX5873 DAC outputs two complementary currents (OUTIP/N, OUTQP/N) that operate in a single-ended or differential configuration. A load resistor converts these two output currents into complementary single-ended output voltages. A transformer or a differential amplifier configuration converts the differential voltage existing between OUTIP (OUTQP) and OUTIN (OUTQN) to a single-ended voltage. If not using a transformer, the recommended termination from the output is a 25 Ω termination resistor to ground and a 50 Ω resistor between the outputs.

To generate a single-ended output, select OUTIP (or OUTQP) as the output and connect OUTIN (or OUTQN) to GND. SFDR degrades with single-ended operation. Figure 3 displays a simplified diagram of the internal output structure of the MAX5873.

Clock Inputs (CLKP, CLKN)

The MAX5873 features flexible differential clock inputs (CLKP, CLKN) operating from a separate supply

(AVCLK) to achieve the lowest possible jitter performance. Drive the differential clock inputs from a single-ended or a differential clock source. For single-ended operation, drive CLKP with a logic source and bypass CLKN to GND with a 0.1 μ F capacitor.

CLKP and CLKN are internally biased to AVCLK / 2. This facilitates the AC-coupling of clock sources directly to the device without external resistors to define the DC level. The dynamic input resistance from CLKP and CLKN to ground is > 5k Ω .

Data Timing Relationship

Figure 4 displays the timing relationship between digital CMOS data, clock, and output signals. The MAX5873 features a 1.5ns hold, a -1.2ns setup, and a 1.1ns propagation delay time. A nine (eight)-clock-cycle latency exists between CLKP/CLKN, and OUTIP/OUTIN (OUTQP/OUTQN) when operating in single-port (interleaved) mode. In dual-port (parallel) mode, the clock latency is 5.5 clock cycles for both channels.

12-Bit, 200Msps, High-Dynamic-Performance, Dual DAC with CMOS Inputs

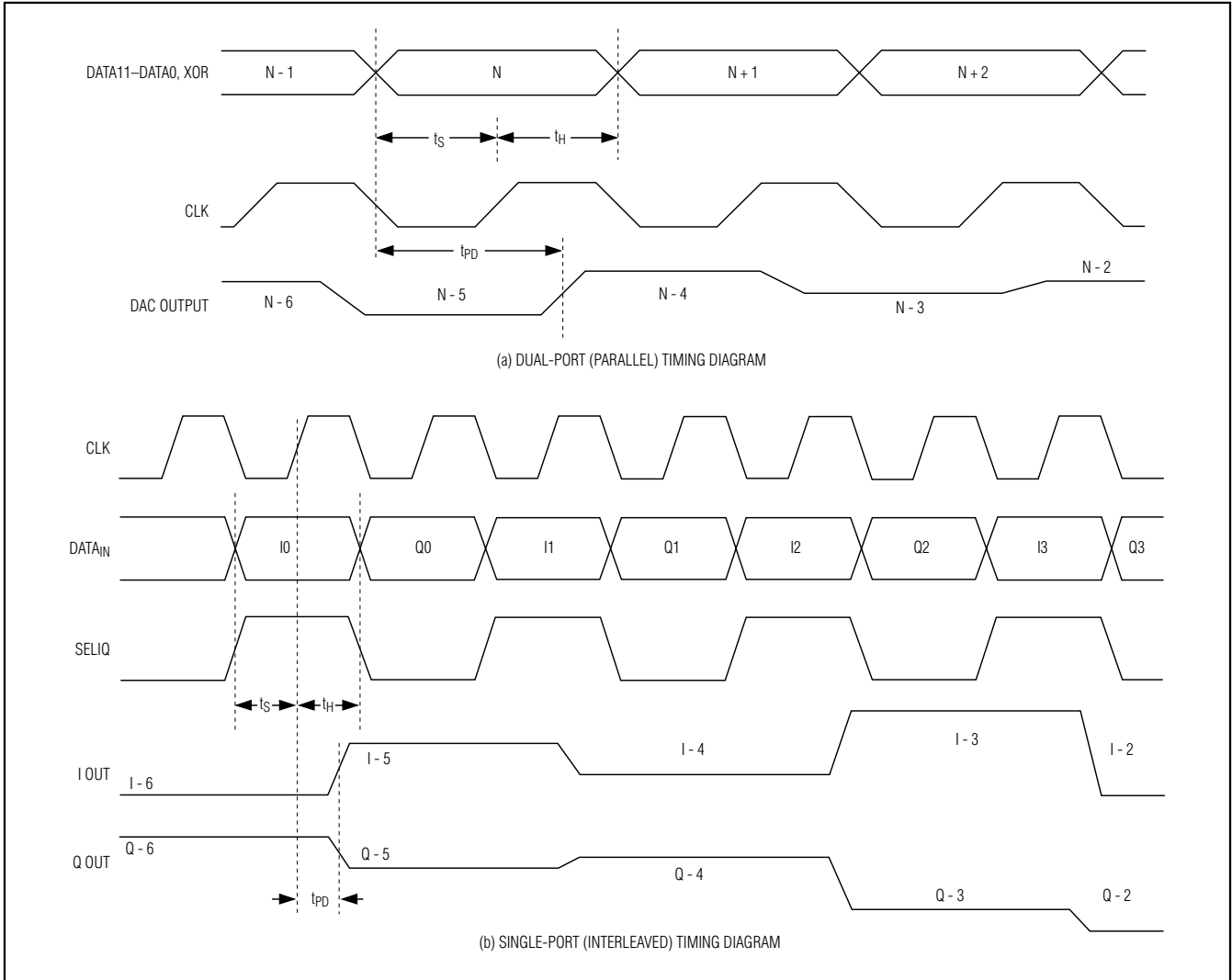


Figure 4. Timing Relationships Between Clock and Input Data for (a) Dual-Port (Parallel) Mode and (b) Single-Port (Interleaved) Mode

Applications Information

CLK Interface

The MAX5873 features a flexible differential clock input (CLKP, CLKN) with a separate supply (AVCLK) to achieve optimum jitter performance. Use an ultra-low jitter clock to achieve the required noise density. Clock jitter must be less than 0.5ps_{RMS} for meeting the specified noise density. For that reason, the CLKP/CLKN input source must be designed carefully. The differential clock (CLKN and CLKP) input can be driven from a single-ended or a differential clock source. Differential

clock drive is required to achieve the best dynamic performance from the DAC. For single-ended operation, drive CLKP with a low noise source and bypass CLKN to GND with a 0.1μF capacitor.

Figure 5 shows a convenient and quick way to apply a differential signal created from a single-ended source (e.g., HP/Agilent 8644B signal generator) and a wide-band transformer. Alternatively, these inputs can be driven from a CMOS-compatible clock source; however, it is recommended to use sinewave or AC-coupled differential ECL/PECL drive for best dynamic performance.

12-Bit, 200MSPS, High-Dynamic-Performance, Dual DAC with CMOS Inputs

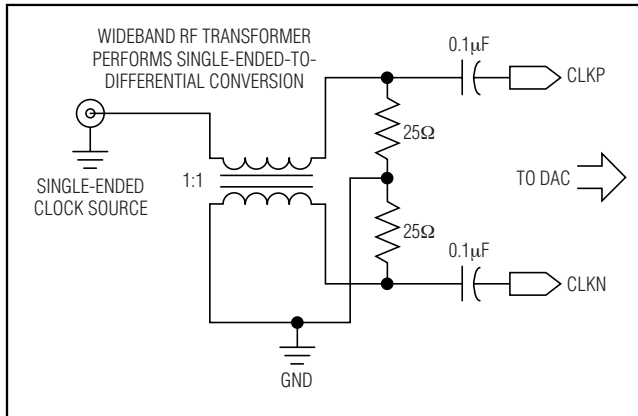


Figure 5. Differential Clock-Signal Generation

Differential Coupling Using a Wideband RF Transformer

Use a pair of transformers (Figure 6) or a differential amplifier configuration to convert the differential voltage existing between OUTIP/OUTQP and OUTIN/OUTQN to a single-ended voltage. Optimize the dynamic performance by using a differential transformer-coupled output to limit the output power to < 0dBm full scale. Pay close attention to the transformer core saturation characteristics when selecting a transformer for the MAX5873. Transformer core saturation can introduce strong 2nd-order harmonic distortion especially at low output frequencies and high signal amplitudes. For best results, center tap the transformer to ground. When not using a transformer, terminate each DAC output to ground with a 25Ω resistor. Additionally, place a 50Ω resistor between the outputs (Figure 7).

For a single-ended unipolar output, select OUTIP (OUTQP) as the output and ground OUTIN (OUTQN) to GND. Driving the MAX5873 single-ended is not recom-

mended since additional noise and distortion will be added.

The distortion performance of the DAC depends on the load impedance. The MAX5873 is optimized for 50Ω differential double termination. It can be used with a transformer output as shown in Figure 6 or just one 25Ω resistor from each output to ground and one 50Ω resistor between the outputs (Figure 7). This produces a full-scale output power of up to -2dBm, depending on the output current setting. Higher termination impedance can be used at the cost of degraded distortion performance and increased output noise voltage.

Grounding, Bypassing, and Power-Supply Considerations

Grounding and power-supply decoupling can strongly influence the MAX5873 performance. Unwanted digital crosstalk couples through the input, reference, power supply, and ground connections, and affects dynamic performance. High-speed, high-frequency applications require closely followed proper grounding and power-supply decoupling. These techniques reduce EMI and internal crosstalk that can significantly affect the MAX5873 dynamic performance.

Use a multilayer PCB with separate ground and power-supply planes. Run high-speed signals on lines directly above the ground plane. Keep digital signals as far away from sensitive analog inputs and outputs, reference input sense lines, common-mode input, and clock inputs as practical. Use a symmetric design of clock input and the analog output lines to minimize 2nd-order harmonic distortion components, thus optimizing the DAC's dynamic performance. Keep digital signal paths short and run lengths matched to avoid propagation delay and data skew mismatches.

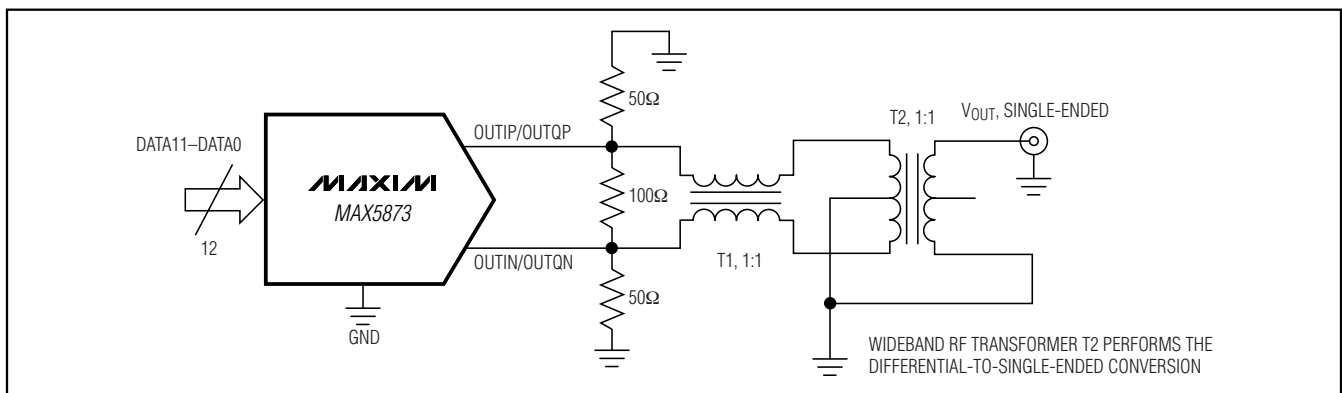


Figure 6. Differential-to-Single-Ended Conversion Using a Wideband RF Transformer

12-Bit, 200Msps, High-Dynamic-Performance, Dual DAC with CMOS Inputs

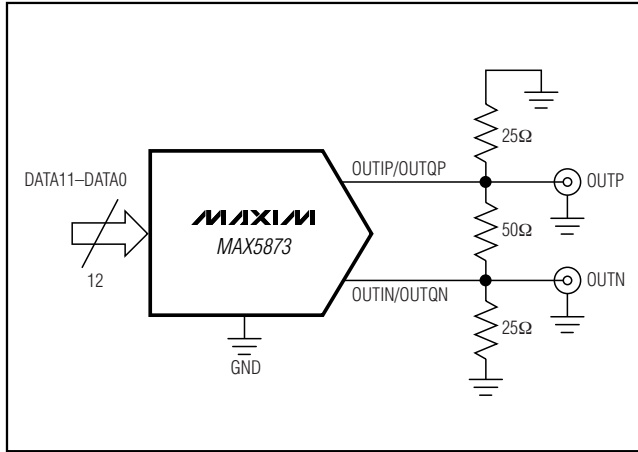


Figure 7. Differential Output Configuration

The MAX5873 requires five separate power-supply inputs for analog ($AV_{DD1.8}$ and $AV_{DD3.3}$), digital ($DV_{DD1.8}$ and $DV_{DD3.3}$), and clock (AV_{CLK}) circuitry. Decouple each AV_{DD} , DV_{DD} , and AV_{CLK} input pin with a separate $0.1\mu\text{F}$ capacitor as close to the device as possible with the shortest possible connection to the ground plane (Figure 8). Minimize the analog and digital load capacitances for optimized operation. Decouple all three power-supply voltages at the point they enter the PCB with tantalum or electrolytic capacitors. Ferrite beads with additional decoupling capacitors forming a pi-network could also improve performance.

The analog and digital power-supply inputs $AV_{DD3.3}$, AV_{CLK} , and $DV_{DD3.3}$ allow a 3.135V to 3.465V supply voltage range. The analog and digital power-supply inputs $AV_{DD1.8}$ and $DV_{DD1.8}$ allow a 1.71V to 1.89V supply voltage range.

The MAX5873 is packaged in a 68-pin QFN-EP package, providing greater design flexibility, increased thermal efficiency, and optimized DAC AC performance. The EP enables the use of necessary grounding techniques to ensure highest performance operation. Thermal efficiency is not the key factor, since the MAX5873 features low-power operation. The exposed pad ensures a solid ground connection between the DAC and the PCB's ground layer.

The data converter die attaches to an EP lead frame with the back of this frame exposed at the package bottom surface, facing the PCB side of the package. This allows for a solid attachment of the package to the PCB with standard infrared reflow (IR) soldering techniques. A specially created land pattern on the PCB, matching the size of the EP (6mm x 6mm), ensures the proper attachment and grounding of the DAC. Refer to the MAX5873 EV kit data sheet. Designing vias into the land area and imple-

menting large ground planes in the PCB design allow for the highest performance operation of the DAC. Use an array of at least 4×4 vias ($\leq 0.3\text{mm}$ diameter per via hole and 1.2mm pitch between via holes) for this 68-pin QFN-EP package. **Connect the MAX5873 exposed paddle to GND.** Vias connect the land pattern to internal or external copper planes. Use as many vias as possible to the ground plane to minimize inductance.

Static Performance Parameter Definitions

Integral Nonlinearity (INL)

Integral nonlinearity is the deviation of the values on an actual transfer function from either a best straight-line fit (closest approximation to the actual transfer curve) or a line drawn between the end points of the transfer function, once offset and gain errors have been nullified. For a DAC, the deviations are measured at every individual step.

Differential Nonlinearity (DNL)

Differential nonlinearity is the difference between an actual step height and the ideal value of 1 LSB. A DNL error specification of less than 1 LSB guarantees a monotonic transfer function.

Offset Error

The offset error is the difference between the ideal and the actual offset current. For a DAC, the offset point is the average value at the output for the two midscale digital input codes with respect to the full scale of the DAC. This error affects all codes by the same amount.

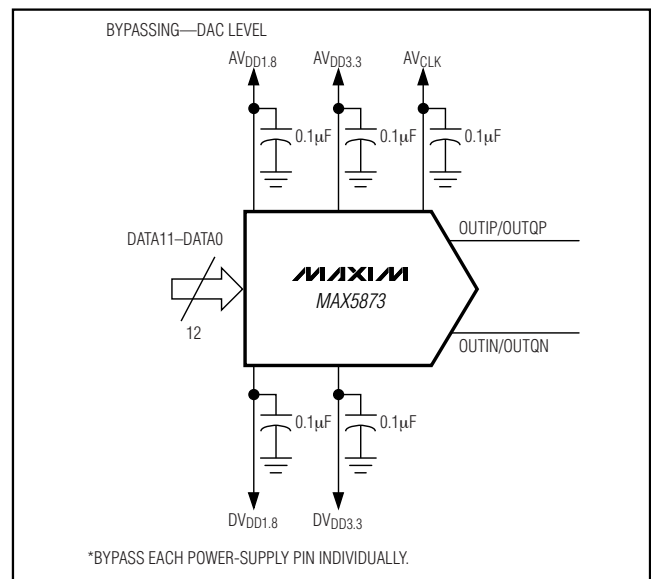


Figure 8. Recommended Power-Supply Decoupling and Bypassing Circuitry

12-Bit, 200Msps, High-Dynamic-Performance, Dual DAC with CMOS Inputs

Gain Error

A gain error is the difference between the ideal and the actual full-scale output voltage on the transfer curve, after nullifying the offset error. This error alters the slope of the transfer function and corresponds to the same percentage error in each step.

Dynamic Performance Parameter Definitions

Signal-to-Noise Ratio (SNR)

For a waveform perfectly reconstructed from digital samples, the theoretical maximum SNR is the ratio of the full-scale analog output (RMS value) to the RMS quantization error (residual error). The ideal, theoretical minimum can be derived from the DAC's resolution (N bits):

$$\text{SNR} = 6.02 \times N + 1.76$$

However, noise sources such as thermal noise, reference noise, clock jitter, etc., affect the ideal reading; therefore, SNR is computed by taking the ratio of the RMS signal to the RMS noise, which includes all spectral components minus the fundamental, the first four harmonics, and the DC offset.

Noise Spectral Density

The DAC output noise floor is the sum of the quantization noise and the output amplifier noise (thermal and shot noise). Noise spectral density is the noise power in 1Hz bandwidth, specified in dBFS/Hz.

Spurious-Free Dynamic Range (SFDR)

SFDR is the ratio of RMS amplitude of the carrier frequency (maximum signal components) to the RMS value of their next-largest distortion component. SFDR is usually measured in dBc and with respect to the carrier frequency amplitude or in dBFS with respect to the DAC's full-scale range. Depending on its test condition, SFDR is observed within a predefined window or to Nyquist.

Two-Tone Intermodulation Distortion (IMD)

The two-tone IMD is the ratio expressed in dBc (or dBFS) of the worst 3rd-order (or higher) IMD product(s) to either output tone.

Adjacent Channel Leakage Power Ratio (ACLR)

Commonly used in combination with wideband code-division multiple-access (W-CDMA), ACLR reflects the leakage power ratio in dB between the measured power within a channel relative to its adjacent channel. ACLR provides a quantifiable method of determining out-of-band spectral energy and its influence on an adjacent channel when a bandwidth-limited RF signal passes through a nonlinear device.

Settling Time

The settling time is the amount of time required from the start of a transition until the DAC output settles its new output value to within the converter's specified accuracy.

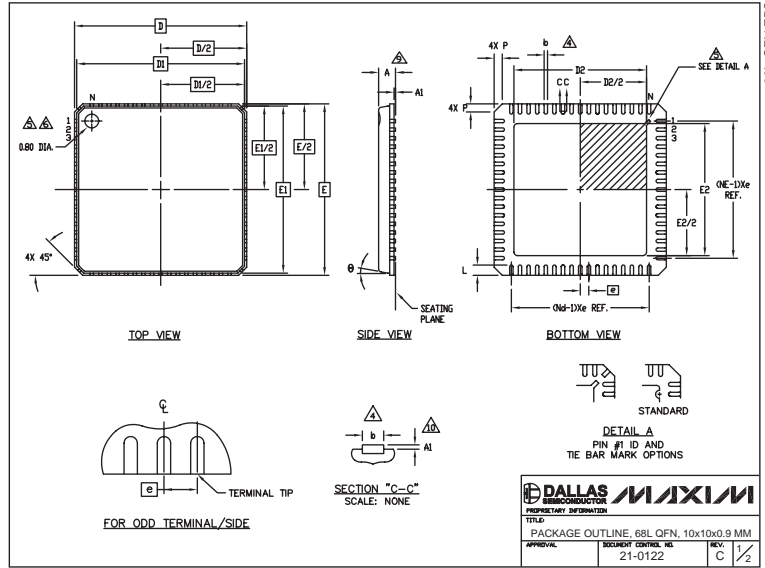
Glitch Impulse

A glitch is generated when a DAC switches between two codes. The largest glitch is usually generated around the midscale transition, when the input pattern transitions from 011...111 to 100...000. The glitch impulse is found by integrating the voltage of the glitch at the midscale transition over time. The glitch impulse is usually specified in pV•s.

12-Bit, 200Msps, High-Dynamic-Performance, Dual DAC with CMOS Inputs

Package Information

(The package drawing(s) in this data sheet may not reflect the most current specifications. For the latest package outline information go to www.maxim-ic.com/packages.)



COMMON DIMENSIONS			
Symbol	MIN.	NOM.	MAX.
A	—	0.90	1.00
A1	0.00	0.01	0.05
b	0.18	0.23	0.30
D	10.00 BSC		
D1	9.75 BSC		
E1	0.50 BSC		
E2	10.00 BSC		
E	9.75 BSC		
L	0.50	0.60	0.65
N	68		3
Nd	17		3
Ne	17		3
θ	0		12°
P	0	0.42	0.60

EXPOSED PAD VARIATIONS						
PKG CODE	D2			E2		
	MIN	NOM	MAX	MIN	NOM	MAX
G6800-2	7.55	7.70	7.85	7.55	7.70	7.85
G6800-4	5.65	5.80	5.95	5.65	5.80	5.95

Revision History

Pages changed at Rev 3: 1–16

Maxim cannot assume responsibility for use of any circuitry other than circuitry entirely embodied in a Maxim product. No circuit patent licenses are implied. Maxim reserves the right to change the circuitry and specifications without notice at any time.

16 Maxim Integrated Products, 120 San Gabriel Drive, Sunnyvale, CA 94086 408-737-7600