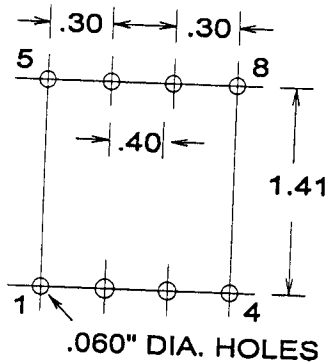
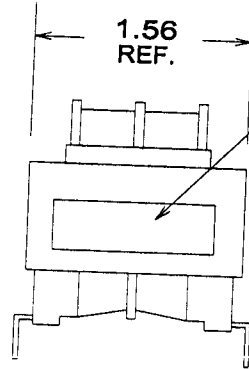
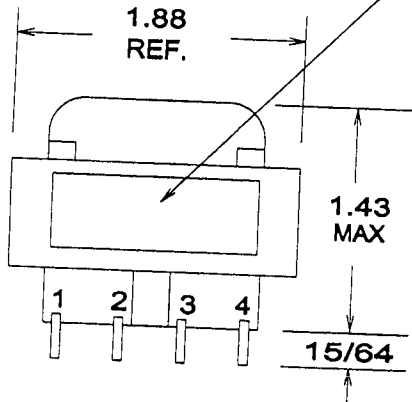
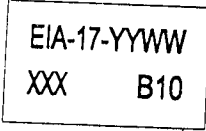


TOLERANCE UNLESS SPECIFIED = .XXX = +/- .005 .XX = +/- .015 FRACTIONS = +/- .032

FS16-800.DC2

YYWW = YEAR, WEEK
XXX = SITECODE



PRODUCTION TESTS

URNS RATIO = 100%

| | |
|-----------------------|-------------------|
| DC RESISTANCE IN OHMS | (1-2) 121 TO 149 |
| | (3-4) 139 TO 170 |
| | (5-6) .71 TO 1.06 |
| | (7-8) .8 TO 1.2 |

MAX EXCITATION CURRENT = .020 AMPS

APPLY = 230V, 60Hz PINS 1-4

CONNECT PINS 2-3

OPEN CIRCUIT VOLTAGE TEST:

APPLY 230V/60HZ PINS 1-4, CON. 2-3

READ 9.4 TO 9.9 EACH SECONDARY

HIPOT = 2500V P-S

1500V P, S TO CORE

500V P-P, S-S

CONTINUITY = 100% PRIMARY

IMPREGNATION NOTES = 2 HOUR PREHEAT
PINS MUST BE FREE OF IMPREG.

FINAL ASSEMBLY NOTES

METHOD

1 X 1

MARKING

SEE LABEL DETAIL ABOVE



PART NO.: FS16-800