

PLEASE CHECK WWW.MOLEX.COM FOR LATEST PART INFORMATION

Part Number: [0029110093](#)
Status: **Active**
Overview: [spox](#)
Description: 2.50mm (.098") Pitch SPOX™ Wire-to-Wire Plug Housing, Friction Lock, Optional Mounting Ears, 9 Circuits

Documents:

| | |
|---|--|
| 3D Model | Product Specification PS-51191-003 (PDF) |
| Drawing (PDF) | RoHS Certificate of Compliance (PDF) |
| Product Specification PS-5102-003 (PDF) | |

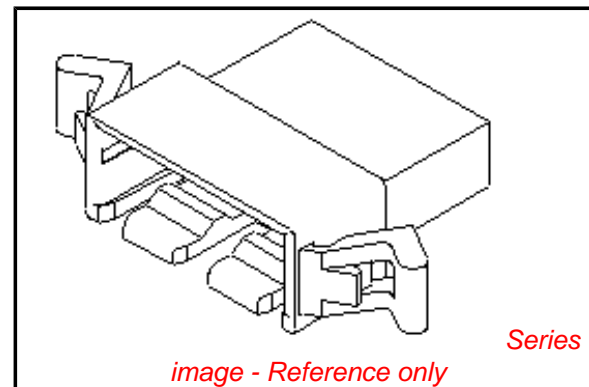


image - Reference only

Agency Certification

| | |
|-----|-----------|
| CSA | LR19980 |
| TUV | R72090224 |
| UL | E29179 |

General

| | |
|----------------|----------------------|
| Product Family | Crimp Housings |
| Series | 5240 |
| Overview | spox |
| Product Name | SPOX™ |

Physical

| | |
|-------------------------------|-----------------|
| Circuits (maximum) | 9 |
| Flammability | 94V-0 |
| Gender | Male |
| Glow-Wire Compliant | No |
| Lock to Mating Part | Yes |
| Number of Rows | 1 |
| Packaging Type | Bag |
| Panel Mount | No, Yes |
| Pitch - Mating Interface (in) | 0.098 In |
| Pitch - Mating Interface (mm) | 2.50 mm |
| Stackable | No |
| Temperature Range - Operating | -40°C to +105°C |

Material Info

| | |
|-----------------|----------|
| Old Part Number | 5240-091 |
|-----------------|----------|

Reference - Drawing Numbers

| | |
|-------------------------|---------------------------|
| Packaging Specification | SPK-5240-001 |
| Product Specification | PS-5102-003, PS-51191-003 |
| Sales Drawing | SD-5240-N1 |

EU RoHS

ELV and RoHS Compliant
REACH SVHC Contains SVHC: No
Halogen-Free Status
Not Reviewed

China RoHS



Need more information on product environmental compliance?

Email productcompliance@molex.com
 For a multiple part number RoHS Certificate of Compliance, [click here](#)

Please visit the [Contact Us](#) section for any non-product compliance questions.

Search Parts in this Series

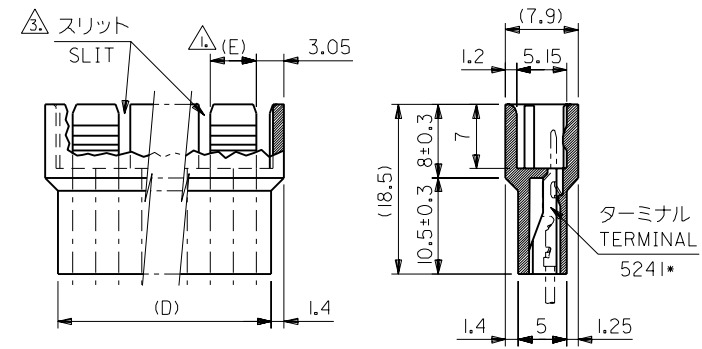
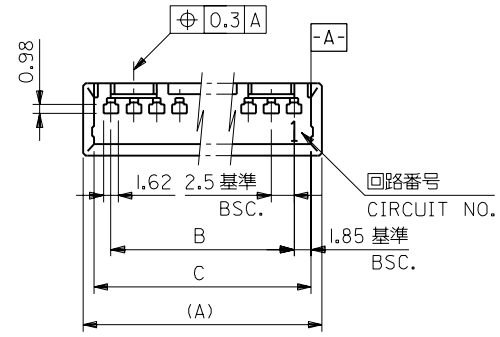
[5240Series](#)

Mates With

[51191 Housing](#)

Use With

[5241](#)



注) NOTE.

- △ フリクションロック構成:
FRICITION LOCK CONFIGURATION:
4極までは1箇所
4CKT AND UNDER - 1LOCK
5極以上は2箇所
5CKT AND OVER - 2LOCKS
- 2. 嵌合相手: 5102-N
MATES WITH HOUSING: 5102-N
- △ スリット構成:
SLIT CONFIGURATION:
4極以下はなし
4CKT AND UNDER - NO SLIT
5及び6極は1箇所
5 AND 6CKTS - 1 SLIT
7極以上は2箇所
7CKT AND OVER - 2 SLITS

| | | | | | | | | |
|------------|----------|------|------|------|------|------|--|---------|
| 29-11-0153 | 5240-151 | 35 | 38.7 | 4.1 | 5 | 38.3 | | 15 |
| ▲ -0143 | ▲ -141 | 32.5 | 36.2 | 38.6 | 5 | 35.8 | | 14 |
| | -0133 | -131 | 30 | 33.7 | 5 | 33.3 | | 13 |
| | -0123 | -121 | 27.5 | 31.2 | 5 | 30.8 | | 12 |
| | -0113 | -111 | 25 | 28.7 | 5 | 28.3 | | 11 |
| | -0103 | -101 | 22.5 | 26.2 | 5 | 25.8 | | 10 |
| | -0093 | -091 | 20 | 23.7 | 5 | 23.3 | | 9 |
| | -0083 | -081 | 17.5 | 21.2 | 5 | 20.8 | | 8 |
| | -0073 | -071 | 15 | 18.7 | 5 | 18.3 | | 7 |
| | -0063 | -061 | 12.5 | 16.2 | 5 | 15.8 | | 6 |
| | -0053 | -051 | 10 | 13.7 | 3.75 | 13.3 | | 5 |
| | -0043 | -041 | 7.5 | 11.2 | 7.5 | 10.8 | | 4 |
| ▼ -0033 | ▼ -031 | 5 | 8.7 | 11.1 | 5 | 8.3 | | 3 |
| 29-11-0023 | 5240-021 | 2.5 | 6.2 | 8.6 | 2.5 | 5.8 | | 2 |
| EDP. NO. | ENG. NO. | B | C | (A) | (E) | (D) | | 極数 CKT. |

DO NOT SCALE DRAWING

| | | | | | | | | | | | | | |
|--|----------------------------------|----------------------------------|----------------------------------|---|----------------------|--|---|-------|--|-----------------------------------|--|----------------|-----|
| EC NO. DRWN: CHK: APPR: | EC NO. DRWN: CHK: APPR: | EC NO. DRWN: CHK: APPR: | EC NO. DRWN: CHK: APPR: | REDRAWN EC NO. JC2000-0629 DRWN: K.KOHAMA 000/3/28 CHK: T.YAMAGUCHI 000/3/30 APPR: M.FUKUSHIMA 000/3/30 | MATERIAL 材料 | ナイロン66, 94V-0 NYLON66, 94V-0 色: オフホワイト COLOR: OFF WHITE | GENERAL TOLERANCES: (UNLESS SPECIFIED) 一般公差 | SCALE | DESIGN UNITS | THIRD ANGLE PROJECTION | DIMENSIONS: <input type="checkbox"/> mm <input type="checkbox"/> INCH <input checked="" type="checkbox"/> mm ONLY | SHT | REV |
| | | | | | FINISH 仕上り | // | 10 UNDER 未満 | +0.2 | DRAWN BY & DATE K.KOHAMA 000/3/28 | TITLE: MINI. SPOX PLUG HSG. | REVISE ON CAD ONLY | | |
| | | | | | WIRE RANGE 適用線径範囲 | // | 10 OVER 以上 30 UNDER 未満 | +0.25 | CHECKED BY & DATE T.YAMAGUCHI 000/3/30 | | | | |
| | | | | | INS. RANGE 被覆外径 | // | 30 OVER 以上 | +0.3 | APPROVED BY & DATE M.FUKUSHIMA 000/3/30 | | | | |
| | | | | | WIRE RANGE | // | ANGLE 角度 | +3° | CAD FILENAME S5240.S01 | MATERIAL NO. 5240-***I | DRAWING NO. SD-5240-NI | SHEET NO. 1 | |
| THIS DRAWING CONTAINS INFORMATION THAT IS PROPRIETARY TO MOLEX INCORPORATED AND SHOULD NOT BE USED WITHOUT WRITTEN PERMISSION. | | | | | | | | | | SIZE B | | | |