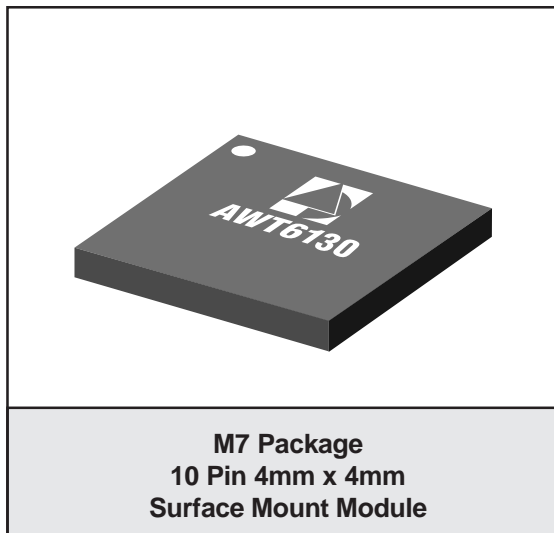


## FEATURES

- InGaP HBT Technology
- High Efficiency: 48% AMPS, 37% CDMA
- Low Quiescent Current: 50 mA
- Low Leakage Current in Shutdown Mode: <math><1 \mu\text{A}</math>
- Optimized for a 50  $\Omega$  System
- Low Profile Miniature Surface Mount Package
- CDMA 1XRTT Compliant
- CDMA 1xEV-DO Compliant

## APPLICATIONS

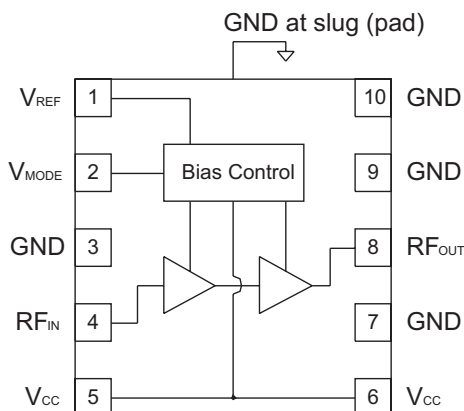
- Single Mode CDMA Wireless Handsets
- Dual Mode AMPS/CDMA Wireless Handsets
- Tri Mode CDMA Handsets with GPS



## PRODUCT DESCRIPTION

The AWT6130 provides the additional output power margin RF designers need to overcome additional post-PA insertion loss in tri-mode handset designs supporting E911 (GPS enabled). The device is manufactured on an advanced InGaP HBT MMIC technology offering state-of-the-art reliability, temperature stability, and ruggedness. Selectable

bias modes that optimize efficiency for different output power levels, and a shutdown mode with low leakage current, increase handset talk and standby time. The self-contained 4mm x 4mm surface mount package incorporates matching networks optimized for output power, efficiency, and linearity in a 50  $\Omega$  system.



**Figure 1: Block Diagram**

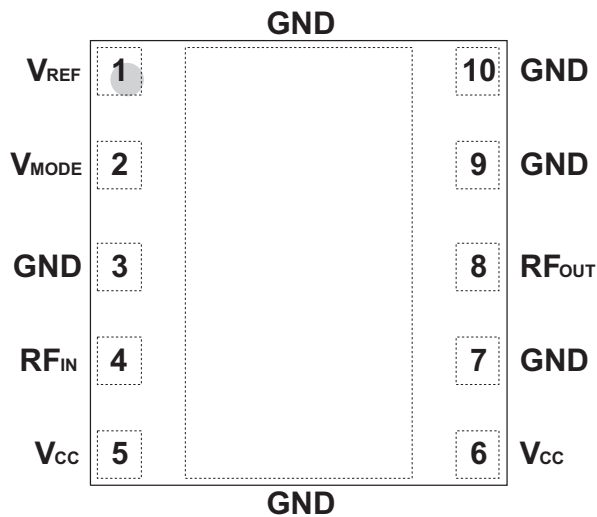


Figure 2: Pinout (X-ray Top View)

Table 1: Pin Description

PIN	NAME	DESCRIPTION
1	$V_{REF}$	Reference Voltage
2	$V_{MODE}$	Mode Control Voltage
3	GND	Ground
4	$RF_{IN}$	RF Input
5	$V_{CC}$	Supply Voltage
6	$V_{CC}$	Supply Voltage
7	GND	Ground
8	$RF_{OUT}$	RF Output
9	GND	Ground
10	GND	Ground

## ELECTRICAL CHARACTERISTICS

Table 2: Absolute Minimum and Maximum Ratings

PARAMETER	MIN	MAX	UNIT
Supply Voltage ( $V_{CC}$ )	0	+5	V
Mode Control Voltage ( $V_{MODE}$ )	0	+3.5	V
Reference Voltage ( $V_{REF}$ )	0	+3.5	V
RF Input Power ( $P_{IN}$ )	-	+10	dBm
Storage Temperature ( $T_{STG}$ )	-40	+150	°C

Stresses in excess of the absolute ratings may cause permanent damage. Functional operation is not implied under these conditions. Exposure to absolute ratings for extended periods of time may adversely affect reliability.

Table 3: Operating Ranges

PARAMETER	MIN	TYP	MAX	UNIT	COMMENTS
Operating Frequency (f)	824	-	849	MHz	
Supply Voltage ( $V_{CC}$ )	+3.2	+3.5	+4.2	V	
Reference Voltage ( $V_{REF}$ )	+2.8 0	+2.9 -	+3.1 +0.5	V	PA "on" PA "shut down"
Mode Control Voltage ( $V_{MODE}$ )	+2.5 0	+2.9 -	+3.1 +0.5	V	Low Bias Mode High Bias Mode
RF Output Power ( $P_{OUT}$ )	+31.5 +29.0	- -	- -	dBm	AMPS, $V_{CC} = +3.5$ V CDMA, $V_{CC} = +3.5$ V
Case Temperature ( $T_C$ )	-30	-	+85	°C	

The device may be operated safely over these conditions; however, parametric performance is guaranteed only over the conditions defined in the electrical specifications.

**Table 4: Electrical Specifications - AMPS Operation**  
 (T<sub>c</sub> = +25 °C, V<sub>CC</sub> = +3.5 V, V<sub>REF</sub> = +2.9 V, V<sub>MODE</sub> = +2.9 V, P<sub>OUT</sub> = +31.5 dBm, 50 Ω system)

PARAMETER	MIN	TYP	MAX	UNIT	COMMENTS
Gain	25.5	28	30	dB	
Gain Variation	-	0.3	1.0	dB	
Power-Added Efficiency	44	48	-	%	
Quiescent Current (I <sub>q</sub> )	-	50	65	mA	
Reference Current	-	3	5	mA	through V <sub>REF</sub> pin
Mode Control Current	-	0.3	0.5	mA	through V <sub>MODE</sub> pin
Leakage Current	-	<1	5	μA	V <sub>CC</sub> = +4.2 V, V <sub>REF</sub> = 0 V V <sub>MODE</sub> = 0 V
Noise in Receive Band	-	-135	-133	dBm/Hz	869 MHz to 894 MHz
Harmonics 2fo 3fo, 4fo	- - -	-40 -50	-30 -30	dBc	
Input Impedance	-	-	2:1	VSWR	
Spurious Output Level (all spurious outputs)	-	-	-70	dBc	P <sub>OUT</sub> ≤ +31.5 dBm In-band load VSWR < 8:1 Out-of-band load VSWR < 10:1 Applies over all voltage and temperature operating ranges
Load mismatch stress with no permanent degradation or failure	8:1	-	-	VSWR	V <sub>CC</sub> = +5.0 V, P <sub>IN</sub> = +5 dBm Applies over full operating temperature range

**Table 5: Electrical Specifications - CDMA Operation**  
**(T<sub>C</sub> = +25 °C, V<sub>CC</sub> = +3.5 V, V<sub>REF</sub> = +2.9 V, 50 Ω system)**

PARAMETER	MIN	TYP	MAX	UNIT	COMMENTS
Gain	25.5 -	28 26	30 -	dB	P <sub>OUT</sub> = +29 dBm, V <sub>MODE</sub> = 0 V P <sub>OUT</sub> = +16 dBm, V <sub>MODE</sub> = +2.9 V
Adjacent Channel Power at ±885 kHz offset Primary Channel BW = 1.23 MHz Adjacent Channel BW = 30 kHz	- -	-50 -50	-46.5 -46.5	dBc	P <sub>OUT</sub> = +29 dBm, V <sub>MODE</sub> = 0 V P <sub>OUT</sub> = +16 dBm, V <sub>MODE</sub> = +2.9 V
Adjacent Channel Power at ±1.98 MHz offset Primary Channel BW = 1.23 MHz Adjacent Channel BW = 30 kHz	- -	-59 -65	-56 -57	dBc	P <sub>OUT</sub> = +29 dBm, V <sub>MODE</sub> = 0 V P <sub>OUT</sub> = +16 dBm, V <sub>MODE</sub> = +2.9 V
Power-Added Efficiency	34 6.5	37.5 7.5	- -	%	P <sub>OUT</sub> = +29 dBm, V <sub>MODE</sub> = 0 V P <sub>OUT</sub> = +16 dBm, V <sub>MODE</sub> = +2.9 V
Quiescent Current (I <sub>q</sub> )	-	50	65	mA	V <sub>MODE</sub> = +2.9 V
Reference Current	-	3	5	mA	through V <sub>REF</sub> pin
Mode Control Current	-	0.3	0.5	mA	through V <sub>MODE</sub> pin
Leakage Current	-	<1	5	μA	V <sub>CC</sub> = +4.2 V, V <sub>REF</sub> = 0 V V <sub>MODE</sub> = 0 V
Noise in Receive Band	-	-135	-133	dBm/Hz	869 MHz to 894 MHz
Harmonics 2fo 3fo, 4fo	- -	-40 -50	-30 -30	dBc	
Input Impedance	-	-	2:1	VSWR	
Spurious Output Level (all spurious outputs)	-	-	-70	dBc	P <sub>OUT</sub> ≤ +29 dBm In-band load VSWR < 8:1 Out-of-band load VSWR < 10:1 Applies over all voltage and temperature operating ranges
Load mismatch stress with no permanent degradation or failure	8:1	-	-	VSWR	V <sub>CC</sub> = +5.0 V, P <sub>IN</sub> = +5 dBm Applies over full operating temperature range

**APPLICATION INFORMATION**

To ensure proper performance, refer to all related Application Notes on the ANADIGICS web site: <http://www.anadigics.com>

**Shutdown Mode**

The power amplifier may be placed in a shutdown mode by applying logic low levels (see Operating Ranges table) to both the  $V_{REF}$  and  $V_{MODE}$  voltages.

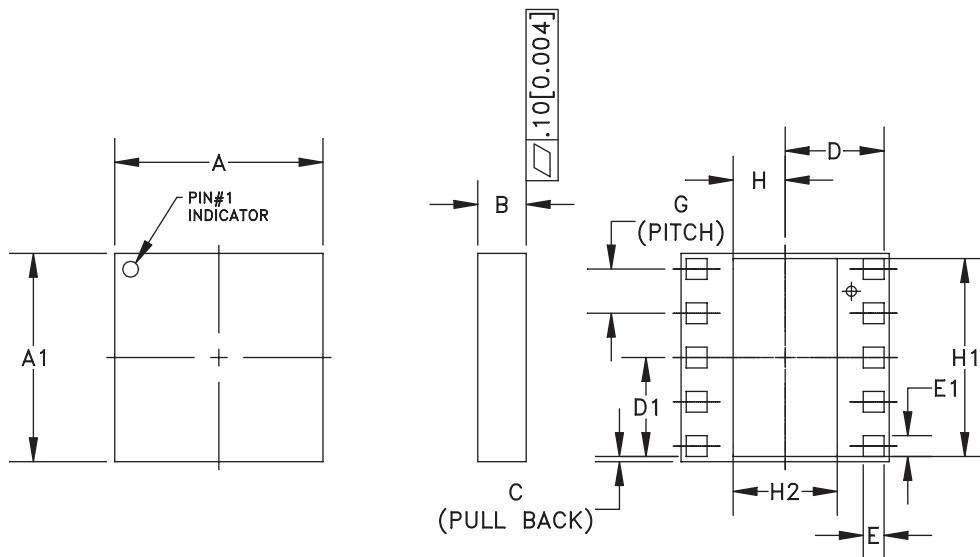
**Bias Modes**

The power amplifier may be placed in either a Low Bias mode or a High Bias mode by applying the appropriate logic level (see Operating Ranges table) to the  $V_{MODE}$  voltage. The Bias Control table lists the recommended modes of operation for various applications.

**Table 6: Bias Control**

<b>APPLICATION</b>	<b>P<sub>OUT</sub> LEVELS</b>	<b>BIAS MODE</b>	<b>V<sub>REF</sub></b>	<b>V<sub>MODE</sub></b>
AMPS	(all)	Low	+2.9 V	+2.9 V
CDMA - low power	≤+16dBm	Low	+2.9 V	+2.9 V
CDMA - high power	>+16 dBm	High	+2.9 V	0 V
Shutdown	-	Shutdown	0 V	0 V

## PACKAGE OUTLINE



SWD	MILLIMETERS			INCHES			NOTE
	MIN.	NOM.	MAX.	MIN.	NOM.	MAX.	
A	3.88	4.00	4.12	0.152	0.157	0.162	—
A1	3.88	4.00	4.12	0.152	0.157	0.162	—
B	1.26	1.41	1.56	0.049	0.055	0.061	—
C	—	0.10	—	—	0.004	—	—
D	—	1.90	—	—	0.075	—	—
D1	—	1.90	—	—	0.075	—	—
E	0.35	0.40	0.45	0.013	0.015	0.017	—
E1	0.35	0.40	0.45	0.013	0.015	0.017	—
G	0.85 BSC			0.033 BSC			—
H	—	1.00	—	—	0.039	—	—
H1	—	3.80	—	—	0.149	—	—
H2	—	2.00	—	—	0.078	—	—

## NOTES:

1. CONTROLLING DIMENSIONS: MILLIMETERS
2. UNLESS SPECIFIED TOLERANCE=±0.076[0.003].
3. REFERENCE ONLY.

Figure 3: M7 Package Outline - 10 Pin 4mm x 4mm Surface Mount Module



**ANADIGICS, Inc.**

141 Mount Bethel Road  
Warren, New Jersey 07059, U.S.A.

Tel: +1 (908) 668-5000

Fax: +1 (908) 668-5132

URL: <http://www.anadigics.com>

E-mail: [Mktg@anadigics.com](mailto:Mktg@anadigics.com)

**IMPORTANT NOTICE**

ANADIGICS, Inc. reserves the right to make changes to its products or to discontinue any product at any time without notice. The product specifications contained in Advanced Product Information sheets and Preliminary Data Sheets are subject to change prior to a product's formal introduction. Information in Data Sheets have been carefully checked and are assumed to be reliable; however, ANADIGICS assumes no responsibilities for inaccuracies. ANADIGICS strongly urges customers to verify that the information they are using is current before placing orders.

**WARNING**

ANADIGICS products are not intended for use in life support appliances, devices or systems. Use of an ANADIGICS product in any such application without written consent is prohibited.