

DATA SHEET

MKT 368/369

Metallized polyester film capacitors

Maintenance type
Supersedes data of April 1999
File under BCcomponents, BC05

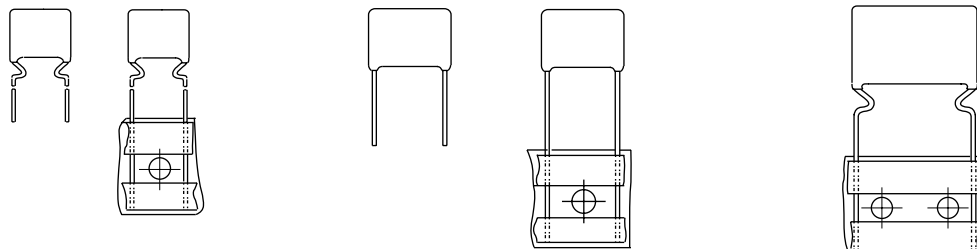
2000 Feb 01

Metallized polyester film capacitors

MKT 368/369

MKT RADIAL EPOXY LACQUERED TYPE

PITCH 10/15/22.5/27.5 mm



CBA924

Fig.1 Simplified outlines.

FEATURES

- Low-inductive wound cell of metallized (PETP) film
- Cell protected by epoxy lacquer
- Radial leads of solder-coated wire
- Resistant to solvents and rinsing liquids.

APPLICATIONS

- Blocking and coupling
- Bypass and energy reservoir.

DETAIL SPECIFICATION

For more detailed data and test requirements see "Type detail specification HQN-384-02/101".

QUICK REFERENCE DATA

DESCRIPTION	VALUE
Capacitance range (E12 series)	0.001 to 6.8 μ F
Capacitance tolerance	\pm 10%; \pm 5%
Rated (DC) voltage	63 V; 100 V; 250 V; 400 V; 630 V
Climatic category	55/100/56
Rated temperature	85 $^{\circ}$ C
Maximum application temperature	100 $^{\circ}$ C
Tangent of loss angle at 10 kHz	100×10^{-4}
Reference specification	IEC 60384-2
Performance grade	grade 1 (long life)

Metallized polyester film capacitors

MKT 368/369

COMPOSITION OF CATALOGUE NUMBER

TYPE AND PITCHES	
368	10.0 mm
	15.0 mm
	22.5 mm
	27.5 mm
369	10.0 mm

CAPACITANCE
(numerically)

MULTIPLIER (nF)	
0.1	2
1	3
10	4
100	5

Example:
104 = 10 x 10 = 100 nF

2222 36. XX XX X

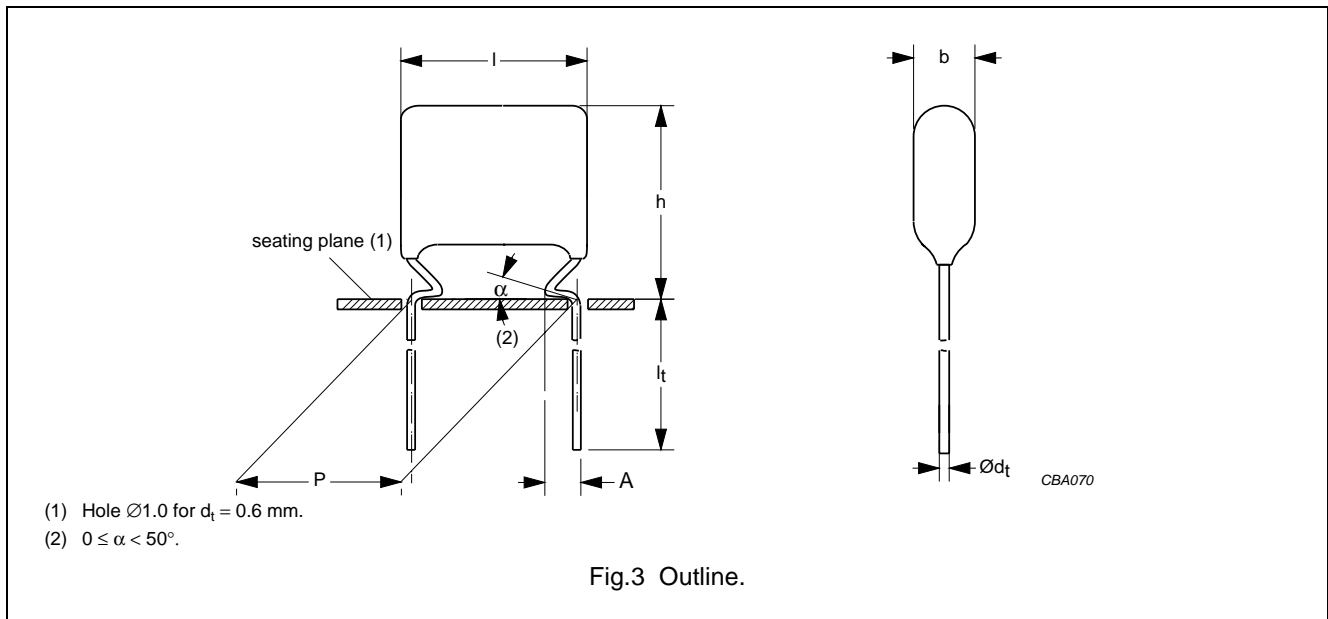
TYPE	PACKAGING	LEAD CONFIGURATION	C-TOL	63 V	100 V	250 V	400 V	630 V
368	loose in box	lead length 4.0 mm	±10%	15	25	45	55	65
			±5%	16	26	46	56	66
		lead length 3.5 mm	±10%	13	23	43	53	63
			±5%	17	27	47	57	67
		long leads	±10%	11	21	41	51	61
			±5%	12	22	42	52	62
368	taped on reel	H = 16.0 mm	±10%	18	28	48	58	68
			±5%	19	29	49	59	69
		lead length 4.0 mm	±10%	15	25	45	55	65
			±5%	16	26	46	56	66
369	loose in box	lead length 4.0 mm	±10%	15	25	45	55	65
			±5%	16	26	46	56	66
		lead length 22.0 mm	±10%	11	21	41	51	61
			±5%	12	22	42	52	62
369	taped on reel	H = 18.5 mm	±10%	18	28	48	58	68
			±5%	19	29	49	59	69

Metallized polyester film capacitors

MKT 368

MKT 368 GENERAL DATA

PITCH 10 mm



Specific reference data for the 63 V DC capacitors

DESCRIPTION	VALUE		
	at 1 kHz	at 10 kHz	at 100 kHz
Tangent of loss angle: $0.1 \mu\text{F} < C \leq 0.47 \mu\text{F}$ $0.47 \mu\text{F} < C \leq 1.0 \mu\text{F}$	$\leq 75 \times 10^{-4}$ $\leq 75 \times 10^{-4}$	$\leq 130 \times 10^{-4}$ $\leq 130 \times 10^{-4}$	$\leq 300 \times 10^{-4}$ -
Rated voltage pulse slope (dU/dt)R at 63 V (DC)	30 V/ μs		
R between leads, for $C \leq 0.33 \mu\text{F}$ at 10 V; 1 minute	>15000 M Ω		
RC between leads, for $C > 0.33 \mu\text{F}$ at 10 V; 1 minute	>5000 s		
R between interconnecting leads and casing; 10 V; 1 minute	>30000 M Ω		
Withstanding (DC) voltage (cut off current 10 mA); rise time 100 V/s	100 V; 1 minute		
Withstanding (AC) voltage between leads and case	200 V; 1 minute		

Available 63 V DC versions

PACKAGING ⁽¹⁾	DIMENSIONS	C-tol	FIRST 9 DIGITS OF CATALOGUE NUMBER	ORDERING
Loose in box	$l_t = 4.0 +1.0/-0.5$ mm	$\pm 10\%$	2222 368 15...	on request
		$\pm 5\%$	2222 368 16...	on request
	$l_t = 3.5 \pm 0.5$ mm	$\pm 10\%$	2222 368 13...	on request
		$\pm 5\%$	2222 368 17...	on request
	$l_t = 19.0 \pm 4.0$ mm	$\pm 10\%$	2222 368 11...	on request
		$\pm 5\%$	2222 368 12...	on request
Taped on reel	H = 16.0 mm; note 2	$\pm 10\%$	2222 368 18...	on request
		$\pm 5\%$	2222 368 19...	on request

Notes

- For SPQ refer to this handbook, chapter "Packaging information".
- H = in-tape height; for detailed specifications refer to this handbook, chapter "Packaging information".

Metallized polyester film capacitors

MKT 368

 $U_{Rdc} = 63 \text{ V}$; $U_{Rac} = 40 \text{ V}$

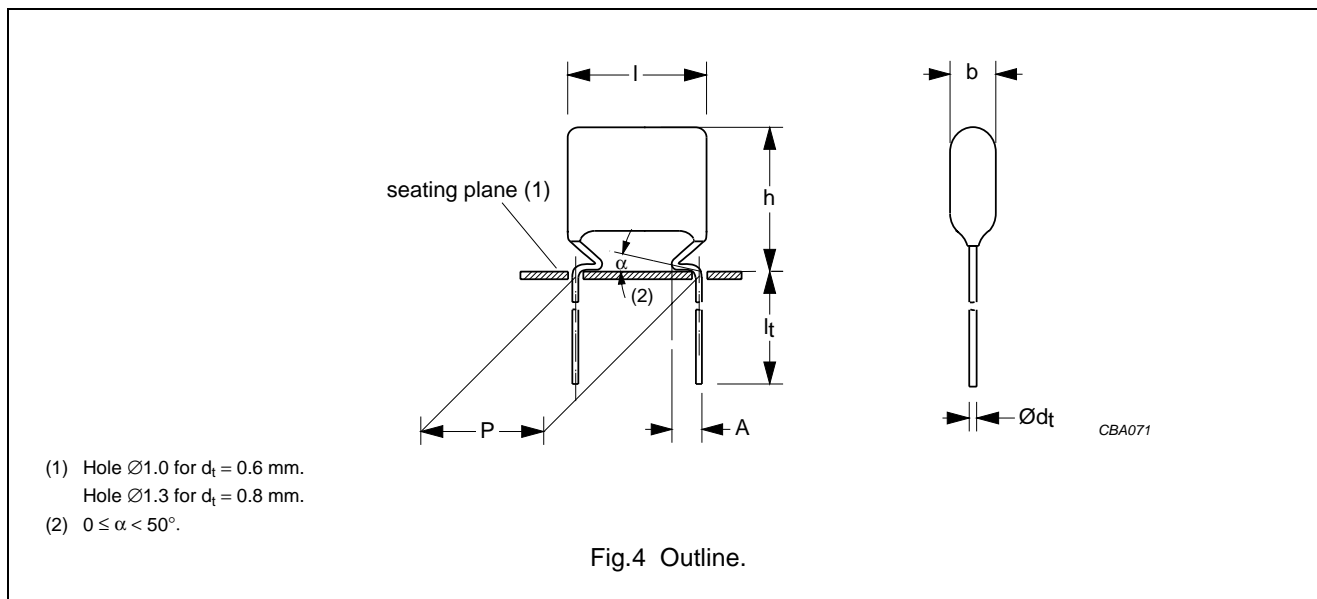
C (μF)	DIMENSIONS $b_{\max} \times h_{\max} \times l_{\max}$ (mm)	MASS (g)	CATALOGUE NUMBER
			LOOSE IN BOX
			$l_t = 4.0 +1.0/-0.5 \text{ mm}$
			C-tol = $\pm 10\%$
Pitch = $10.0 \pm 0.4 \text{ mm}$; $d_t = 0.60 \pm 0.06 \text{ mm}$; $A = 2.0 +1.0/-0.5 \text{ mm}$			
0.22	$4.2 \times 13.2 \times 12.5$	0.5	2222 368 15224
0.27	$4.0 \times 12.8 \times 12.5$	0.5	2222 368 15274
0.33	$4.3 \times 13.1 \times 12.5$	0.5	2222 368 15334
0.39	$4.2 \times 12.9 \times 12.5$	0.5	2222 368 15394
0.47	$4.3 \times 13.4 \times 12.5$	0.5	2222 368 15474
0.56	$4.7 \times 13.7 \times 12.5$	0.5	2222 368 15564
0.68	$5.1 \times 14.1 \times 12.5$	0.6	2222 368 15684
0.82	$5.5 \times 14.5 \times 12.5$	0.6	2222 368 15824
1	$6.0 \times 15.0 \times 12.5$	0.8	2222 368 15105

Metallized polyester film capacitors

MKT 368

MKT 368 GENERAL DATA

PITCH 10/15 mm



Specific reference data for the 100 V DC capacitors

DESCRIPTION	VALUE		
	at 1 kHz	at 10 kHz	at 100 kHz
Tangent of loss angle: $C \leq 0.1 \mu\text{F}$ $0.1 \mu\text{F} < C \leq 0.47 \mu\text{F}$ $0.47 \mu\text{F} < C \leq 1.0 \mu\text{F}$	$\leq 75 \times 10^{-4}$ $\leq 75 \times 10^{-4}$ $\leq 75 \times 10^{-4}$	$\leq 130 \times 10^{-4}$ $\leq 130 \times 10^{-4}$ $\leq 130 \times 10^{-4}$	$\leq 225 \times 10^{-4}$ $\leq 300 \times 10^{-4}$ -
Rated voltage pulse slope $(dU/dt)_R$ at 100 V (DC): P = 10 mm P = 15 mm	28 V/ μs 20 V/ μs		
R between leads, for $C \leq 0.33 \mu\text{F}$ at 10 V; 1 minute	$> 15000 \text{ M}\Omega$		
RC between leads, for $C > 0.33 \mu\text{F}$ at 100 V; 1 minute	$> 5000 \text{ s}$		
R between interconnecting leads and casing; 100 V; 1 minute	$> 30000 \text{ M}\Omega$		
Withstanding (DC) voltage (cut off current 10 mA); rise time 100 V/s	160 V; 1 minute		
Withstanding (AC) voltage between leads and case	200 V; 1 minute		

Available 100 V DC versions

PACKAGING ⁽¹⁾	DIMENSIONS	C-tol	FIRST 9 DIGITS OF CATALOGUE NUMBER	ORDERING
Loose in box	$l_t = 4.0 +1.0/-0.5$ mm	$\pm 10\%$	2222 368 25...	on request
		$\pm 5\%$	2222 368 26...	on request
	$l_t = 3.5 \pm 0.5$ mm	$\pm 10\%$	2222 368 23...	on request
		$\pm 5\%$	2222 368 27...	on request
	$l_t = 19.0 \pm 4.0$ mm	$\pm 10\%$	2222 368 21...	on request
		$\pm 5\%$	2222 368 22...	on request
Taped on reel	H = 16.0 mm; note 2	$\pm 10\%$	2222 368 28...	on request
		$\pm 5\%$	2222 368 29...	on request

Notes

- For SPQ refer to this handbook, chapter "Packaging information".
- H = in-tape height; for detailed specifications refer to this handbook, chapter "Packaging information".

Metallized polyester film capacitors

MKT 368

 $U_{Rdc} = 100 \text{ V}$; $U_{Rac} = 63 \text{ V}$

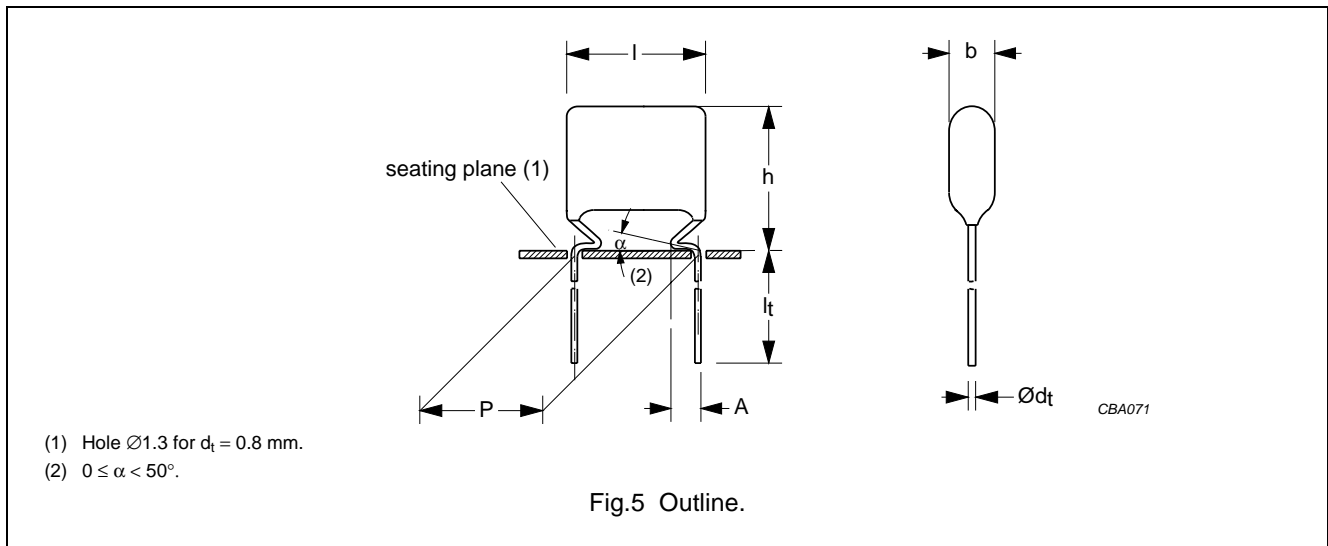
C (μF)	DIMENSIONS $b_{\text{max}} \times h_{\text{max}} \times l_{\text{max}}$ (mm)	MASS (g)	CATALOGUE NUMBER
			LOOSE IN BOX
			$l_t = 4.0 +1.0/-0.5 \text{ mm}$
			C-tol = $\pm 10\%$
Pitch = $10.0 \pm 0.4 \text{ mm}$; $d_t = 0.60 \pm 0.06 \text{ mm}$; $A = 2.0 +1.0/-0.5 \text{ mm}$			
0.056	4.0 × 13.0 × 12.5	0.4	2222 368 25563
0.068			2222 368 25683
0.082	3.7 × 12.7 × 12.5	0.4	2222 368 25823
0.1	4.0 × 13.0 × 12.5	0.4	2222 368 25104
0.12	4.3 × 13.3 × 12.5	0.4	2222 368 25124
0.15	3.9 × 12.9 × 12.5	0.4	2222 368 25154
0.18	4.2 × 13.2 × 12.5	0.5	2222 368 25184
0.22	4.5 × 13.6 × 12.5	0.5	2222 368 25224
Pitch = $15.0 \pm 0.4 \text{ mm}$; $d_t = 0.80 \pm 0.08 \text{ mm}$; $A = 2.5 +1.4/-0.5 \text{ mm}$			
0.27	5.0 × 14.0 × 17.5	0.6	2222 368 25274
0.33			2222 368 25334
0.39			2222 368 25394
0.47	5.5 × 14.5 × 17.5	0.7	2222 368 25474
0.56			2222 368 25564
0.68	6.0 × 15.0 × 17.5	0.9	2222 368 25684
0.82	6.5 × 15.5 × 17.5	1.0	2222 368 25824
1	7.5 × 16.5 × 17.5	1.3	2222 368 25105

Metallized polyester film capacitors

MKT 368

MKT 368 GENERAL DATA

PITCH 22.5/27.5 mm



Specific reference data for the 100 V DC capacitors

DESCRIPTION	VALUE	
	at 1 kHz	at 10 kHz
Tangent of loss angle: $C > 1.0 \mu\text{F}$	$\leq 75 \times 10^{-4}$	$\leq 150 \times 10^{-4}$
Rated voltage pulse slope $(dU/dt)_R$ at 100 V (DC): $P = 22.5$ mm $P = 27.5$ mm	8 V/ μs 7 V/ μs	
R between leads, for $C \leq 0.33 \mu\text{F}$ at 10 V; 1 minute	$> 15000 \text{ M}\Omega$	
RC between leads, for $C > 0.33 \mu\text{F}$ at 100 V; 1 minute	> 5000 s	
R between interconnecting leads and casing; 100 V; 1 minute	$> 30000 \text{ M}\Omega$	
Withstanding (DC) voltage (cut off current 10 mA); rise time 100 V/s	100 V; 1 minute	
Withstanding (AC) voltage between leads and case	200 V; 1 minute	

Available 100 V DC versions

PACKAGING ⁽¹⁾	DIMENSIONS	C-tol	FIRST 9 DIGITS OF CATALOGUE NUMBER	ORDERING
Loose in box	$l_t = 4.0 +1.0/-0.5$ mm	$\pm 10\%$	2222 368 25...	on request
		$\pm 5\%$	2222 368 26...	on request
	$l_t = 3.5 \pm 0.5$ mm	$\pm 10\%$	2222 368 23...	on request
		$\pm 5\%$	2222 368 27...	on request
	long leads; note 2	$\pm 10\%$	2222 368 21...	on request
		$\pm 5\%$	2222 368 22...	on request
Taped on reel	$H = 16.0$ mm; note 3	$\pm 10\%$	2222 368 28...	on request
		$\pm 5\%$	2222 368 29...	on request

Notes

- For SPQ refer to this handbook, chapter "Packaging information"; taped on reel pitch = 27.5 mm is not available.
- Length of long leads:
 - $l_t = 25.0 \pm 4.0$ mm for lead pitch 22.5 mm.
 - $l_t = 24.0 \pm 4.0$ mm for lead pitch 27.5 mm.
- H = in-tape height; for detailed specifications refer to this handbook, chapter "Packaging information".

Metallized polyester film capacitors

MKT 368

 $U_{Rdc} = 100 \text{ V}$; $U_{Rac} = 63 \text{ V}$

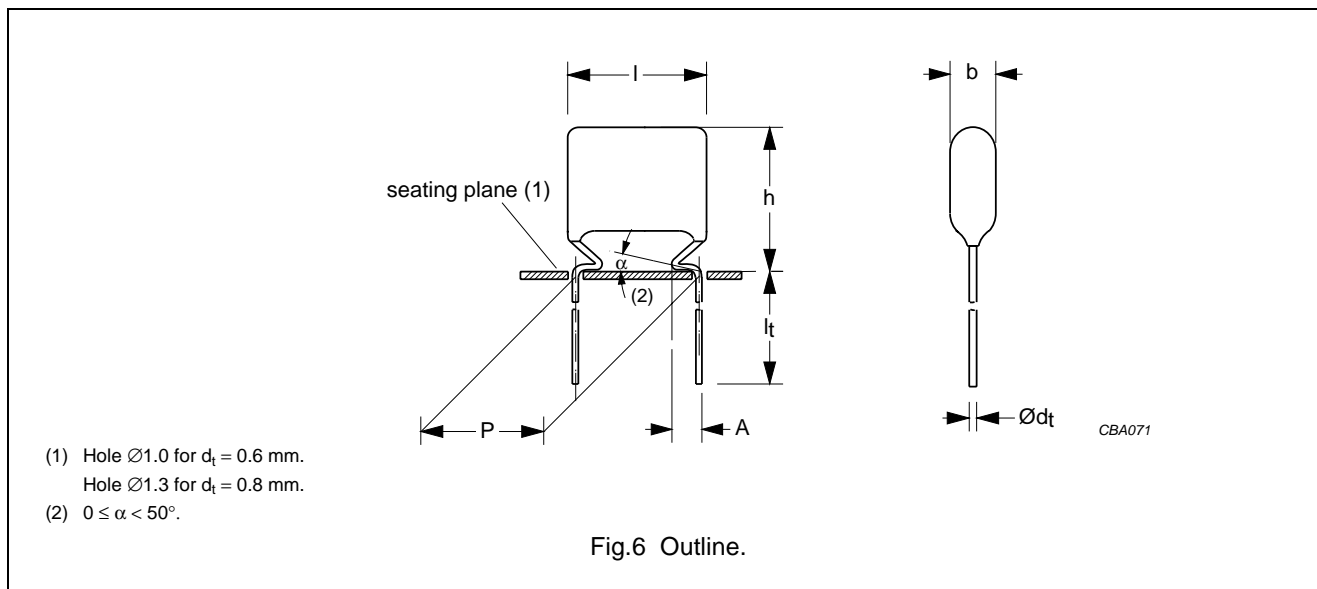
C (μF)	DIMENSIONS $b_{\text{max}} \times h_{\text{max}} \times l_{\text{max}}$ (mm)	MASS (g)	CATALOGUE NUMBER
			LOOSE IN BOX
			$l_t = 4.0 +1.0/-0.5 \text{ mm}$
			C-tol = $\pm 10\%$
Pitch = $22.5 \pm 0.4 \text{ mm}$; $d_t = 0.80 \pm 0.08 \text{ mm}$; $A = 2.5 +1.4/-0.5 \text{ mm}$			
1.2	6.0 × 18.0 × 26.0	2.5	2222 368 25125
1.5			2222 368 25155
1.8	7.0 × 19.0 × 26.0	3.2	2222 368 25185
2.2	7.5 × 19.5 × 26.0	3.5	2222 368 25225
2.7	8.5 × 21.5 × 26.0	4.1	2222 368 25275
3.3	9.0 × 22.0 × 26.0	4.5	2222 368 25335
Pitch = $27.5 \pm 0.4 \text{ mm}$; $d_t = 0.80 \pm 0.08 \text{ mm}$; $A = 2.5 +1.4/-0.5 \text{ mm}$			
3.9	9.0 × 22.0 × 30.0	4.8	2222 368 25395
4.7	10.0 × 23.0 × 30.0	5.5	2222 368 25475
5.6	11.0 × 24.0 × 30.0	6.2	2222 368 25565
6.8	12.0 × 25.0 × 30.0	6.8	2222 368 25685

Metallized polyester film capacitors

MKT 368

MKT 368 GENERAL DATA

PITCH 10/15 mm



Specific reference data for the 250 V DC capacitors

DESCRIPTION	VALUE		
	at 1 kHz	at 10 kHz	at 100 kHz
Tangent of loss angle: $C \leq 0.1 \mu\text{F}$ $0.1 \mu\text{F} < C \leq 0.33 \mu\text{F}$	$\leq 75 \times 10^{-4}$ $\leq 75 \times 10^{-4}$	$\leq 130 \times 10^{-4}$ $\leq 130 \times 10^{-4}$	$\leq 225 \times 10^{-4}$ $\leq 300 \times 10^{-4}$
Rated voltage pulse slope $(dU/dt)_R$ at 250 V (DC): $P = 10$ mm $P = 15$ mm	70 V/ μs 28 V/ μs		
R between leads, for $C \leq 0.33 \mu\text{F}$ at 100 V; 1 minute	$> 30000 \text{ M}\Omega$		
RC between leads, for $C > 0.33 \mu\text{F}$ at 100 V; 1 minute	$> 10000 \text{ s}$		
R between interconnecting leads and casing; 100 V; 1 minute	$> 30000 \text{ M}\Omega$		
Withstanding (DC) voltage (cut off current 10 mA); rise time 100 V/s	400 V; 1 minute		
Withstanding (AC) voltage between leads and case	500 V; 1 minute		

Available 250 V DC versions

PACKAGING ⁽¹⁾	DIMENSIONS	C-tol	FIRST 9 DIGITS OF CATALOGUE NUMBER	ORDERING
Loose in box	$l_t = 4.0 +1.0/-0.5$ mm	$\pm 10\%$	2222 368 45...	on request
		$\pm 5\%$	2222 368 46...	on request
	$l_t = 3.5 \pm 0.5$ mm	$\pm 10\%$	2222 368 43...	on request
		$\pm 5\%$	2222 368 47...	on request
	$l_t = 19.0 \pm 4.0$ mm	$\pm 10\%$	2222 368 41...	on request
		$\pm 5\%$	2222 368 42...	on request
Taped on reel	H = 16 mm; note 2	$\pm 10\%$	2222 368 48...	on request
		$\pm 5\%$	2222 368 49...	on request

Notes

- For SPQ refer to this handbook, chapter "Packaging information".
- H = in-tape height; for detailed specifications refer to this handbook, chapter "Packaging information".

Metallized polyester film capacitors

MKT 368

 $U_{Rdc} = 250 \text{ V}$; $U_{Rac} = 160 \text{ V}$

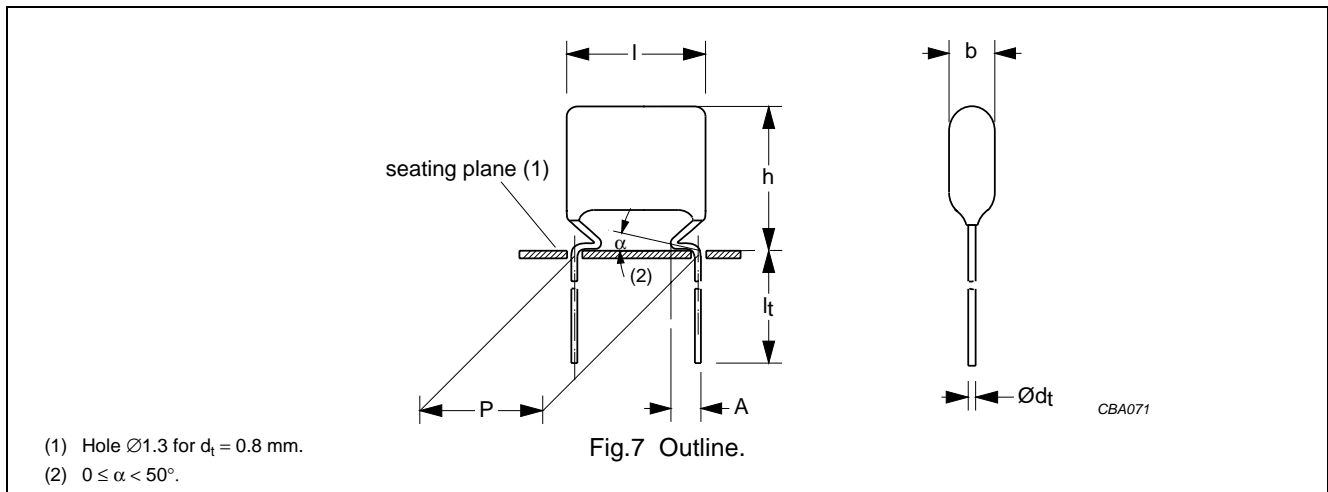
C (μF)	DIMENSIONS $b_{\max} \times h_{\max} \times l_{\max}$ (mm)	MASS (g)	CATALOGUE NUMBER
			LOOSE IN BOX
			$l_t = 4.0 +1.0/-0.5 \text{ mm}$
			C-tol = $\pm 10\%$
Pitch = $10.0 \pm 0.4 \text{ mm}$; $d_t = 0.60 \pm 0.06 \text{ mm}$; $A = 2.0 +1.0/-0.5 \text{ mm}$			
0.027	4.0 × 13.0 × 12.5	0.4	2222 368 45273
0.033			2222 368 45333
0.039			2222 368 45393
0.047	4.5 × 13.5 × 12.5	0.5	2222 368 45473
0.056	4.6 × 13.5 × 12.5	0.5	2222 368 45563
0.068			2222 368 45683
0.082	4.4 × 13.4 × 12.5	0.5	2222 368 45823
0.1	4.7 × 13.7 × 12.5	0.5	2222 368 45104
Pitch = $15.0 \pm 0.4 \text{ mm}$; $d_t = 0.80 \pm 0.08 \text{ mm}$; $A = 2.5 +1.4/-0.5 \text{ mm}$			
0.12	5.0 × 14.0 × 17.5	0.6	2222 368 45124
0.15			2222 368 45154
0.18	5.5 × 14.5 × 17.5	0.7	2222 368 45184
0.22	6.0 × 15.0 × 17.5	0.9	2222 368 45224
0.27	6.0 × 15.5 × 17.5	1.0	2222 368 45274
0.33	6.8 × 16.0 × 17.5	1.2	2222 368 45334

Metallized polyester film capacitors

MKT 368

MKT 368 GENERAL DATA

PITCH 22.5/27.5 mm



Specific reference data for the 250 V DC capacitors

DESCRIPTION	VALUE		
	at 1 kHz	at 10 kHz	at 100 kHz
Tangent of loss angle: $0.33 \mu\text{F} < C \leq 0.47 \mu\text{F}$ $0.47 \mu\text{F} < C \leq 1.0 \mu\text{F}$ $C > 1.0 \mu\text{F}$	$\leq 75 \times 10^{-4}$ $\leq 75 \times 10^{-4}$ $\leq 75 \times 10^{-4}$	$\leq 130 \times 10^{-4}$ $\leq 130 \times 10^{-4}$ $\leq 150 \times 10^{-4}$	$\leq 300 \times 10^{-4}$ – –
Rated voltage pulse slope $(dU/dt)_R$ at 250 V (DC): $P = 22.5$ mm $P = 27.5$ mm	12 V/ μs 10 V/ μs		
R between leads, for $C \leq 0.33 \mu\text{F}$ at 100 V; 1 minute	$> 30000 \text{ M}\Omega$		
RC between leads, for $C > 0.33 \mu\text{F}$ at 100 V; 1 minute	> 10000 s		
R between interconnecting leads and casing; 100 V; 1 minute	$> 30000 \text{ M}\Omega$		
Withstanding (DC) voltage (cut off current 10 mA); rise time 100 V/s	400 V; 1 minute		
Withstanding (AC) voltage between leads and case	500 V; 1 minute		

Available 250 V DC versions

PACKAGING ⁽¹⁾	DIMENSIONS	C-tol	FIRST 9 DIGITS OF CATALOGUE NUMBER	ORDERING
Loose in box	$l_t = 4.0 +1.0/-0.5$ mm	$\pm 10\%$	2222 368 45...	on request
		$\pm 5\%$	2222 368 46...	on request
	$l_t = 3.5 \pm 0.5$ mm	$\pm 10\%$	2222 368 43...	on request
		$\pm 5\%$	2222 368 47...	on request
	long leads; note 2	$\pm 10\%$	2222 368 41...	on request
		$\pm 5\%$	2222 368 42...	on request
Taped on reel	$H = 16$ mm; note 3	$\pm 10\%$	2222 368 48...	on request
		$\pm 5\%$	2222 368 49...	on request

Notes

- For SPQ refer to this handbook, chapter "Packaging information"; taped on reel pitch = 27.5 mm is not available.
- Length of long leads:
 - $l_t = 25.0 \pm 4.0$ mm for lead pitch 22.5 mm.
 - $l_t = 24.0 \pm 4.0$ mm for lead pitch 27.5 mm.
- H = in-tape height; for detailed specifications refer to this handbook, chapter "Packaging information".

Metallized polyester film capacitors

MKT 368

 $U_{Rdc} = 250 \text{ V}$; $U_{Rac} = 160 \text{ V}$

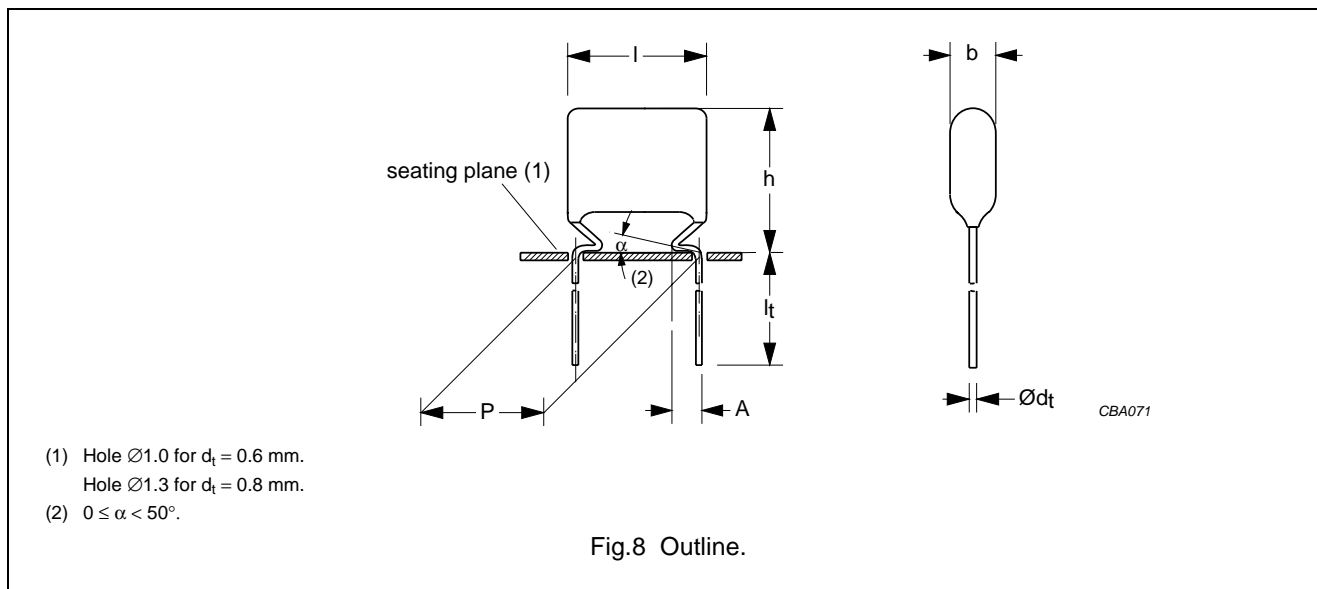
C (μF)	DIMENSIONS $b_{\max} \times h_{\max} \times l_{\max}$ (mm)	MASS (g)	CATALOGUE NUMBER
			LOOSE IN BOX
			$l_t = 4.0 +1.0/-0.5 \text{ mm}$
			C-tol = $\pm 10\%$
Pitch = $22.5 \pm 0.4 \text{ mm}$; $d_t = 0.80 \pm 0.08 \text{ mm}$; $A = 2.5 +1.4/-0.5 \text{ mm}$			
0.39	$5.0 \times 17.0 \times 26.0$	1.8	2222 368 45394
0.47	$5.5 \times 17.5 \times 26.0$	2.2	2222 368 45474
0.56	$6.0 \times 18.0 \times 26.0$	2.5	2222 368 45564
0.68	$6.6 \times 18.5 \times 26.0$	2.8	2222 368 45684
0.82	$7.2 \times 19.0 \times 26.0$	3.2	2222 368 45824
1	$8.0 \times 20.0 \times 26.0$	3.8	2222 368 45105
Pitch = $27.5 \pm 0.4 \text{ mm}$; $d_t = 0.80 \pm 0.08 \text{ mm}$; $A = 2.5 +1.4/-0.5 \text{ mm}$			
1.2	$8.0 \times 21.0 \times 30.0$	4.1	2222 368 45125
1.5	$9.0 \times 22.0 \times 30.0$	4.8	2222 368 45155
1.8	$10.0 \times 23.0 \times 30.0$	5.5	2222 368 45185
2.2	$11.0 \times 24.0 \times 30.0$	6.2	2222 368 45225

Metallized polyester film capacitors

MKT 368

MKT 368 GENERAL DATA

PITCH 10/15 mm



Specific reference data for the 400 V DC capacitors

DESCRIPTION	VALUE		
	at 1 kHz	at 10 kHz	at 100 kHz
Tangent of loss angle: $C \leq 0.1 \mu\text{F}$ $0.1 \mu\text{F} < C \leq 0.15 \mu\text{F}$	$\leq 75 \times 10^{-4}$ $\leq 75 \times 10^{-4}$	$\leq 130 \times 10^{-4}$ $\leq 130 \times 10^{-4}$	$\leq 225 \times 10^{-4}$ $\leq 300 \times 10^{-4}$
Rated voltage pulse slope $(dU/dt)_R$ at 400 V (DC): $P = 10$ mm $P = 15$ mm	110 V/ μs 44 V/ μs		
R between leads, for $C \leq 0.33 \mu\text{F}$ at 100 V; 1 minute	$> 30000 \text{ M}\Omega$		
RC between leads, for $C > 0.33 \mu\text{F}$ at 100 V; 1 minute	$> 10000 \text{ s}$		
R between interconnecting leads and casing; 100 V; 1 minute	$> 30000 \text{ M}\Omega$		
Withstanding (DC) voltage (cut off current 10 mA); rise time 100 V/s	640 V; 1 minute		
Withstanding (AC) voltage between leads and case	800 V; 1 minute		

Available 400 V DC versions

PACKAGING ⁽¹⁾	DIMENSIONS	C-tol	FIRST 9 DIGITS OF CATALOGUE NUMBER	ORDERING
Loose in box	$l_t = 4.0 +1.0/-0.5$ mm	$\pm 10\%$	2222 368 55...	on request
		$\pm 5\%$	2222 368 56...	on request
	$l_t = 3.5 \pm 0.5$ mm	$\pm 10\%$	2222 368 53...	on request
		$\pm 5\%$	2222 368 57...	on request
	$l_t = 19.0 \pm 4.0$ mm	$\pm 10\%$	2222 368 51...	on request
		$\pm 5\%$	2222 368 52...	on request
Taped on reel	H = 16 mm; note 2	$\pm 10\%$	2222 368 58...	on request
		$\pm 5\%$	2222 368 59...	on request

Notes

- For SPQ refer to this handbook, chapter "Packaging information".
- H = in-tape height; for detailed specifications refer to this handbook, chapter "Packaging information".

Metallized polyester film capacitors

MKT 368

 $U_{Rdc} = 400 \text{ V}$; $U_{Rac} = 220 \text{ V}$

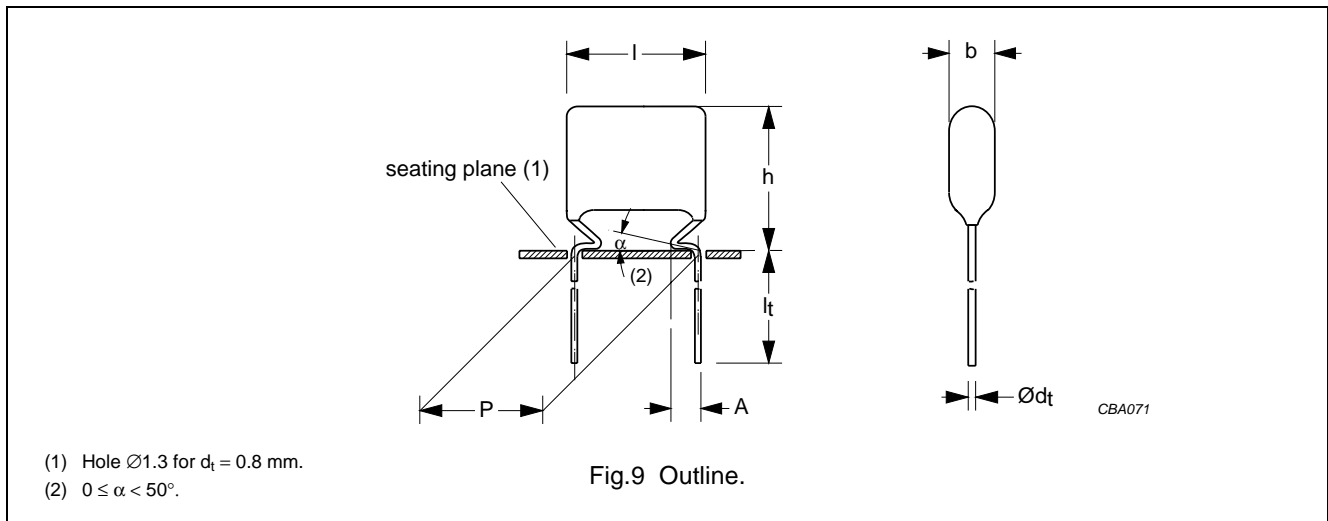
C (μF)	DIMENSIONS $b_{\max} \times h_{\max} \times l_{\max}$ (mm)	MASS (g)	CATALOGUE NUMBER
			LOOSE IN BOX
			$l_t = 4.0 +1.0/-0.5 \text{ mm}$
			C-tol = $\pm 10\%$
Pitch = $10.0 \pm 0.4 \text{ mm}$; $d_t = 0.60 \pm 0.06 \text{ mm}$; $A = 2.0 +1.0/-0.5 \text{ mm}$			
0.001	4.5 × 13.5 × 12.5	0.5	2222 368 55102
0.0012			2222 368 55122
0.0015			2222 368 55152
0.0018			2222 368 55182
0.0022	4.0 × 13.0 × 12.5	0.5	2222 368 55222
0.0027	4.3 × 13.3 × 12.5	0.5	2222 368 55272
0.0033	4.6 × 13.6 × 12.5	0.5	2222 368 55332
0.0039	4.0 × 13.0 × 12.5	0.5	2222 368 55392
0.0047	4.1 × 13.2 × 12.5	0.5	2222 368 55472
0.0056	4.6 × 13.6 × 12.5	0.5	2222 368 55562
0.0068			2222 368 55682
0.0082			2222 368 55822
0.01			2222 368 55103
0.012	4.0 × 13.0 × 12.5	0.5	2222 368 55123
0.015			2222 368 55153
0.018			2222 368 55183
0.022	4.0 × 12.9 × 12.5	0.5	2222 368 55223
0.027	4.2 × 13.2 × 12.5	0.5	2222 368 55273
0.033	4.6 × 13.7 × 12.5	0.5	2222 368 55333
Pitch = $15.0 \pm 0.4 \text{ mm}$; $d_t = 0.80 \pm 0.08 \text{ mm}$; $A = 2.5 +1.4/-0.5 \text{ mm}$			
0.039	5.0 × 13.9 × 17.5	0.6	2222 368 55393
0.047	5.4 × 14.5 × 17.5	0.7	2222 368 55473
0.056	5.0 × 13.7 × 17.5	0.6	2222 368 55563
0.068	5.0 × 13.5 × 17.5	0.6	2222 368 55683
0.082	4.8 × 14.0 × 17.5	0.6	2222 368 55823
0.1	5.3 × 14.5 × 17.5	0.7	2222 368 55104
0.12	5.7 × 15.0 × 17.5	0.9	2222 368 55124
0.15	6.4 × 15.5 × 17.5	1.0	2222 368 55154

Metalized polyester film capacitors

MKT 368

MKT 368 GENERAL DATA

PITCH 22.5/27.5 mm



Specific reference data for the 400 V DC capacitors

DESCRIPTION	VALUE		
	at 1 kHz	at 10 kHz	at 100 kHz
Tangent of loss angle: $0.15 \mu\text{F} < C \leq 0.47 \mu\text{F}$ $0.47 \mu\text{F} < C \leq 1.0 \mu\text{F}$	$\leq 75 \times 10^{-4}$ $\leq 75 \times 10^{-4}$	$\leq 130 \times 10^{-4}$ $\leq 130 \times 10^{-4}$	$\leq 300 \times 10^{-4}$ -
Rated voltage pulse slope $(dU/dt)_R$ at 400 V (DC): $P = 22.5$ mm $P = 27.5$ mm	20 V/ μs 16 V/ μs		
R between leads, for $C \leq 0.33 \mu\text{F}$ at 100 V; 1 minute	$> 30000 \text{ M}\Omega$		
RC between leads, for $C > 0.33 \mu\text{F}$ at 100 V; 1 minute	> 10000 s		
R between interconnecting leads and casing; 100 V; 1 minute	$> 30000 \text{ M}\Omega$		
Withstanding (DC) voltage (cut off current 10 mA); rise time 100 V/s	640 V; 1 minute		
Withstanding (AC) voltage between leads and case	800 V; 1 minute		

Available 400 V DC versions

PACKAGING ⁽¹⁾	DIMENSIONS	C-tol	FIRST 9 DIGITS OF CATALOGUE NUMBER	ORDERING
Loose in box	$l_t = 4.0 +1.0/-0.5$ mm	$\pm 10\%$	2222 368 55...	on request
		$\pm 5\%$	2222 368 56...	on request
	$l_t = 3.5 \pm 0.5$ mm	$\pm 10\%$	2222 368 53...	on request
		$\pm 5\%$	2222 368 57...	on request
	long leads; note 2	$\pm 10\%$	2222 368 51...	on request
		$\pm 5\%$	2222 368 52...	on request
Taped on reel	$H = 16$ mm; note 3	$\pm 10\%$	2222 368 58...	on request
		$\pm 5\%$	2222 368 59...	on request

Notes

- For SPQ refer to this handbook, chapter "Packaging information"; taped on reel pitch = 27.5 mm is not available.
- Length of long leads:
 - $l_t = 25.0 \pm 4.0$ mm for lead pitch 22.5 mm.
 - $l_t = 24.0 \pm 4.0$ mm for lead pitch 27.5 mm.
- H = in-tape height; for detailed specifications refer to this handbook, chapter "Packaging information".

Metallized polyester film capacitors

MKT 368

 $U_{Rdc} = 400 \text{ V}$; $U_{Rac} = 220 \text{ V}$

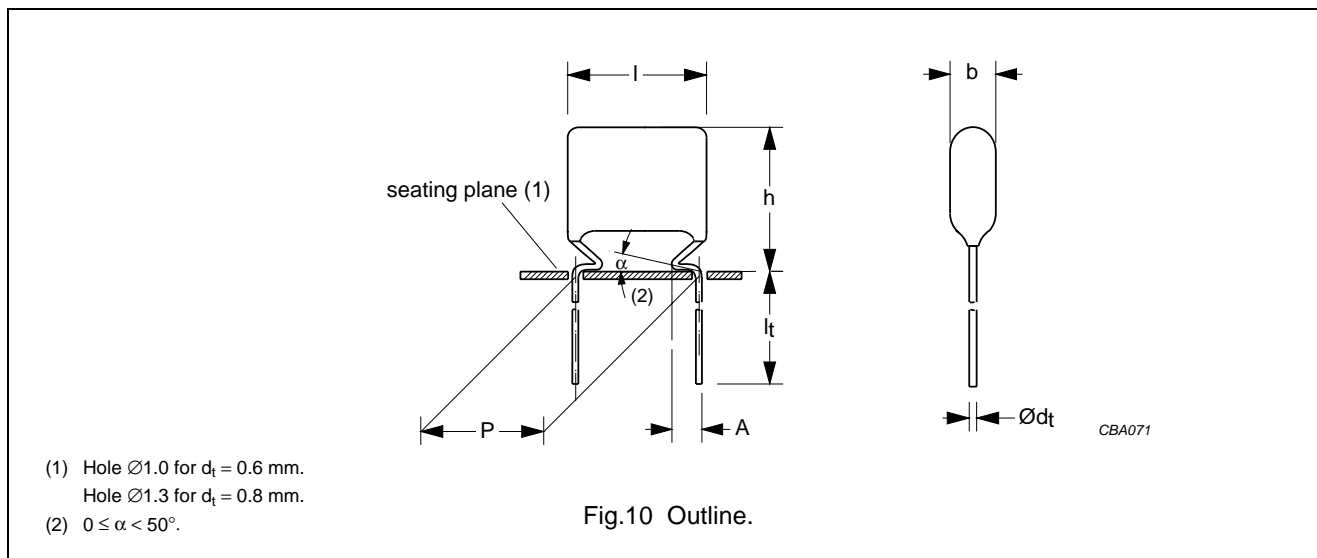
C (μF)	DIMENSIONS $b_{\max} \times h_{\max} \times l_{\max}$ (mm)	MASS (g)	CATALOGUE NUMBER
			LOOSE IN BOX
			$l_t = 4.0 +1.0/-0.5 \text{ mm}$
			C-tol = $\pm 10\%$
Pitch = $22.5 \pm 0.4 \text{ mm}$; $d_t = 0.80 \pm 0.08 \text{ mm}$; $A = 2.5 +1.4/-0.5 \text{ mm}$			
0.18	$5.6 \times 17.5 \times 26.0$	2.2	2222 368 55184
0.22	$6.3 \times 18.5 \times 26.0$	2.8	2222 368 55224
0.27	$6.0 \times 18.0 \times 26.0$	2.5	2222 368 55274
0.33	$6.4 \times 18.5 \times 26.0$	2.8	2222 368 55334
0.39	$7.1 \times 19.0 \times 26.0$	2.8	2222 368 55394
0.47	$8.0 \times 20.0 \times 26.0$	3.8	2222 368 55474
Pitch = $27.5 \pm 0.4 \text{ mm}$; $d_t = 0.80 \pm 0.08 \text{ mm}$; $A = 2.5 +1.4/-0.5 \text{ mm}$			
0.56	$7.5 \times 20.5 \times 30.0$	3.8	2222 368 55564
0.68	$8.5 \times 21.5 \times 30.0$	4.5	2222 368 55684
0.82	$9.5 \times 22.5 \times 30.0$	5.2	2222 368 55824
1	$10.5 \times 23.5 \times 30.0$	5.8	2222 368 55105

Metallized polyester film capacitors

MKT 368

MKT 368 GENERAL DATA

PITCH 10/15 mm



Specific reference data for the 630 V DC capacitors

DESCRIPTION	VALUE		
	at 1 kHz	at 10 kHz	at 100 kHz
Tangent of loss angle: $C \leq 0.068 \mu\text{F}$	$\leq 75 \times 10^{-4}$	$\leq 130 \times 10^{-4}$	$\leq 225 \times 10^{-4}$
Rated voltage pulse slope $(dU/dt)_R$ at 630 V (DC): $P = 10$ mm $P = 15$ mm	70 V/ μs 70 V/ μs		
R between leads, for $C \leq 0.33 \mu\text{F}$ at 500 V; 1 minute	$> 30000 \text{ M}\Omega$		
RC between leads, for $C > 0.33 \mu\text{F}$ at 500 V; 1 minute	$> 10000 \text{ s}$		
R between interconnecting leads and casing; 500 V; 1 minute	$> 30000 \text{ M}\Omega$		
Withstanding (DC) voltage (cut off current 10 mA); rise time 100 V/s	1008 V; 1 minute		
Withstanding (AC) voltage between leads and case	1260 V; 1 minute		

Available 630 V DC versions

PACKAGING ⁽¹⁾	DIMENSIONS	C-tol	FIRST 9 DIGITS OF CATALOGUE NUMBER	ORDERING
Loose in box	$l_t = 4.0 +1.0/-0.5$ mm	$\pm 10\%$	2222 368 65...	on request
		$\pm 5\%$	2222 368 66...	on request
	$l_t = 3.5 \pm 0.5$ mm	$\pm 10\%$	2222 368 63...	on request
		$\pm 5\%$	2222 368 67...	on request
	$l_t = 19.0 \pm 4.0$ mm	$\pm 10\%$	2222 368 61...	on request
		$\pm 5\%$	2222 368 62...	on request
Taped on reel	$H = 16$ mm; note 2	$\pm 10\%$	2222 368 68...	on request
		$\pm 5\%$	2222 368 69...	on request

Notes

- For SPQ refer to this handbook, chapter "Packaging information".
- H = in-tape height; for detailed specifications refer to this handbook, chapter "Packaging information".

Metallized polyester film capacitors

MKT 368

 $U_{Rdc} = 630 \text{ V}$; $U_{Rac} = 250 \text{ V}$

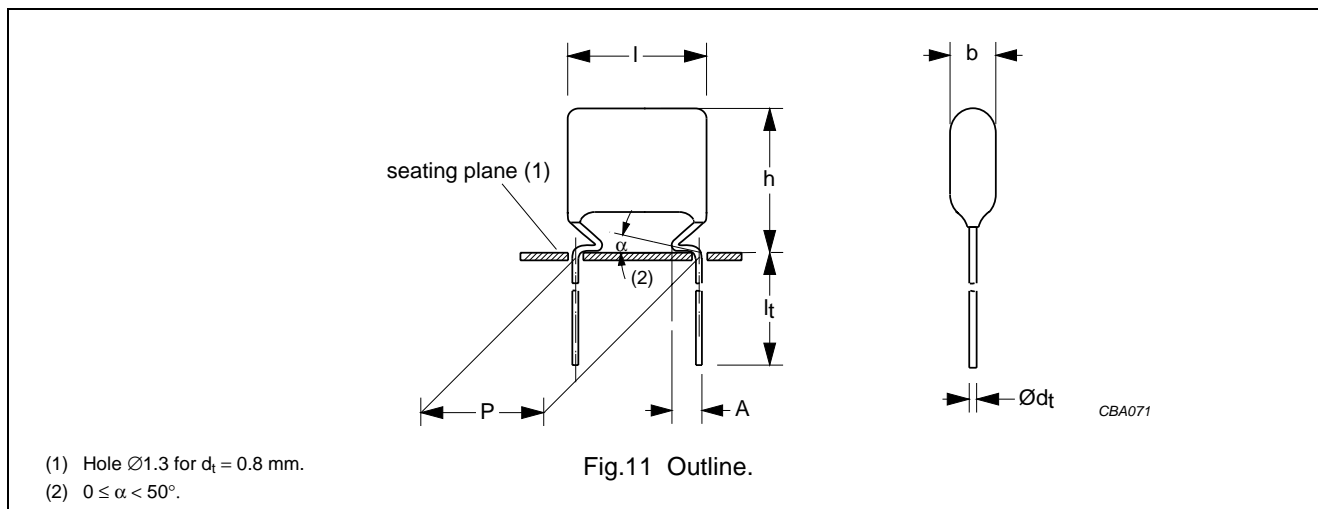
C (μF)	DIMENSIONS $b_{\max} \times h_{\max} \times l_{\max}$ (mm)	MASS (g)	CATALOGUE NUMBER
			LOOSE IN BOX
			$l_t = 4.0 +1.0/-0.5 \text{ mm}$
			C-tol = $\pm 10\%$
Pitch = $10.0 \pm 0.4 \text{ mm}$; $d_t = 0.60 \pm 0.06 \text{ mm}$; $A = 2.0 +1.0/-0.5 \text{ mm}$			
0.01	$4.3 \times 13.1 \times 12.5$	0.5	2222 368 65103
0.012	$4.6 \times 13.4 \times 12.5$	0.5	2222 368 65123
0.015	$4.9 \times 13.9 \times 12.5$	0.6	2222 368 65153
0.018	$5.3 \times 14.3 \times 12.5$	0.6	2222 368 65183
0.022	$5.9 \times 14.9 \times 12.5$	0.8	2222 368 65223
Pitch = $15.0 \pm 0.4 \text{ mm}$; $d_t = 0.80 \pm 0.08 \text{ mm}$; $A = 2.5 +1.4/-0.5 \text{ mm}$			
0.027	$5.5 \times 14.5 \times 17.5$	0.7	2222 368 65273
0.033	$6.0 \times 15.0 \times 17.5$	0.9	2222 368 65333
0.039	$6.3 \times 15.5 \times 17.5$	1.0	2222 368 65393
0.047	$7.0 \times 16.0 \times 17.5$	1.2	2222 368 65473
0.056	$7.5 \times 16.5 \times 17.5$	1.3	2222 368 65563
0.068	$8.0 \times 17.0 \times 17.5$	1.4	2222 368 65683

Metalized polyester film capacitors

MKT 368

MKT 368 GENERAL DATA

PITCH 22.5/27.5 mm



Specific reference data for the 630 V DC capacitors

DESCRIPTION	VALUE		
	at 1 kHz	at 10 kHz	at 100 kHz
Tangent of loss angle: $0.068 \mu\text{F} < C \leq 0.1 \mu\text{F}$ $0.1 \mu\text{F} < C \leq 0.47 \mu\text{F}$	$\leq 75 \times 10^{-4}$ $\leq 75 \times 10^{-4}$	$\leq 130 \times 10^{-4}$ $\leq 130 \times 10^{-4}$	$\leq 225 \times 10^{-4}$ $\leq 300 \times 10^{-4}$
Rated voltage pulse slope $(dU/dt)_R$ at 630 V (DC): P = 22.5 mm P = 27.5 mm	28 V/ μs 24 V/ μs		
R between leads, for $C \leq 0.33 \mu\text{F}$ at 500 V; 1 minute	$> 30000 \text{ M}\Omega$		
RC between leads, for $C > 0.33 \mu\text{F}$ at 500 V; 1 minute	$> 10000 \text{ s}$		
R between interconnecting leads and casing; 500 V; 1 minute	$> 30000 \text{ M}\Omega$		
Withstanding (DC) voltage (cut off current 10 mA); rise time 100 V/s	1008 V; 1 minute		
Withstanding (AC) voltage between leads and case	1260 V; 1 minute		

Available 630 V DC versions

PACKAGING ⁽¹⁾	DIMENSIONS	C-tol	FIRST 9 DIGITS OF CATALOGUE NUMBER	ORDERING
Loose in box	$l_t = 4.0 +1.0/-0.5$ mm	$\pm 10\%$	2222 368 65...	on request
		$\pm 5\%$	2222 368 66...	on request
	$l_t = 3.5 \pm 0.5$ mm	$\pm 10\%$	2222 368 63...	on request
		$\pm 5\%$	2222 368 67...	on request
	long leads; note 2	$\pm 10\%$	2222 368 61...	on request
		$\pm 5\%$	2222 368 62...	on request
Taped on reel	H = 16 mm; note 3	$\pm 10\%$	2222 368 68...	on request
		$\pm 5\%$	2222 368 69...	on request

Notes

- For SPQ refer to this handbook, chapter "Packaging information"; taped on reel pitch = 27.5 mm is not available.
- Length of long leads:
 - $l_t = 25.0 \pm 4.0$ mm for lead pitch 22.5 mm.
 - $l_t = 24.0 \pm 4.0$ mm for lead pitch 27.5 mm.
- H = in-tape height; for detailed specifications refer to this handbook, chapter "Packaging information".

Metallized polyester film capacitors

MKT 368

 $U_{Rdc} = 630 \text{ V}$; $U_{Rac} = 250 \text{ V}$

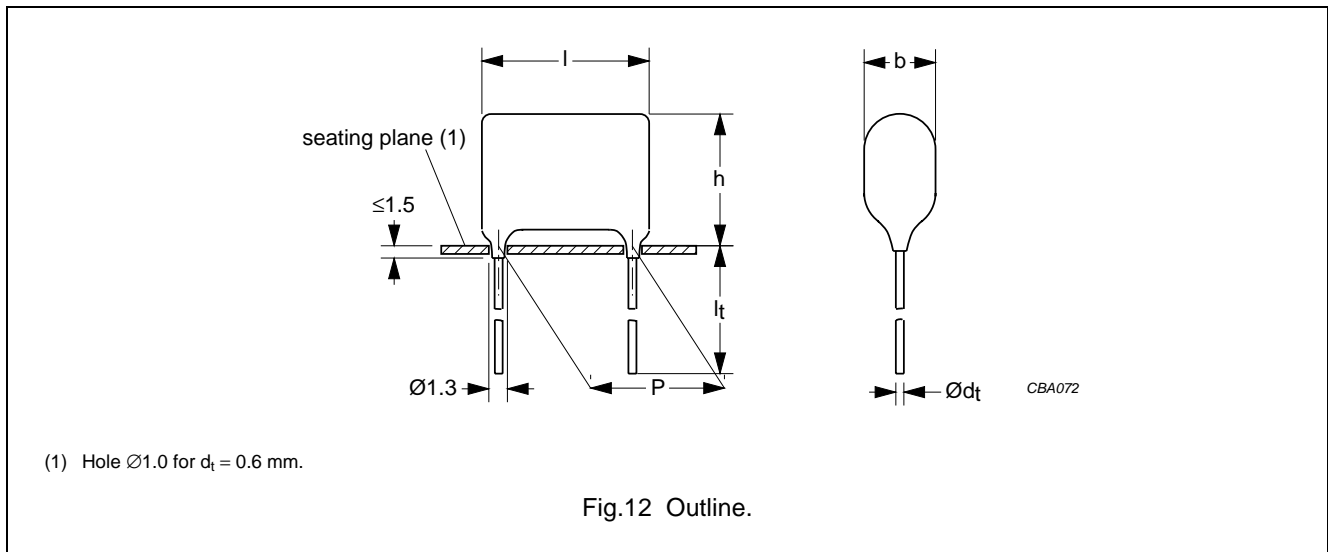
C (μF)	DIMENSIONS $b_{\max} \times h_{\max} \times l_{\max}$ (mm)	MASS (g)	CATALOGUE NUMBER
			LOOSE IN BOX
			$l_t = 4.0 +1.0/-0.5 \text{ mm}$
			C-tol = $\pm 10\%$
Pitch = $22.5 \pm 0.4 \text{ mm}$; $d_t = 0.80 \pm 0.08 \text{ mm}$; $A = 2.5 +1.4/-0.5 \text{ mm}$			
0.082	$6.1 \times 18.0 \times 26.0$	2.5	2222 368 65823
0.1	$7.0 \times 19.0 \times 26.0$	3.2	2222 368 65104
0.12	$7.2 \times 19.5 \times 26.0$	3.5	2222 368 65124
0.15	$8.0 \times 21.0 \times 26.0$	3.8	2222 368 65154
0.18	$9.0 \times 22.0 \times 26.0$	4.5	2222 368 65184
0.22	$10.0 \times 23.0 \times 26.0$	5.2	2222 368 65224
Pitch = $27.5 \pm 0.4 \text{ mm}$; $d_t = 0.80 \pm 0.08 \text{ mm}$; $A = 2.5 +1.4/-0.5 \text{ mm}$			
0.27	$10.0 \times 23.0 \times 30.0$	5.5	2222 368 65274
0.33	$11.5 \times 24.5 \times 30.0$	6.5	2222 368 65334
0.39	$12.5 \times 25.5 \times 30.0$	7.1	2222 368 65394
0.47	$14.0 \times 27.0 \times 30.0$	8.2	2222 368 65474

Metallized polyester film capacitors

MKT 369

MKT 369 GENERAL DATA

PITCH 10 mm



Specific reference data for the 63 V DC capacitors

DESCRIPTION	VALUE		
	at 1 kHz	at 10 kHz	at 100 kHz
Tangent of loss angle: 0.1 $\mu\text{F} < C \leq 0.47 \mu\text{F}$ 0.47 $\mu\text{F} < C \leq 1.0 \mu\text{F}$	$\leq 75 \times 10^{-4}$ $\leq 75 \times 10^{-4}$	$\leq 130 \times 10^{-4}$ $\leq 130 \times 10^{-4}$	$\leq 300 \times 10^{-4}$ -
Rated voltage pulse slope $(dU/dt)_R$ at 63 V (DC)	30 V/ μs		
R between leads, for $C \leq 0.33 \mu\text{F}$ at 10 V; 1 minute	>15000 M Ω		
RC between leads, for $C > 0.33 \mu\text{F}$ at 10 V; 1 minute	>5000 s		
R between interconnecting leads and casing; 10 V; 1 minute	>30000 M Ω		
Withstanding (DC) voltage (cut off current 10 mA); rise time 100 V/s	100 V; 1 minute		
Withstanding (AC) voltage between leads and case	200 V; 1 minute		

Available 63 V DC versions

PACKAGING ⁽¹⁾	DIMENSIONS	C-tol	FIRST 9 DIGITS OF CATALOGUE NUMBER	ORDERING
Loose in box	$l_t = 4.0 +1.0/-0.5$ mm	$\pm 10\%$	2222 369 15...	on request
		$\pm 5\%$	2222 369 16...	on request
	$l_t = 22.0 \pm 4.0$ mm	$\pm 10\%$	2222 369 11...	on request
		$\pm 5\%$	2222 369 12...	on request
Taped on reel	H = 18.5 mm; note 2	$\pm 10\%$	2222 369 18...	on request
		$\pm 5\%$	2222 369 19...	on request

Notes

- For SPQ refer to this handbook, chapter "Packaging information".
- H = in-tape height; for detailed specifications refer to this handbook, chapter "Packaging information".

Metallized polyester film capacitors

MKT 369

 $U_{Rdc} = 63 \text{ V}$; $U_{Rac} = 40 \text{ V}$

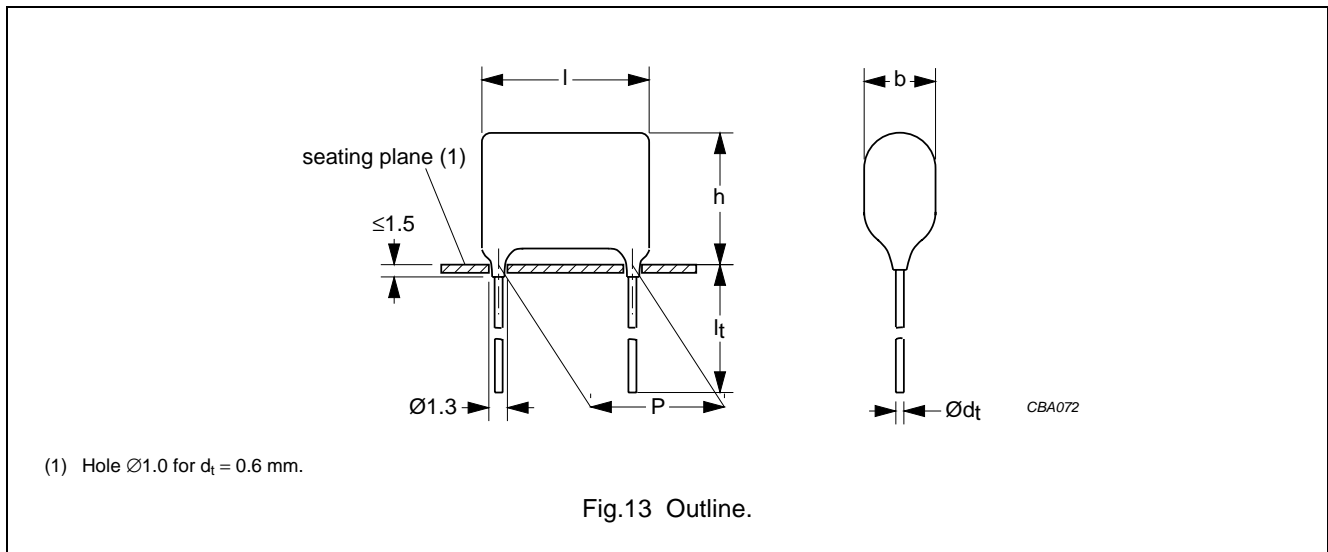
C (μF)	DIMENSIONS $b_{\max} \times h_{\max} \times l_{\max}$ (mm)	MASS (g)	CATALOGUE NUMBER
			LOOSE IN BOX
			$l_t = 4.0 +1.0/-0.5 \text{ mm}$
			C-tol = $\pm 10\%$
Pitch = $10.0 \pm 0.4 \text{ mm}$; $d_t = 0.60 \pm 0.06 \text{ mm}$			
0.22	$4.2 \times 9.3 \times 12.5$	0.4	2222 369 15224
0.27	$3.8 \times 9.0 \times 12.5$	0.4	2222 369 15274
0.33	$4.1 \times 9.3 \times 12.5$	0.4	2222 369 15334
0.39	$4.0 \times 9.2 \times 12.5$	0.4	2222 369 15394
0.47	$4.3 \times 9.5 \times 12.5$	0.5	2222 369 15474
0.56	$4.7 \times 9.8 \times 12.5$	0.5	2222 369 15564
0.68	$5.1 \times 10.2 \times 12.5$	0.5	2222 369 15684
0.82	$5.5 \times 10.7 \times 12.5$	0.6	2222 369 15824
1	$6.0 \times 11.1 \times 12.5$	0.7	2222 369 15105

Metallized polyester film capacitors

MKT 369

MKT 369 GENERAL DATA

PITCH 10 mm



Specific reference data for the 100 V DC capacitors

DESCRIPTION	VALUE		
	at 1 kHz	at 10 kHz	at 100 kHz
Tangent of loss angle: $C \leq 0.1 \mu\text{F}$ $C \geq 0.1 \mu\text{F}$	$\leq 75 \times 10^{-4}$ $\leq 75 \times 10^{-4}$	$\leq 130 \times 10^{-4}$ $\leq 130 \times 10^{-4}$	$\leq 225 \times 10^{-4}$ $\leq 300 \times 10^{-4}$
Rated voltage pulse slope $(dU/dt)_R$ at 100 V (DC)	28 V/ μs		
R between leads, for $C \leq 0.33 \mu\text{F}$ at 100 V; 1 minute	$> 15000 \text{ M}\Omega$		
R between interconnecting leads and casing; 100 V; 1 minute	$> 30000 \text{ M}\Omega$		
Withstanding (DC) voltage (cut off current 10 mA); rise time 100 V/s	160 V; 1 minute		
Withstanding (AC) voltage between leads and case	200 V; 1 minute		

Available 100 V DC versions

PACKAGING ⁽¹⁾	DIMENSIONS	C-tol	FIRST 9 DIGITS OF CATALOGUE NUMBER	ORDERING
Loose in box	$l_t = 4.0 +1.0/-0.5$ mm	$\pm 10\%$	2222 369 25...	on request
		$\pm 5\%$	2222 369 26...	on request
	$l_t = 22.0 \pm 4.0$ mm	$\pm 10\%$	2222 369 21...	on request
		$\pm 5\%$	2222 369 22...	on request
Taped on reel	H = 18.5 mm; note 2	$\pm 10\%$	2222 369 28...	on request
		$\pm 5\%$	2222 369 29...	on request

Notes

- For SPQ refer to this handbook, chapter "Packaging information".
- H = in-tape height; for detailed specifications refer to this handbook, chapter "Packaging information".

Metallized polyester film capacitors

MKT 369

 $U_{Rdc} = 100 \text{ V}$; $U_{Rac} = 63 \text{ V}$

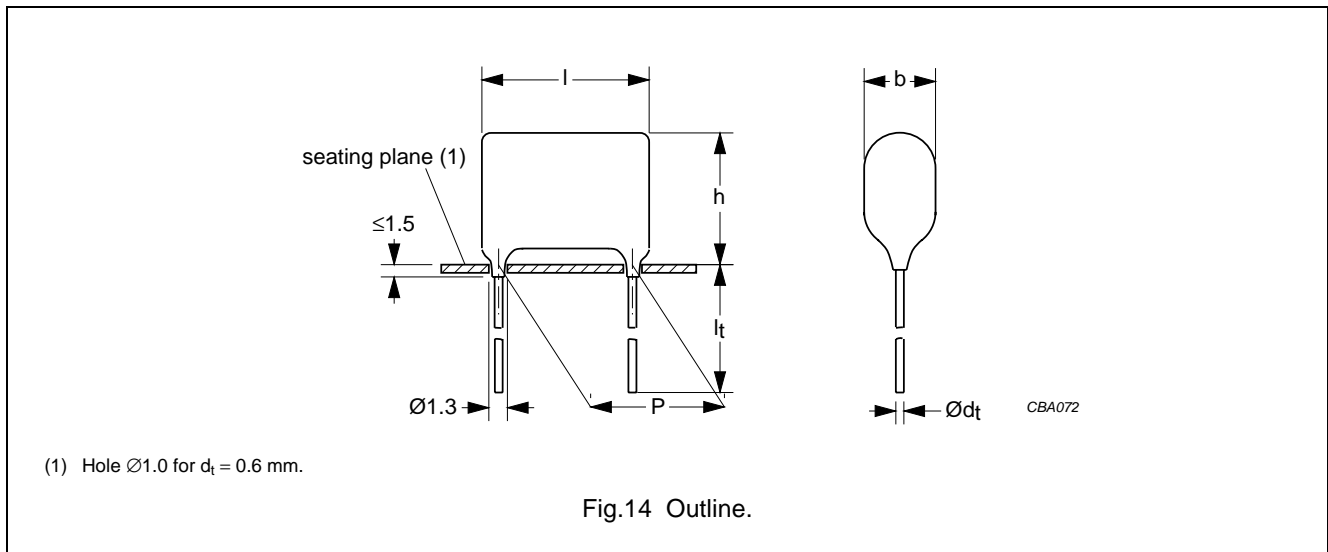
C (μF)	DIMENSIONS $b_{\max} \times h_{\max} \times l_{\max}$ (mm)	MASS (g)	CATALOGUE NUMBER
			LOOSE IN BOX
			$l_t = 4.0 +1.0/-0.5 \text{ mm}$
			C-tol = $\pm 10\%$
Pitch = $10.0 \pm 0.4 \text{ mm}$; $d_t = 0.60 \pm 0.06 \text{ mm}$			
0.056	$4.0 \times 9.1 \times 12.5$	0.4	2222 369 25563
0.068			2222 369 25683
0.082	$3.7 \times 8.8 \times 12.5$	0.4	2222 369 25823
0.1	$4.0 \times 9.0 \times 12.5$	0.4	2222 369 25104
0.12	$4.3 \times 9.3 \times 12.5$	0.4	2222 369 25124
0.15	$3.9 \times 8.9 \times 12.5$	0.4	2222 369 25154
0.18	$4.2 \times 9.2 \times 12.5$	0.5	2222 369 25184
0.22	$4.5 \times 9.4 \times 12.5$	0.5	2222 369 25224

Metallized polyester film capacitors

MKT 369

MKT 369 GENERAL DATA

PITCH 10 mm



Specific reference data for the 250 V DC capacitors

DESCRIPTION	VALUE		
	at 1 kHz	at 10 kHz	at 100 kHz
Tangent of loss angle: C ≤ 0.1 μF	≤75 × 10 ⁻⁴	≤130 × 10 ⁻⁴	≤225 × 10 ⁻⁴
Rated voltage pulse slope (dU/dt) _R at 250 V (DC)	70 V/μs		
R between leads, for C ≤ 0.33 μF at 10 V; 1 minute	>30000 MΩ		
R between interconnecting leads and casing; 100 V; 1 minute	>30000 MΩ		
Withstanding (DC) voltage (cut off current 10 mA); rise time 100 V/s	400 V; 1 minute		
Withstanding (AC) voltage between leads and case	500 V; 1 minute		

Available 250 V DC versions

PACKAGING ⁽¹⁾	DIMENSIONS	C-tol	FIRST 9 DIGITS OF CATALOGUE NUMBER	ORDERING
Loose in box	l _t = 4.0 +1.0/-0.5 mm	±10%	2222 369 45...	on request
		±5%	2222 369 46...	on request
	l _t = 22.0 ±4.0 mm	±10%	2222 369 41...	on request
		±5%	2222 369 42...	on request
Taped on reel	H = 18.5 mm; note 2	±10%	2222 369 48...	on request
		±5%	2222 369 49...	on request

Notes

- For SPQ refer to this handbook, chapter "Packaging information".
- H = in-tape height; for detailed specifications refer to this handbook, chapter "Packaging information".

Metallized polyester film capacitors

MKT 369

 $U_{Rdc} = 250 \text{ V}$; $U_{Rac} = 160 \text{ V}$

C (μF)	DIMENSIONS $b_{\max} \times h_{\max} \times l_{\max}$ (mm)	MASS (g)	CATALOGUE NUMBER
			LOOSE IN BOX
			$l_t = 4.0 +1.0/-0.5 \text{ mm}$
			C-tol = $\pm 10\%$
Pitch = $10.0 \pm 0.4 \text{ mm}$; $d_t = 0.60 \pm 0.06 \text{ mm}$			
0.027	$4.0 \times 8.7 \times 12.5$	0.4	2222 369 45273
0.033	$4.0 \times 8.8 \times 12.5$	0.4	2222 369 45333
0.039			2222 369 45393
0.047	$4.5 \times 9.0 \times 12.5$	0.5	2222 369 45473
0.056	$4.6 \times 8.8 \times 12.5$	0.5	2222 369 45563
0.068	$4.6 \times 9.2 \times 12.5$	0.5	2222 369 45683
0.082	$4.4 \times 9.4 \times 12.5$	0.5	2222 369 45823
0.1	$4.7 \times 9.7 \times 12.5$	0.5	2222 369 45104

Metallized polyester film capacitors

MKT 369

MKT 369 GENERAL DATA

PITCH 10 mm

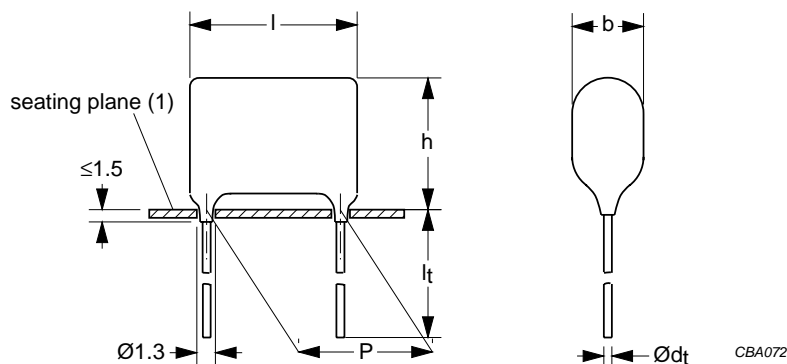
(1) Hole $\varnothing 1.0$ for $d_t = 0.6$ mm.

Fig.15 Outline.

Specific reference data for the 400 V DC capacitors

DESCRIPTION	VALUE		
	at 1 kHz	at 10 kHz	at 100 kHz
Tangent of loss angle: $C \leq 0.1 \mu\text{F}$	$\leq 75 \times 10^{-4}$	$\leq 130 \times 10^{-4}$	$\leq 225 \times 10^{-4}$
Rated voltage pulse slope $(dU/dt)_R$ at 400 V (DC)	110 V/ μs		
R between leads, for $C \leq 0.33 \mu\text{F}$ at 100 V; 1 minute	$> 30000 \text{ M}\Omega$		
R between interconnecting leads and casing; 100 V; 1 minute	$> 30000 \text{ M}\Omega$		
Withstanding (DC) voltage (cut off current 10 mA); rise time 100 V/s	640 V; 1 minute		
Withstanding (AC) voltage between leads and case	800 V; 1 minute		

Available 400 V DC versions

PACKAGING ⁽¹⁾	DIMENSIONS	C-tol	FIRST 9 DIGITS OF CATALOGUE NUMBER	ORDERING
Loose in box	$t_t = 4.0 +1.0/-0.5$ mm	$\pm 10\%$	2222 369 55...	on request
		$\pm 5\%$	2222 369 56...	on request
	$t_t = 22.0 \pm 4.0$ mm	$\pm 10\%$	2222 369 51...	on request
		$\pm 5\%$	2222 369 52...	on request
Taped on reel	H = 18.5 mm; note 2	$\pm 10\%$	2222 369 58...	on request
		$\pm 5\%$	2222 369 59...	on request

Notes

- For SPQ refer to this handbook, chapter "Packaging information".
- H = in-tape height; for detailed specifications refer to this handbook, chapter "Packaging information".

Metallized polyester film capacitors

MKT 369

 $U_{Rdc} = 400 \text{ V}$; $U_{Rac} = 220 \text{ V}$

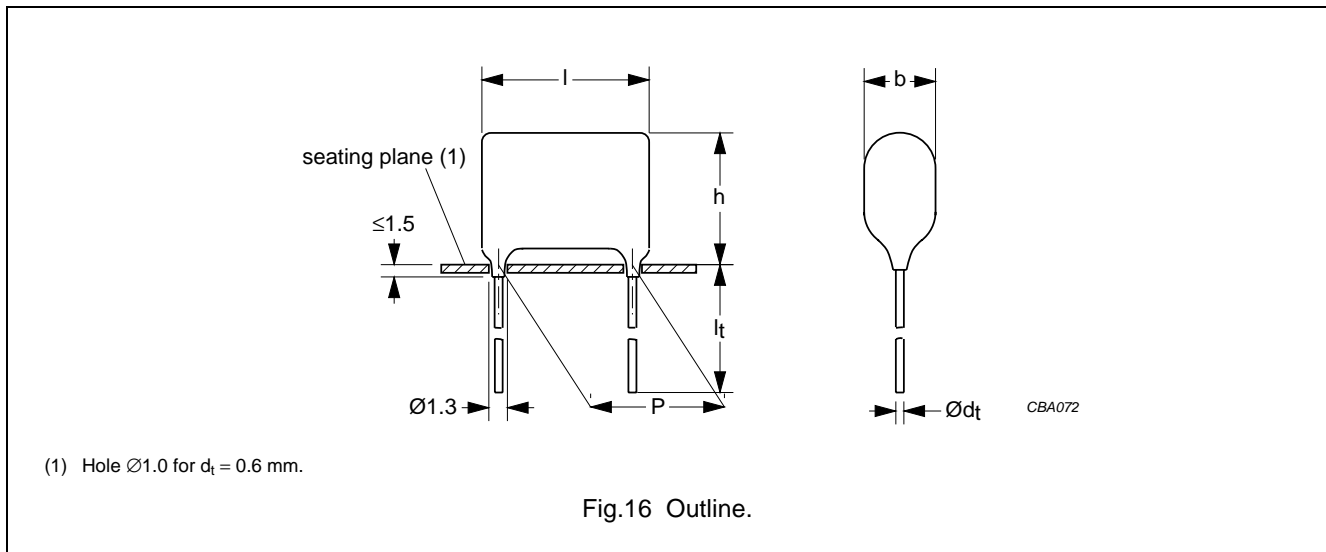
C (μF)	DIMENSIONS $b_{\max} \times h_{\max} \times l_{\max}$ (mm)	MASS (g)	CATALOGUE NUMBER
			LOOSE IN BOX
			$l_t = 4.0 +1.0/-0.5 \text{ mm}$
			C-tol = $\pm 10\%$
Pitch = $10.0 \pm 0.4 \text{ mm}$; $d_t = 0.60 \pm 0.06 \text{ mm}$			
0.001	$4.5 \times 8.7 \times 12.5$	0.5	2222 369 55102
0.0012	$4.5 \times 9.0 \times 12.5$	0.5	2222 369 55122
0.0015	$4.5 \times 8.8 \times 12.5$	0.5	2222 369 55152
0.0018	$4.5 \times 8.7 \times 12.5$	0.5	2222 369 55182
0.0022	$4.0 \times 8.6 \times 12.5$	0.5	2222 369 55222
0.0027	$4.3 \times 8.9 \times 12.5$	0.5	2222 369 55272
0.0033	$4.6 \times 9.1 \times 12.5$	0.5	2222 369 55332
0.0039	$4.0 \times 8.7 \times 12.5$	0.5	2222 369 55392
0.0047	$4.1 \times 8.8 \times 12.5$	0.5	2222 369 55472
0.0056	$4.6 \times 9.1 \times 12.5$	0.5	2222 369 55562
0.0068			2222 369 55682
0.0082			2222 369 55822
0.01			2222 369 55103
0.012	$4.0 \times 8.7 \times 12.5$	0.5	2222 369 55123
0.015	$4.0 \times 8.8 \times 12.5$	0.5	2222 369 55153
0.018			2222 369 55183
0.022	$3.9 \times 8.8 \times 12.5$	0.5	2222 369 55223
0.027	$4.2 \times 9.1 \times 12.5$	0.5	2222 369 55273
0.033	$4.6 \times 9.4 \times 12.5$	0.5	2222 369 55333

Metalized polyester film capacitors

MKT 369

MKT 369 GENERAL DATA

PITCH 10 mm



Specific reference data for the 630 V DC capacitors

DESCRIPTION	VALUE		
	at 1 kHz	at 10 kHz	at 100 kHz
Tangent of loss angle: $C \leq 0.1 \mu\text{F}$	$\leq 75 \times 10^{-4}$	$\leq 130 \times 10^{-4}$	$\leq 225 \times 10^{-4}$
Rated voltage pulse slope $(dU/dt)_R$ at 630 V (DC)	70 V/ μs		
R between leads, for $C \leq 0.33 \mu\text{F}$ at 500 V; 1 minute	$> 30000 \text{ M}\Omega$		
RC between leads, for $C > 0.33 \mu\text{F}$ at 500 V; 1 minute	$> 10000 \text{ s}$		
R between interconnecting leads and casing; 500 V; 1 minute	$> 30000 \text{ M}\Omega$		
Withstanding (DC) voltage (cut off current 10 mA); rise time 100 V/s	1008 V; 1 minute		
Withstanding (AC) voltage between leads and case	1260 V; 1 minute		

Available 630 V DC versions

PACKAGING ⁽¹⁾	DIMENSIONS	C-tol	FIRST 9 DIGITS OF CATALOGUE NUMBER	ORDERING
Loose in box	$l_t = 4.0 +1.0/-0.5 \text{ mm}$	$\pm 10\%$	2222 369 65...	on request
		$\pm 5\%$	2222 369 66...	on request
	$l_t = 22.0 \pm 4.0 \text{ mm}$	$\pm 10\%$	2222 369 61...	on request
		$\pm 5\%$	2222 369 62...	on request
Taped on reel	$H = 18.5 \text{ mm}$; note 2	$\pm 10\%$	2222 369 68...	on request
		$\pm 5\%$	2222 369 69...	on request

Notes

- For SPQ refer to this handbook, chapter "Packaging information".
- H = in-tape height; for detailed specifications refer to this handbook, chapter "Packaging information".

Metallized polyester film capacitors

MKT 369

 $U_{Rdc} = 630 \text{ V}$; $U_{Rac} = 250 \text{ V}$

C (μF)	DIMENSIONS $b_{\text{max}} \times h_{\text{max}} \times l_{\text{max}}$ (mm)	MASS (g)	CATALOGUE NUMBER
			LOOSE IN BOX
			$l_t = 4.0 +1.0/-0.5 \text{ mm}$
			C-tol = $\pm 10\%$
Pitch = $10.0 \pm 0.4 \text{ mm}$; $d_t = 0.60 \pm 0.06 \text{ mm}$			
0.01	$4.1 \times 8.7 \times 12.5$	0.4	2222 369 65 103
0.012	$4.4 \times 8.9 \times 12.5$	0.5	2222 369 65 123
0.015	$4.9 \times 9.2 \times 12.5$	0.5	2222 369 65 153
0.018	$5.3 \times 9.5 \times 12.5$	0.6	2222 369 65 183
0.022	$5.9 \times 9.9 \times 12.5$	0.7	2222 369 65 223