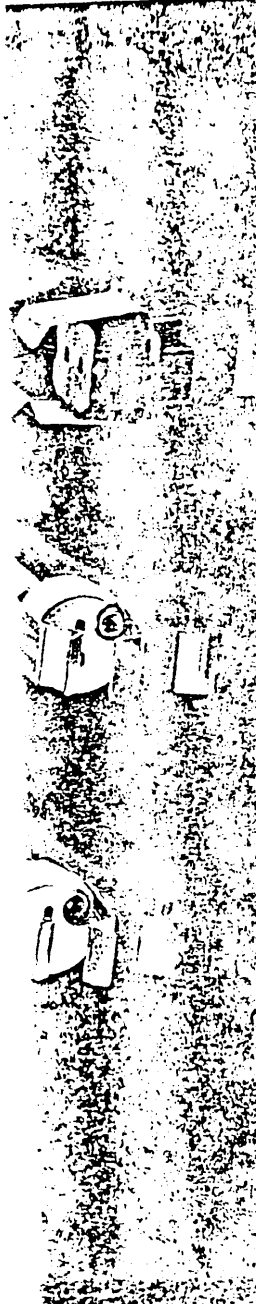
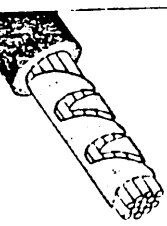
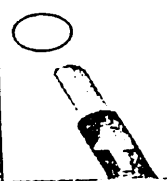


530-669



T200
T250



5 A /
10 A
50 V

i

see pages 500...

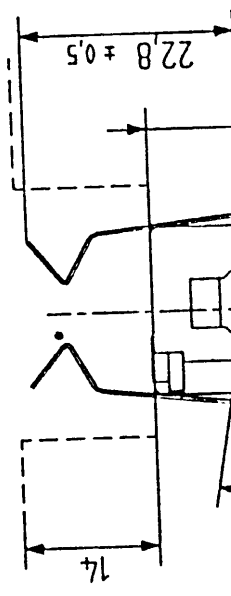
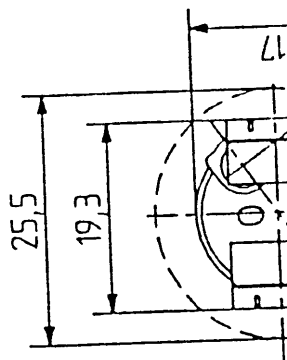
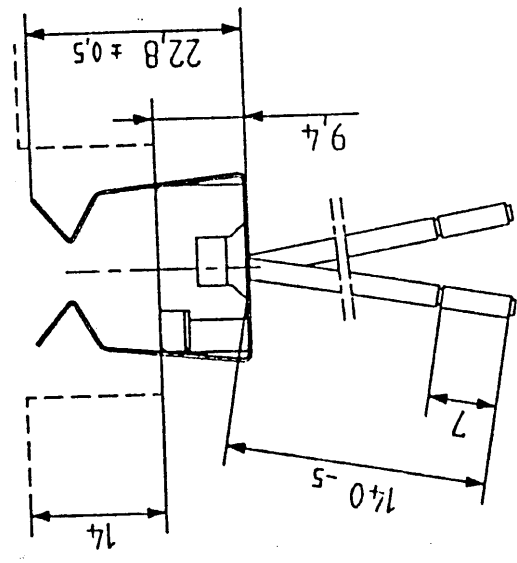
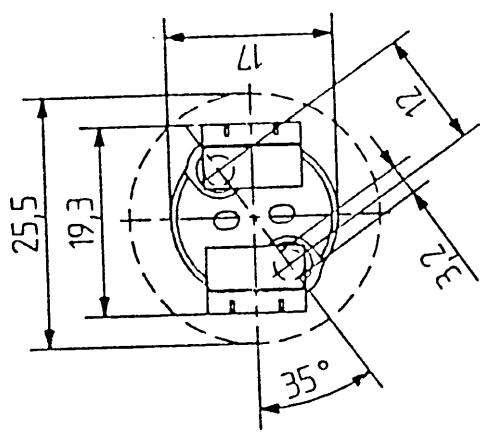
max. ϕ 1.8 mm

pkg. wt. part no.
500 20g 25.105.3101.00

Screw fixing

Rating 10 A / 50 V
Housing: ceramic
T 250 for the contacts:
(material Ni)
Wires: Cu, nickel plated
1.0 mm², insulation PTFE
(max. 250° C),
with ferrule
Free cable length: 140 mm
Rear cable entry

530-669



Screw fixing
thread inserts M 3
Rating 10 A / 50 V
Housing: ceramic
T 250 for the contacts:
(material Ni)
Wires: Cu, nickel plated
1.0 mm², insulation PTFE
(max. 250° C),

500 8g 25.105.4201.00