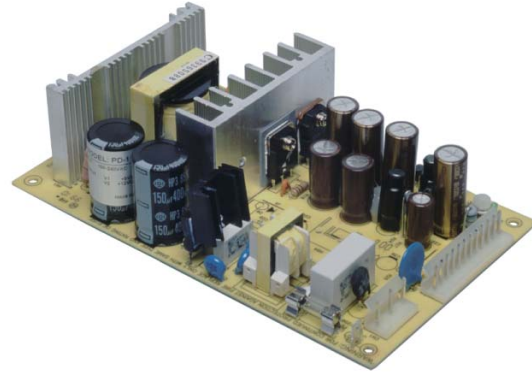


Features

- Universal AC input / Full range
- Protections:Short circuit/Over load/Over voltage
- Cooling by free air convection
- With power good signal output(Optional)
- 100% full load burn-in test
- Fixed switching frequency at 45KHz
- 2 year warranty



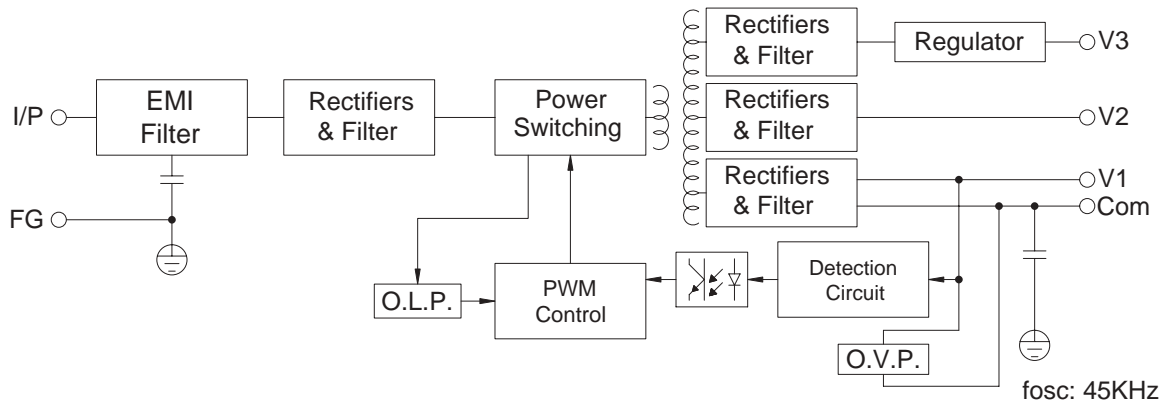
	CH1	CH2
DC output voltage	5V	12V
Output V. tolerance	±2%	±6%
Output rated current	5A	6.5A
Output current range	0.5-5A	0.5-6.5A
Ripple & noise	100mVp-p	150mVp-p
Line regulation	±1%	±2%
Load regulation	±1%	±5%
DC output power	103W	
Efficiency	75%	
DC voltage adj.	CH1:+10,-5%	
Input voltage range	100~264VAC 47~63Hz; 141~370VDC (90~100VAC 90% load max.)	
AC current	3A/115V 1.5A/230V	
Inrush current	cold start 50A	
Leakage current	<1mA/240VAC	
Overload protection	105%-135%	
	type: Hiccup mode, recovers automatically after fault condition is removed	
Over voltage protection	CH1:5.75~6.75V	
Over temp. protection	-----	
Temperature coefficient	±0.03% / °C (0~50°C) ON +5V output	
Set up, rise, hold up time	1.2s, 50ms, 20ms	
Power good	≥1ms	
Vibration	10~500Hz, 2G 10 min./1 cycle, period fo 60 min. each axes	
Withstand voltage	I/P-O/P: 3KVAC, I/P-FG: 1.5KVAC, O/P-FG: 0.5KVAC, for 1 min.	
Isolation resistance	I/P-O/P, I/P-FG, O/P-FG: 500VDC / 100M Ohms min.	
Working temp., humidity	-10°C~+50% (refer to output derating curve), 20%-90% RH	
Storage temp., humidity	-20°C~+85°C, 10%-95% RH	
Dimensions	7x4.25x1.88 inches (178x108x46 mm)	
Weight	1.1 lbs. (0.5 Kg)	
Safety standards	UL1950, TUV EN60950	
EMC standards	CISPR22 (EN55022) CLASS B	

Notes:

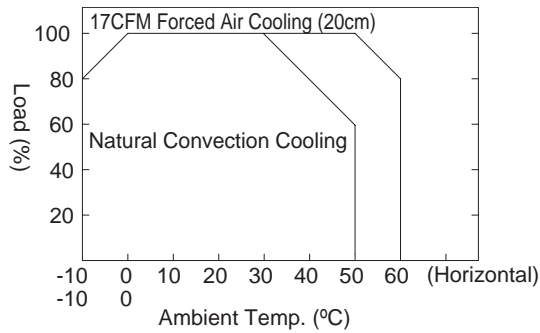
1. All parameters are specified at 230VAC input, rated load, 25°C 70% RH ambient
2. Tolerance includes set up tolerance, line regulation, load regulation
3. Ripple & noise are measured at 20MHz by using a 12" twisted pair terminated with a 0.1uF & 47 uF capacitor
4. Line regulation is measured from low line to high line at rated load
5. Output provided up to maximum current, but related to maximum output power
6. Each output provide up to maximum current, but total load cannot exceed max. output power
7. C2, C3, C11 must be removed

*V-Infinity reserves the right to make changes to its products or to discontinue any product or service without notice, and to advise customers to verify the most up-to-date product information before placing orders. V-Infinity assumes no liability or responsibility for customer's applications using V-Infinity products other than repair or replacing (at V-I's option) V-Infinity products not meeting V-I's published specifications. Nothing will be covered outside of standard product warranty.

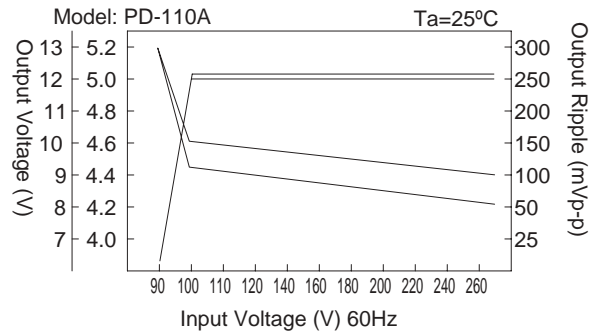
Block Diagram



Output Derating



Static Characteristics



Dimensions (mm)

Terminal Pin No. Assignment

- CN1: MOLEX 5273-05
 - PIN 3,5: AC INPUT
 - PIN 1: FG
- CN2: MOLEX 5273-12
 - PIN 1,2,3: DC OUTPUT V1
 - PIN 4,5,6,7: DC OUTPUT COM
 - PIN 8,9,10: DC OUTPUT V2
 - PIN 11,12: DC OUTPUT V3 OPTION

Model/Pin No.	PD-110A	PD-110B
1,2,3	+5V	+5V
8,9,10	+12V	+24V

Mating Connectors

CN1,2 Mating Connector Type
Molex 5195 Series or equivalent with
Molex 5194 or equivalent
crimp terminals.

