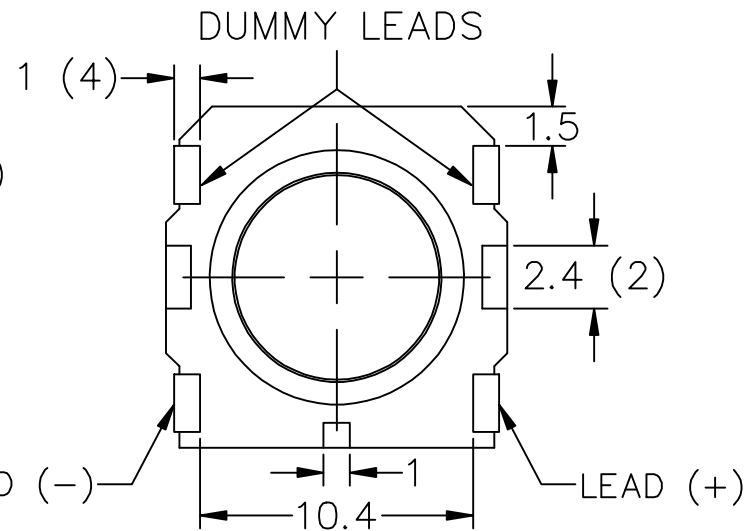
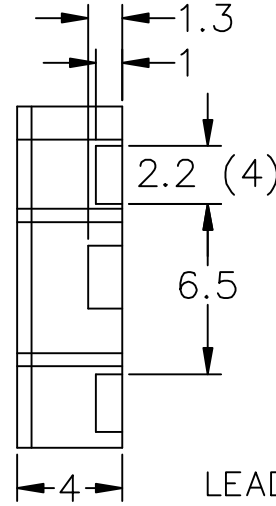
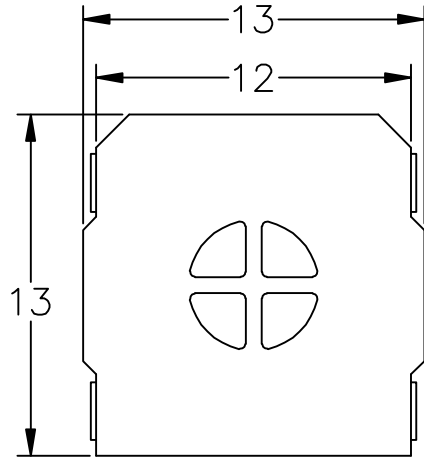


THIS DOCUMENT CONTAINS DATA PROPRIETARY TO PROJECTS UNLIMITED, INC. ANY USE OR REPRODUCTION, IN ANY FORM, WITHOUT PRIOR WRITTEN PERMISSION OF PROJECTS UNLIMITED, INC. IS PROHIBITED.
 ©2005, Projects Unlimited Inc.

SPECIFICATIONS


PARAMETERS	VALUES	UNITS
RATED INPUT POWER	0.7	W
MAX INPUT POWER	1	W
IMPEDANCE	8±15%	OHM
OUTPUT SPL @ 0.7W/0.1M (AT 1.0, 1.6, 2.0, 3.2 kHz)	88±3	dB
DISTORTION (MAX.)	5%	-
RESONANT FREQUENCY	850±15%	Hz
FREQUENCY RANGE	400 ~ 20,000	Hz
HOUSING MATERIAL	LCP	-
CONE MATERIAL	KAPTON	-
MAGNET MATERIAL	SmCo	-
OPERATING TEMPERATURE	-30 ~ +85	°C
WEIGHT	1.2	grams

REVISIONS			
LTR	DESCRIPTION	DATE	APPROVED
-	RELEASED FROM ENGINEERING	3/4/09	



NOTES:

1. ALL DIMENSIONS ARE IN MILLIMETERS.
2. SPECIFICATION SUBJECT TO CHANGE OR WITHDRAWAL WITHOUT NOTICE.
3. THIS PART IS RoHS 2002/95/EC COMPLIANT.

UNLESS OTHERWISE SPECIFIED: DIMENSIONS ARE IN MILLIMETERS, TOLERANCES ARE ±0.5 AND ANGLES ARE ±3°.		 A Division of Projects Unlimited	6300 Sand Lake Road Dayton, Ohio 45414
APPROVALS	DATE		
DRAWN J.D.	3/09	SPEAKER DRAWING NO. SMS-1308MS-R	
CHECKED C.W.	3/09		
APPROVED B.R.	3/09	SIZE A	SCALE: N.T.S.
FILE NAME SMS-1308MS-R.DWG		SHEET 1 OF 1	