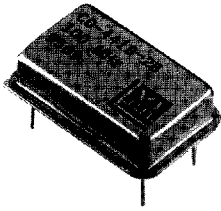


# HCMOS, AC MOS and FCT Clock Oscillators

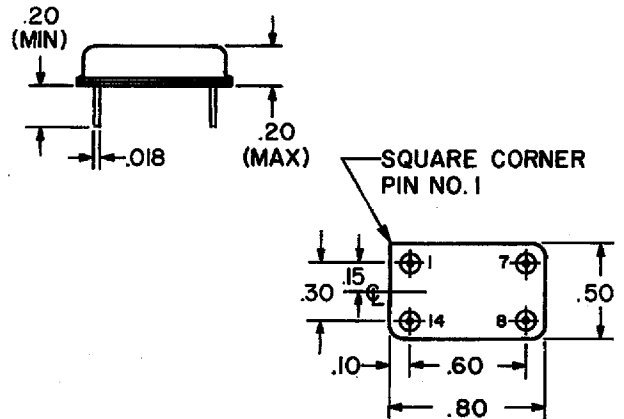
CO-441



**Features**

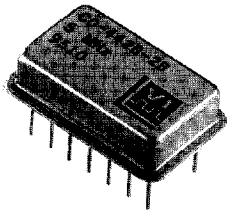
- 1 Hz to 175 MHz Frequency Range
- Low Profile 4 Pin DIP
- HCMOS/ACMOS/FCT/ACT Compatible
- Tri-state Output Available
- Available with 3.3 Vdc input below 20 MHz
- Available as QPL to MIL-0-55310/18B & 26B

CO-441



Note: Dimensions in inches

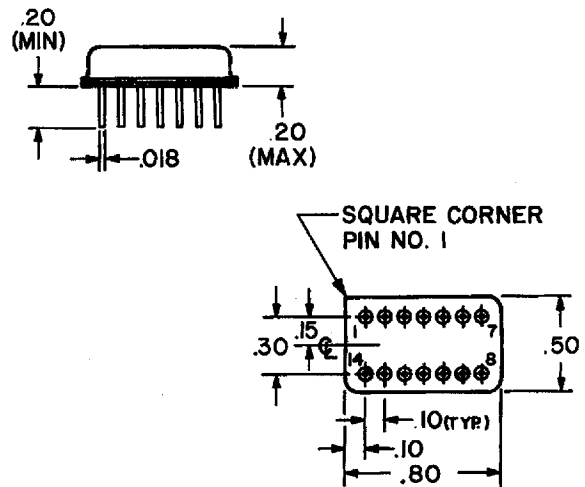
CO-442



**Features**

- 1 Hz to 175 MHz Frequency Range
- Low Profile 14 Pin DIP
- HCMOS/ACMOS/FCT/ACT Compatible
- Tri-state Output Available
- Available with 3.3 Vdc input below 20 MHz
- Available as QPL to MIL-0-55310/18B & 26B

CO-442



Note: Dimensions in inches

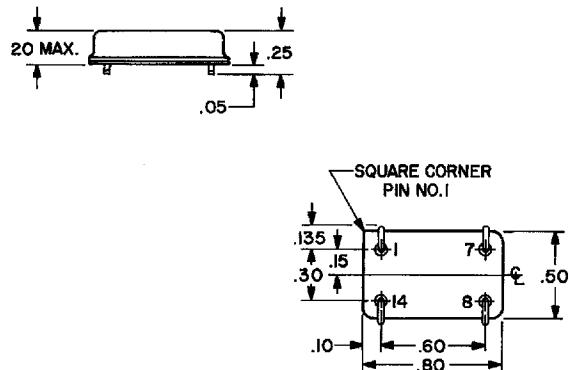
CO-446



**Features**

- 1 Hz to 175 MHz Frequency Range
- Low Profile Surface Mount DIP
- HCMOS/ACMOS/FCT/ACT Compatible
- Tri-state Output Available
- Available with 3.3 Vdc input below 20 MHz

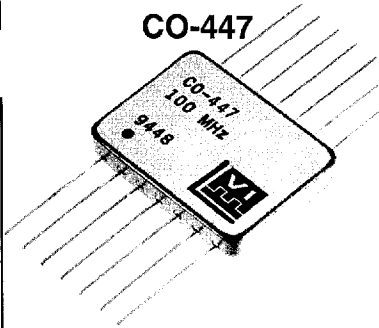
CO-446



Note: Dimensions in inches

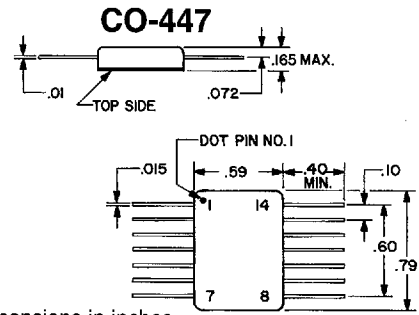
# HCMOS, ACMOS and FCT Clock Oscillators

## CO-447



### Features

- 1 Hz to 175 MHz Frequency Range
- Low Profile 14 Pin Flatpack
- HCMOS/ACMOS/FCT/ACT Compatible
- Tri-state Output Available
- Available with 3.3 Vdc input below 20 MHz



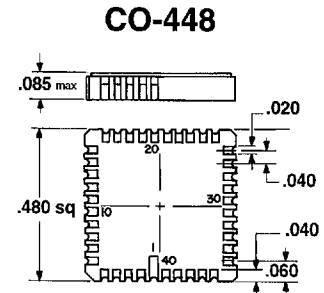
Note: Dimensions in inches

## CO-448



### Features

- 100 kHz to 50 MHz Frequency Range
- Sealed Ceramic Leadless Chip Carrier
- HCMOS/ACMOS/FCT/ACT Compatible
- Lowest profile



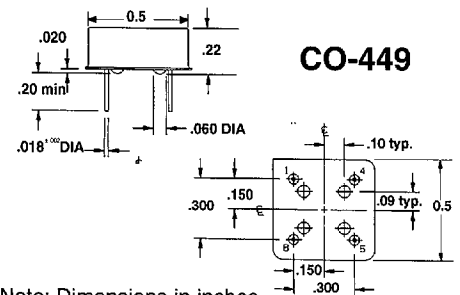
Note: Dimensions in inches

## CO-449



### Features

- 1 Hz to 100 MHz Frequency Range
- Low Profile 4 Pin 1/2 DIP
- HCMOS/ACMOS/FCT/ACT Compatible
- Tri-state Output Available
- Available with 3.3 Vdc input below 20 MHz



Note: Dimensions in inches

## SPECIFICATIONS

Series	HCMOS/ACMOS/FCT/ACT (5V)	LCC CO-448
	CO-441: 4 PIN DIP CO-442: 14 PIN DIP CO-446: SURFACE MOUNT CO-447: FLATPACK CO-449: 4 PIN 1/2 DIP (to 100 MHz)	
ELECTRICAL Frequency	1 Hz-175 MHz	100 kHz-50MHz
Accuracy (maximum error at 25°C)	CO-44□A: ± 50 ppm CO-44□C: ± 25 ppm CO-44□D: ± 15 ppm CO-44□B: ± 10 ppm *CO-44□E: ± 1 ppm □ for 4 pin DIP, □ for 14 pin DIP, □ for surface mount, □ for flatpack, □ for 4 pin 1/2 DIP *Settability via external capacitor (<60 MHz only; except 449E ≤20MHz)	CO-448A: ± 50 ppm CO-448C: ± 25 ppm
Temperature Stability	<b>STANDARD:</b> 0°C to +70°C: ± 25 ppm Option 1: -55°C to +85°C: ± 50 ppm Option 2: -55°C to +125°C: ± 50 ppm (contact factory above 100 MHz) Option 5: 0°C to +50°C: ± 5 ppm Option 6: 0°C to +50°C: ± 10 ppm Option 7: -55°C to +125°C: ± 100 ppm (contact factory above 100 MHz) *Option 9: -55°C to +200°C: ± 300 ppm (N/A in CO-448 or above 20 MHz in CO-440 Series) *Specified stability includes initial accuracy: do not specify A, B, C, D or E accuracy	Improved accuracy/stability available on some models to, for example, to ± 7 ppm over 0°C to +50°C and to ± 10 ppm over 0°C to +70°C. Improvement also available over wider temperature ranges. Please contact factory.
Aging Rate (typical after initial 30 days)	3 ppm first year 2ppm/ year thereafter	
Supply Voltage	5 Vdc ± 5% (Available with 3.3 Vdc input below 20 MHz)	5 Vdc ± 5%