

PLEASE CHECK WWW.MOLEX.COM FOR LATEST PART INFORMATION

Part Number: [0357255210](#)
Status: **Active**
Description: 6.35mm (.250") Tab Slip-On Wire-to-Wire Terminal, Female, 14-12 AWG, Tin-Plated

Documents:

Drawing (PDF)	Product Specification PS-35827-001 (PDF)
Product Specification PS-35546-001 (PDF)	RoHS Certificate of Compliance (PDF)
Product Specification PS-35546-002 (PDF)	

General

Product Family	Crimp Terminals
Series	35725
Crimp Quality Equipment	Yes
Product Name	Tab and Receptacle

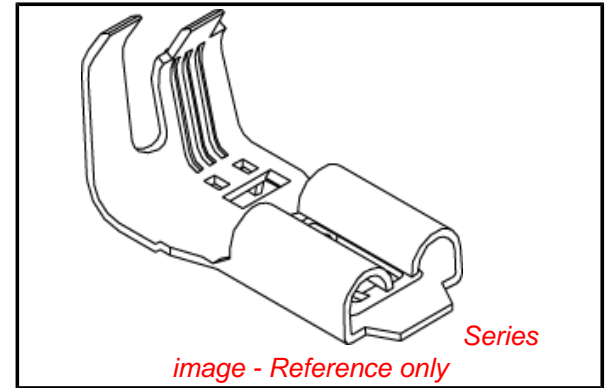
Physical

Gender	Female
Material - Metal	Brass
Material - Plating Mating	Tin
Material - Plating Termination	Tin
Packaging Type	Reel
Termination Interface: Style	Crimp or Compression
Wire Insulation Diameter	5.00mm (.197") max.
Wire Size AWG	12, 14
Wire Size mm ²	N/A

Material Info

Reference - Drawing Numbers

Product Specification	PS-35546-001, PS-35546-002, PS-35827-001
Sales Drawing	SD-35725-501



EU RoHS

ELV and RoHS Compliant
REACH SVHC
 Not Reviewed
Halogen-Free Status

China RoHS



Need more information on product environmental compliance?

Email productcompliance@molex.com
 For a multiple part number RoHS Certificate of Compliance, [click here](#)

Please visit the [Contact Us](#) section for any non-product compliance questions.

Search Parts in this Series

[35725Series](#)

Mates With

[6.35mm \(.250"\) Tab](#)

Use With

[35546](#) , [35547](#)

Application Tooling | FAQ

Tooling specifications and manuals are found by selecting the products below. Crimp Height Specifications are then contained in the Application Tooling Specification document.

Global

Description	Product #
Extraction Tool	0638132700

DO NOT SCALE DRAWING
DIMENSION IN METRIC

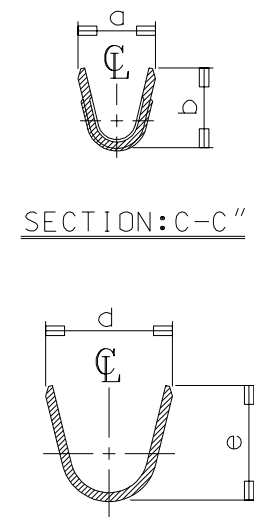
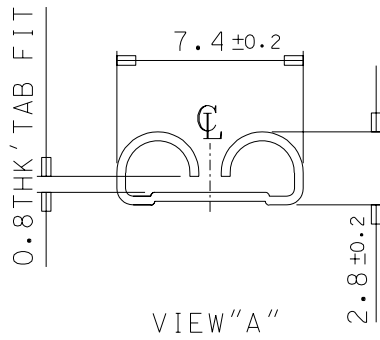
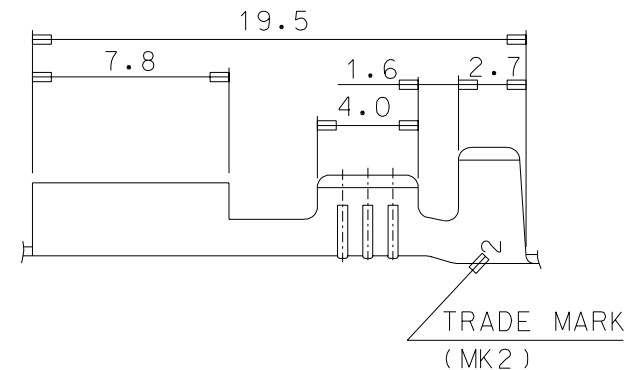
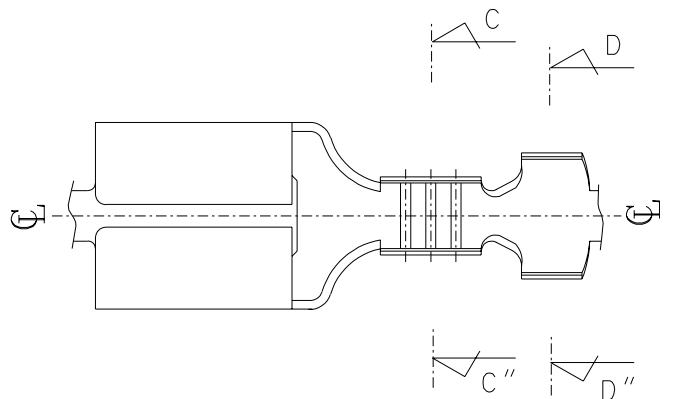
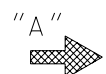
B

C

PROJECT NO.

SIMILAR ITEM

DWG. NO.
SD-35725-501



ENG. NO.	a	b	d	e	WIRE RANGE
35725-5010	2.9	2.8	3.8	3.8	AWG #22-#20
35725-5110	3.6	3.5	5.5	5.0	AWG #18-#14
35725-5210	5.1	4.6	6.2	6.1	AWG #14-#12

NOTES

- MATERIAL : TIN PLATED BRASS
- APPLICABLE TAB THICKNESS : 0.8mm

REVISED EC NO. KOR2002-0099 DRWN: C.B.CHIN 01/04/08 CHK: W.Y.YANG APPR: C.W.LEE	DESCRIPTION MAJOR ▲ = 0 CRITICAL ▽ = 0	QUALITY SYMBOLS		GENERAL TOLERANCES: (UNLESS SPECIFIED)	SCALE 5:1	DESIGN UNITS <input checked="" type="checkbox"/> mm <input type="checkbox"/> INCH	<input checked="" type="checkbox"/> THIRD ANGLE <input type="checkbox"/> PROJECTION	DIMENSIONS: <input type="checkbox"/> mm <input type="checkbox"/> INCH <input checked="" type="checkbox"/> mm ONLY	SHT	REV
		4 PLACES	±0.	±.	DRAWN BY & DATE W.Y.YANG 98/10/22	TITLE: .250 SLIP-ON RECEPTACLE				
		3 PLACES	±0.	±.	CHECKED BY & DATE B.K.CHOI 98/10/22					
		2 PLACES	±0.30	±.	APPROVED BY & DATE C.W.LEE 98/10/22	MOLEX INCORPORATED				
1 PLACE	±0.30	±.	ANGULAR: ± °	CAD FILENAME S7255010.DGN	MATERIAL NO. SEE TABLE	DRAWING NO. SD-35725-501	SHEET NO. 1 OF 1	SIZE B		
A1	REV	DRAFT WHERE APPLICABLE MUST REMAIN WITHIN DIMENSIONS			THIS DRAWING CONTAINS INFORMATION THAT IS PROPRIETARY TO MOLEX INCORPORATED AND SHOULD NOT BE USED WITHOUT WRITTEN PERMISSION.					