

This document was generated on 05/20/2010

PLEASE CHECK WWW.MOLEX.COM FOR LATEST PART INFORMATION

Part Number: [0190980017](#)
Status: **Active**
Description: Krimptite™ Snap Spade Terminal, for 18-22 AWG Wire, Stud Size 5 (M3), 14.86mm (.585") Length

Documents:

[Drawing \(PDF\)](#) [RoHS Certificate of Compliance \(PDF\)](#)

Agency Certification

CSA LR18689
 UL E32244

General

Product Family Ring and Spade Terminals
 Series [19098](#)
 Crimp Quality Equipment Yes
 Mil-Spec N/A
 Product Name Krimptite™
 Type Spade Snap

Physical

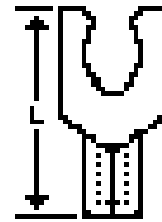
Barrel Type Closed
 Insulation None
 Material - Plating Mating Tin
 Packaging Type Bag
 Stud Size 5 (M3)
 Wire Size AWG 18, 20, 22
 Wire Size mm² 0.35 - 0.80

Material Info

Old Part Number AA-1704-05

Reference - Drawing Numbers

Sales Drawing SD-19098-007



Series
 image - Reference only

EU RoHS

ELV and RoHS Compliant
REACH SVHC Contains SVHC: No
Halogen-Free Status

China RoHS



Need more information on product environmental compliance?

Email productcompliance@molex.com
 For a multiple part number RoHS Certificate of Compliance, [click here](#)

Please visit the [Contact Us](#) section for any non-product compliance questions.

Search Parts in this Series

[19098Series](#)

Application Tooling | [FAQ](#)

Tooling specifications and manuals are found by selecting the products below. Crimp Height Specifications are then contained in the Application Tooling Specification document.

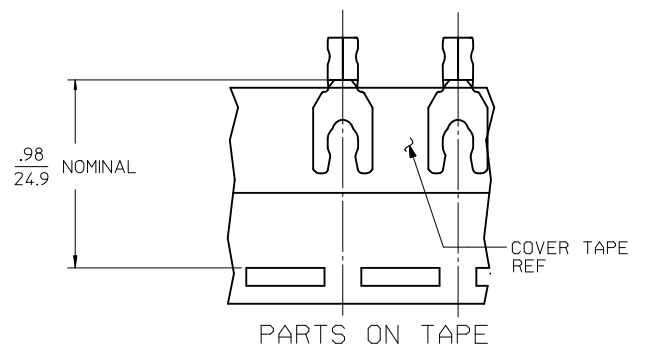
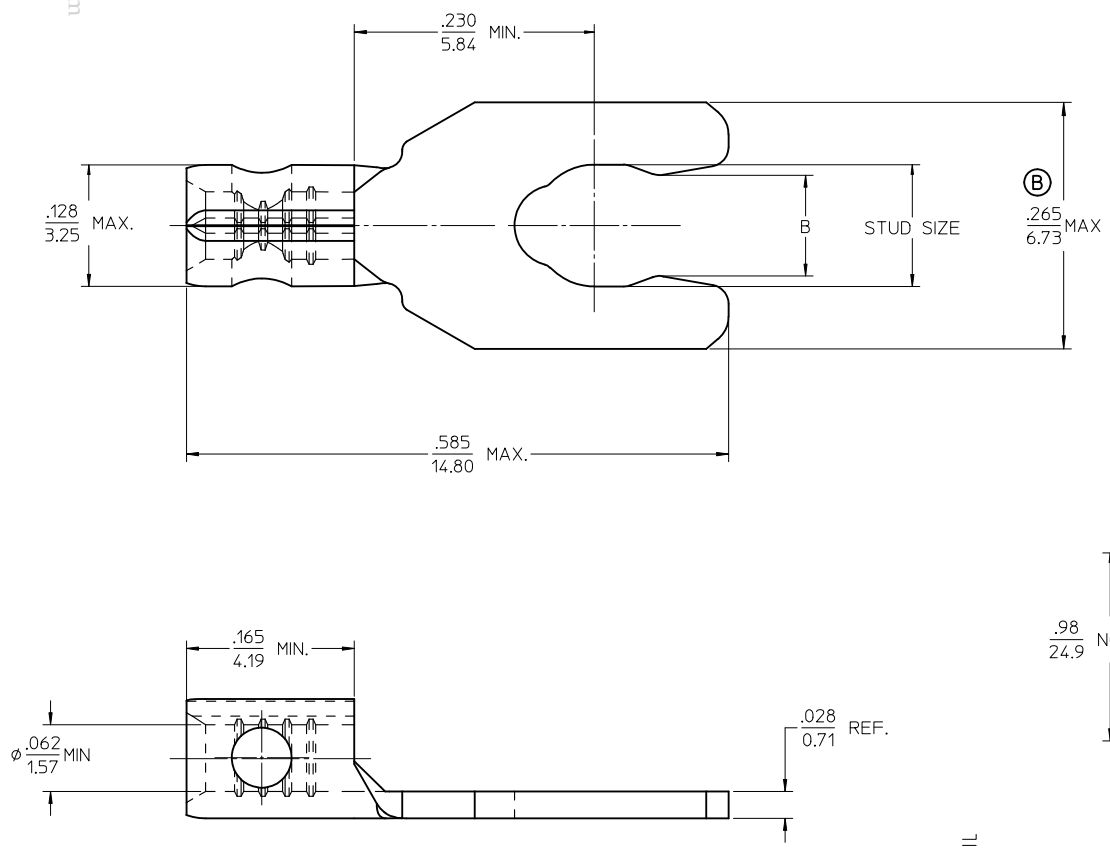
Global

Description	Product #
Hand Crimp Tool	0640030100
Crimp Head for the AT-200™ Pneumatic Hand Tool	0640070100

This document was generated on 05/20/2010

PLEASE CHECK WWW.MOLEX.COM FOR LATEST PART INFORMATION

MATERIAL NO.	ENGINEERING NO.	STUD SIZE	STUD ± .005	DIMENSION B	DESCRIPTION
190980017	AA-1704-05	5	.127/3.23	.105/2.67	LOOSE PIECE
190980018	AA-1704-06	6	.146/3.71	.114/2.90	LOOSE PIECE
190980077	AA-1704-05T	5	.127/3.23	.105/2.67	TAPED REEL
190980019	AA-1704-06T	6	.146/3.71	.114/2.90	TAPED REEL



- NOTES:
1. MATERIAL: COPPER .028/0.71 THICK
 2. PLATING: ELECTRO-TIN
 3. PART IS RoHS COMPLIANT

WIDTH TOLERANCE EC NO: WNA2010-0646 DRWRNSTONE 2007/07/03 CHKD: J. MACNEIL 2010/04/27 APPR: J. MACNEIL 2010/05/14	QUALITY SYMBOLS ▽=1 ▽=2	GENERAL TOLERANCES (UNLESS SPECIFIED)		DIMENSION STYLE IN/MM	SCALE 10:1	DESIGN UNITS INCH	THIRD ANGLE PROJECTION
		4 PLACES ± --- ± --- 3 PLACES ± --- ± .005 2 PLACES ± 0.13 ± .01 1 PLACE ± 0.25 ± --- ANGULAR ± 1/2°	mm INCH ± --- ± --- ± .005 ± 0.13 ± .01 ± 0.25 ± ---	DRAWN BY DATE JJ 1984/10/17	CHECKED BY DATE GZ 1984/10/18	TITLE SNAP SPADE TONGUE TERMINAL, 22-18 AWG	
DRAFT WHERE APPLICABLE MUST REMAIN WITHIN DIMENSIONS		MATERIAL NO. SEE CHART		APPROVED BY DATE --- ---		MOLEX INCORPORATED	
REV B		DESCRIPTION		DOCUMENT NO. SD-19098-007		SHEET NO. 1 OF 1	

www.DataSheet4U.com