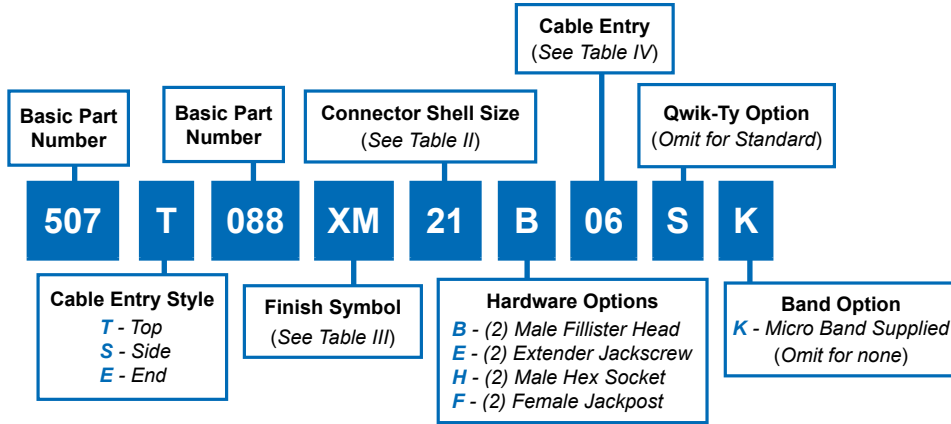
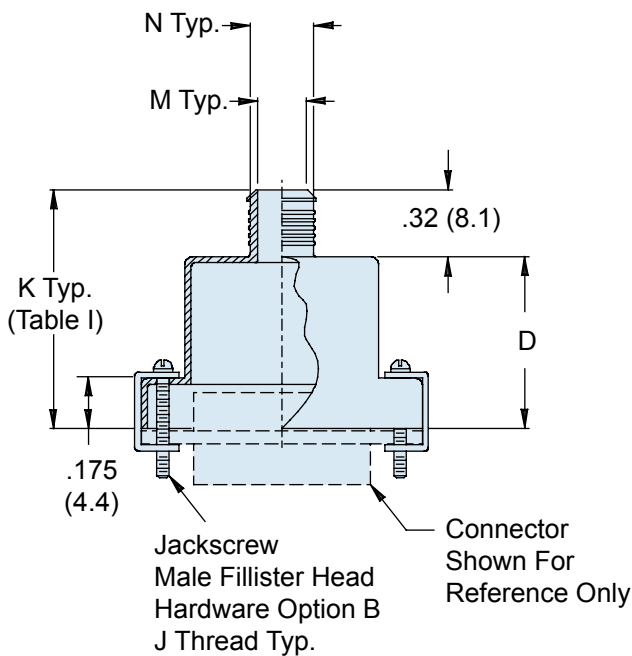


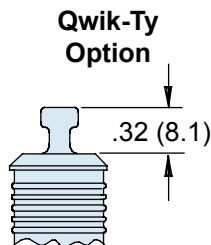
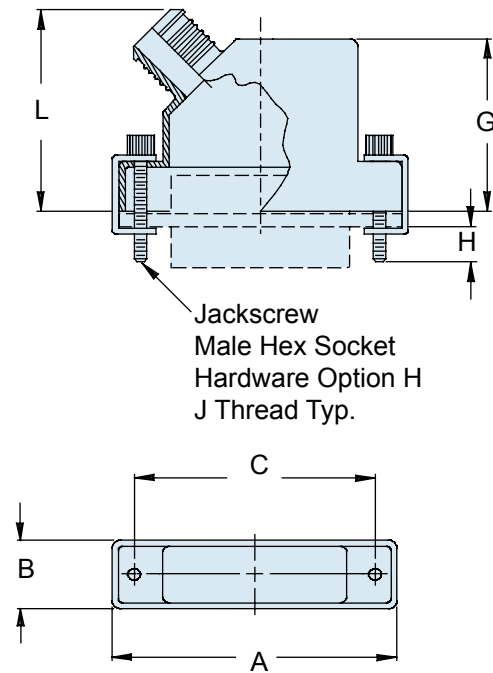
A



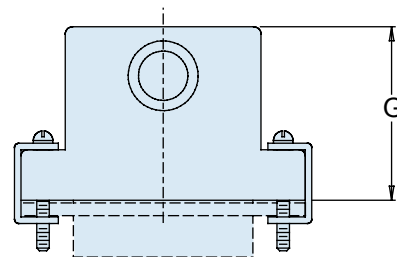
STYLE T - TOP ENTRY



STYLE E - 45° ENTRY



STYLE S SIDE ENTRY



507-088
Composite RFI/EMI Banding Backshell
for MIL-DTL-83513 Micro-D Connectors



A

TABLE II: CONNECTOR SHELL SIZE ORDER NUMBER

SHELL SIZE	A	B	C	D	G
09	.775 (19.7)	.36 (9.1)	.565 (14.4)	.43 (10.9)	.650 (16.5)
15	.925 (23.5)	.36 (9.1)	.715 (18.2)	.44 (11.2)	.700 (17.8)
21	1.075 (27.3)	.36 (9.1)	.865 (22.0)	.56 (14.2)	.735 (18.7)
25	1.175 (29.8)	.36 (9.1)	.965 (24.5)	.62 (15.7)	.800 (20.3)
31	1.325 (33.7)	.36 (9.1)	1.115 (28.3)	.68 (17.3)	.860 (21.8)
37	1.475 (37.5)	.36 (9.1)	1.265 (32.1)	.72 (18.3)	.925 (23.5)
51	1.425 (36.2)	.40 (10.2)	1.215 (30.9)	.75 (19.1)	.975 (24.8)
100	2.160 (54.9)	.45 (11.4)	1.800 (45.7)	.81 (20.6)	1.050 (26.7)

SHELL SIZE	H	J THREAD	K ±.03 (0.8)	L MAX
09	.154 (3.9)	2-56 UNC-2	.75 (19.1)	1.00 (25.4)
15	.154 (3.9)	2-56 UNC-2	.76 (19.3)	1.03 (26.2)
21	.154 (3.9)	2-56 UNC-2	.88 (22.4)	1.05 (26.7)
25	.154 (3.9)	2-56 UNC-2	.94 (23.9)	1.09 (27.7)
31	.154 (3.9)	2-56 UNC-2	1.00 (25.4)	1.13 (28.7)
37	.154 (3.9)	2-56 UNC-2	1.04 (26.4)	1.16 (29.5)
51	.154 (3.9)	2-56 UNC-2	1.07 (27.2)	1.25 (31.8)
100	.194 (4.9)	4-40 UNC-2	1.13 (28.7)	1.32 (33.5)

TABLE III: FINISH

Symbol	Finish Description
XM	2000 Hour Corrosion Resistant Electroless Nickel
XMT	2000 Hour Corrosion Resistant Ni-PTFE, Nickel-Fluorocarbon Polymer. <i>1000 Hour Grey™</i>
XW	2000 Hour Corrosion Resistant Cadmium/Olive Drab over Electroless Nickel

TABLE IV: CABLE ENTRY

Entry Code	Shell Size	M Entry Dia	N Dia
04	09 THRU 100	.125 (3.2)	.219 (5.6)
05	09 THRU 100	.156 (4.0)	.250 (6.4)
06	09 THRU 100	.188 (4.8)	.281 (7.1)
07	09 THRU 100	.219 (5.6)	.313 (8.0)
08	09 THRU 100	.250 (6.4)	.344 (8.7)
09	31 THRU 100	.281 (7.1)	.375 (9.5)
10	51 THRU 100	.312 (7.9)	.406 (10.3)
11	100 ONLY	.344 (8.7)	.438 (11.1)
12	100 ONLY	.375 (9.5)	.469 (11.9)

APPLICATION NOTES

1. Metric dimensions (mm) are in parentheses and are for reference only.
2. These composite backshells meet the requirements of SAE AIR 4567 and AS85049.
3. See Table I in Intro for front-end dimensional details.