

# TLE42794

Low Dropout Fixed Voltage Regulator

Automotive Power



Never stop thinking



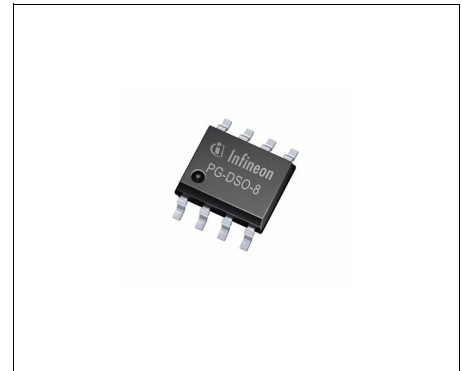
## 1 Overview

### Features

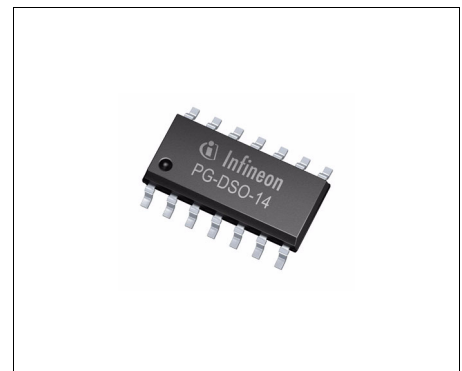
- Output Voltage 5 V  $\pm$  2%
- Output Current up to 150 mA
- Very low Current Consumption
- Early Warning
- Power-on and Undervoltage Reset with Programmable Delay Time
- Reset Low Down to  $V_Q = 1$  V
- Adjustable Reset Threshold
- Very Low Dropout Voltage
- Output Current Limitation
- Reverse Polarity Protection
- Overtemperature Protection
- Suitable for Use in Automotive Electronics
- Wide Temperature Range from -40 °C up to 150 °C
- Input Voltage Range from -42 V to 45 V
- Green Product (RoHS compliant)
- AEC Qualified

### Description

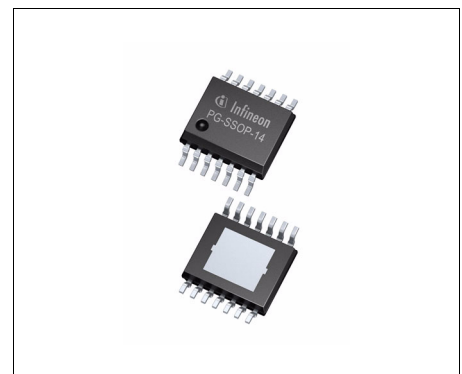
The TLE42794G is a monolithic integrated low dropout voltage regulator, especially designed for automotive applications. An input voltage up to 45 V is regulated to an output voltage of 5.0 V. The component is able to drive loads up to 150 mA. It is short-circuit protected by the implemented current limitation and has an integrated overtemperature shutdown. A reset signal is generated for an output voltage  $V_{Q,rt}$  of typically 4.65 V. This threshold can be decreased by an external resistor divider. The power-on reset delay time can be programmed by the external delay capacitor. The additional sense comparator provides an early warning function: Any voltage (e.g. the input voltage) can be monitored, an under-voltage condition is indicated by setting the comparator's output to low. If pull-up resistors are desired at the outputs of the reset and the sense comparator, the TLE42694 with integrated pull-up resistors can be used instead of the TLE42794.



PG-DSO-8



PG-DSO-14



PG-SSOP-14 exposed pad

Type	Package	Marking
TLE42794G	PG-DSO-8	42794G
TLE42794GM	PG-DSO-14	42794GM
TLE42794E	PG-SSOP-14 exposed pad	42794E

### Dimensioning Information on External Components

The input capacitor  $C_1$  is recommended for compensation of line influences. The output capacitor  $C_Q$  is necessary for the stability of the control loop.

### Circuit Description

The control amplifier compares a reference voltage to a voltage that is proportional to the output voltage and drives the base of the series transistor via a buffer. Saturation control as a function of the load current prevents any oversaturation of the power element. The component also has a number of internal circuits for protection against:

- Overload
- Overtemperature
- Reverse polarity

## 2 Block Diagram

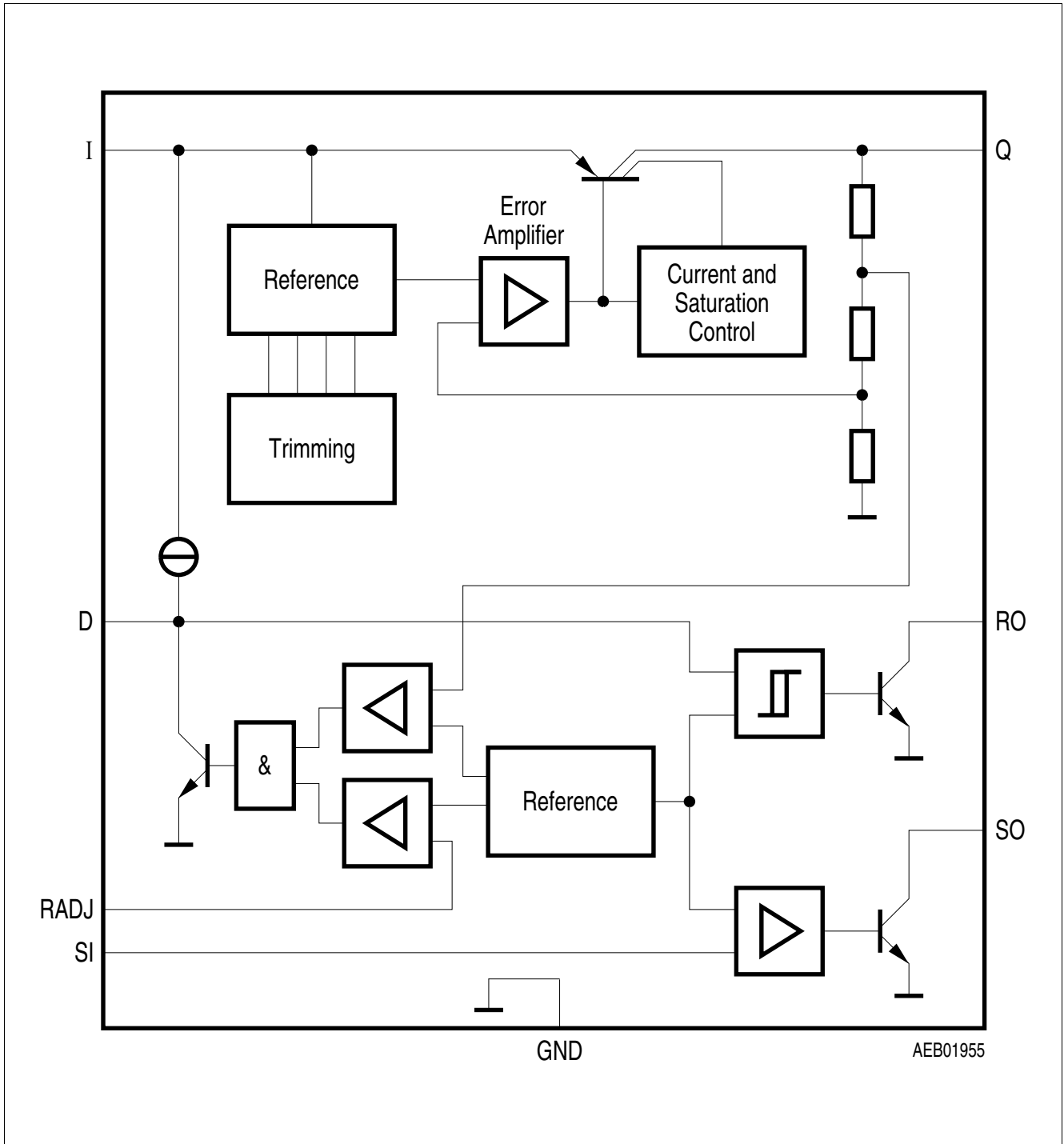


Figure 1 Block Diagram

### 3 Pin Configuration

#### 3.1 Pin Assignment TLE42794G (PG-DSO-8)

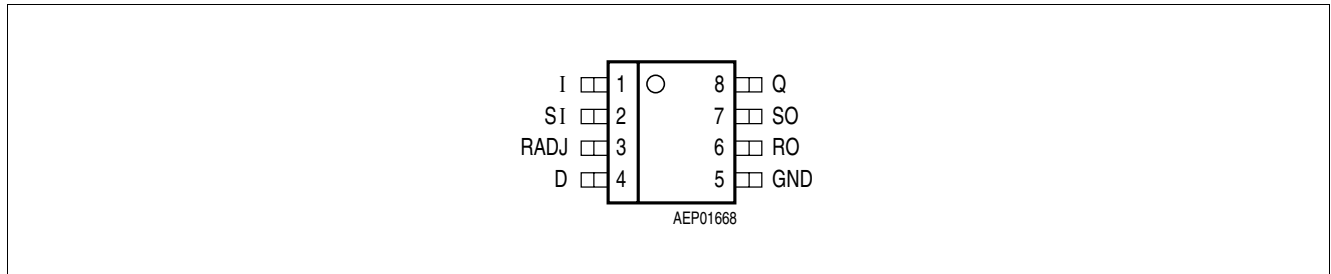


Figure 2 Pin Configuration (top view)

#### 3.2 Pin Definitions and Functions TLE42794G (PG-DSO-8)

Pin	Symbol	Function
1	I	<b>Input</b> for compensating line influences, a capacitor to GND close to the IC terminals is recommended
2	SI	<b>Sense Input</b> connect the voltage to be monitored; connect to Q if the sense comparator is not needed
3	RADJ	<b>Reset Threshold Adjust</b> connect an external voltage divider to adjust reset threshold; connect to GND for using internal threshold
4	D	<b>Reset Delay Timing</b> connect a ceramic capacitor to GND for adjusting the reset delay time; leave open if the reset function is not needed
5	GND	<b>Ground</b>
6	RO	<b>Reset Output</b> open collector output; external pull-up resistor required, respecting values given in <a href="#">Item 5.6.5</a> ; leave open if the reset function is not needed
7	SO	<b>Sense Output</b> open collector output; external pull-up resistor required, respecting values given in <a href="#">Item 5.8.6</a> ; leave open if the sense comparator is not needed
8	Q	<b>Output</b> block to GND with a capacitor close to the IC terminals, respecting the values given for its capacitance $C_Q$ and ESR in <a href="#">“Functional Range” on Page 9</a>

### 3.3 Pin Assignment TLE42794GM (PG-DSO-14)

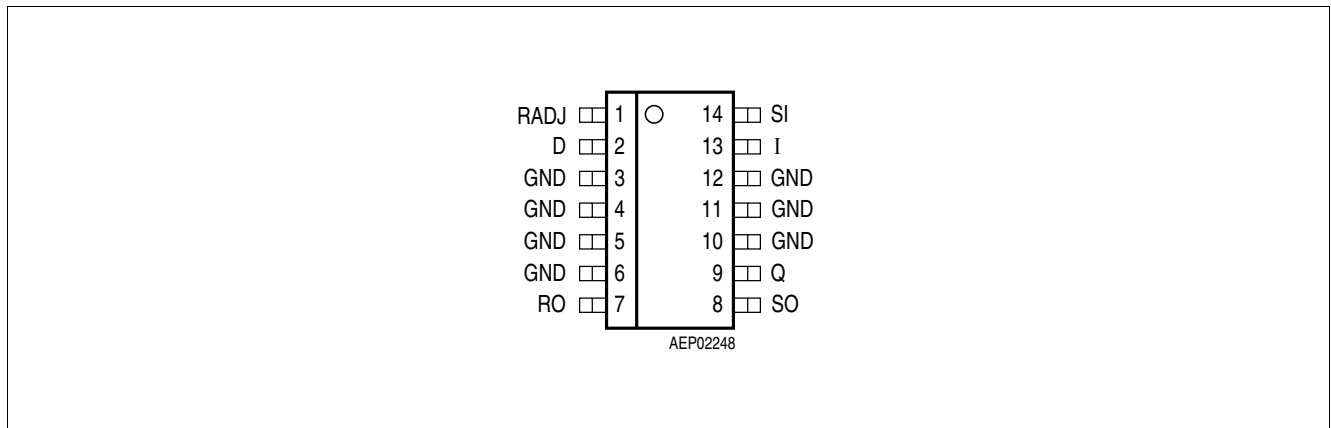


Figure 3 Pin Configuration (top view)

### 3.4 Pin Definitions and Functions TLE42794GM (PG-DSO-14)

Table 1

Pin	Symbol	Function
1	RADJ	<b>Reset Threshold Adjust</b> connect an external voltage divider to adjust reset threshold; connect to GND for using internal threshold
2	D	<b>Reset Delay Timing</b> connect a ceramic capacitor to GND for adjusting the reset delay time; leave open if the reset function is not needed
3, 4, 5, 6	GND	<b>Ground</b> connect all pins to PCB and heatsink area
7	RO	<b>Reset Output</b> open collector output; external pull-up resistor required, respecting values given in <a href="#">Item 5.6.5</a> ; leave open if the reset function is not needed
8	SO	<b>Sense Output</b> open collector output; external pull-up resistor required, respecting values given in <a href="#">Item 5.8.6</a> ; leave open if the sense comparator is not needed
9	Q	<b>Output</b> block to GND with a capacitor close to the IC terminals, respecting the values given for its capacitance $C_Q$ and ESR in the table <a href="#">“Functional Range” on Page 9</a>
10, 11, 12	GND	<b>Ground</b> connect all pins to PCB and heatsink area
13	I	<b>Input</b> for compensating line influences, a capacitor to GND close to the IC terminals is recommended
14	SI	<b>Sense Input</b> connect the voltage to be monitored; connect to Q if the sense comparator is not needed

### 3.5 Pin Assignment TLE42794E (PG-SSOP-14 exposed pad)

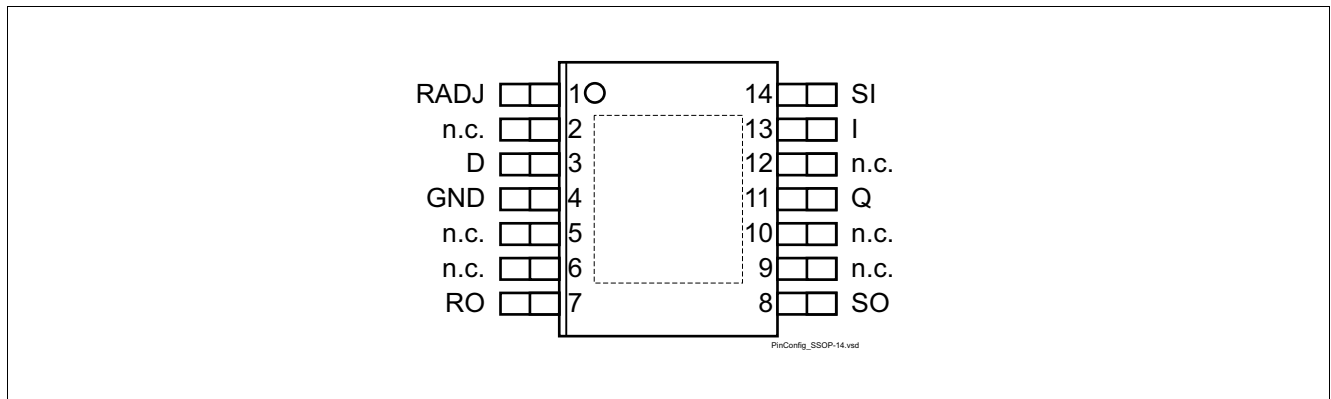


Figure 4 Pin Configuration (top view)

### 3.6 Pin Definitions and Functions TLE42794E (PG-SSOP-14 exposed pad)

Table 2

Pin	Symbol	Function
1	RADJ	<b>Reset Threshold Adjust</b> connect an external voltage divider to adjust reset threshold; connect to GND for using internal threshold
2, 5, 6	n.c.	<b>not connected</b>
3	D	<b>Reset Delay Timing</b> connect a ceramic capacitor to GND for adjusting the reset delay time; leave open if the reset function is not needed
4	GND	<b>Ground</b> connect all pins to PCB and heatsink area
7	RO	<b>Reset Output</b> open collector output; external pull-up resistor required, respecting values given in <a href="#">Item 5.6.4</a> ; leave open if the reset function is not needed
8	SO	<b>Sense Output</b> open collector output; external pull-up resistor required, respecting values given in <a href="#">Item 5.8.6</a> ; leave open if the sense comparator is not needed
9, 10, 12	n.c.	<b>not connected</b>
11	Q	<b>Output</b> block to GND with a capacitor close to the IC terminals, respecting the values given for its capacitance $C_Q$ and ESR in the table <a href="#">“Functional Range” on Page 9</a>
13	I	<b>Input</b> for compensating line influences, a capacitor to GND close to the IC terminals is recommended
14	SI	<b>Sense Input</b> connect the voltage to be monitored; connect to Q if the sense comparator is not needed

## 4 General Product Characteristics

### 4.1 Absolute Maximum Ratings

#### Absolute Maximum Ratings <sup>1)</sup>

-40 °C ≤ T<sub>j</sub> ≤ 150 °C; all voltages with respect to ground, positive current flowing into pin (unless otherwise specified)

Pos.	Parameter	Symbol	Limit Values		Unit	Conditions
			Min.	Max.		
<b>Input, Sense Input</b>						
4.1.1	Voltage	V <sub>I</sub>	-40	45	V	–
<b>Output, Reset Output, Sense Output</b>						
4.1.2	Voltage	V <sub>Q</sub>	-0.3	7	V	–
<b>Reset Delay, Reset Threshold</b>						
4.1.3	Voltage	V <sub>D</sub>	-0.3	7	V	–
<b>Temperature</b>						
4.1.4	Junction Temperature	T <sub>j</sub>	-40	150	°C	–
4.1.5	Storage Temperature	T <sub>stg</sub>	-50	150	°C	–
<b>ESD Absorption</b>						
4.1.6	ESD Absorption	V <sub>ESD,HBM</sub>	-2	2	kV	Human Body Model (HBM) <sup>2)</sup>
4.1.7		V <sub>ESD,CDM</sub>	-500	500	V	Charge Device Model (CDM) <sup>3)</sup>
4.1.8			-750	750	V	Charge Device Model (CDM) <sup>3)</sup> at corner pins

1) not subject to production test, specified by design

2) ESD susceptibility Human Body Model “HBM” according to AEC-Q100-002 - JESD22-A114

3) ESD susceptibility Charged Device Model “CDM” according to ESDA STM5.3.1

*Note: Stresses above the ones listed here may cause permanent damage to the device. Exposure to absolute maximum rating conditions for extended periods may affect device reliability.*

*Note: Integrated protection functions are designed to prevent IC destruction under fault conditions described in the data sheet. Fault conditions are considered as “outside” normal operating range. Protection functions are not designed for continuous repetitive operation.*



## 4.2 Functional Range

Pos.	Parameter	Symbol	Limit Values		Unit	Conditions
			Min.	Max.		
4.2.1	Input Voltage	$V_I$	5.5	45	V	–
4.2.2	Output Capacitor's Requirements for Stability	$C_Q$	10	–	$\mu\text{F}$	– <sup>1)</sup>
		$ESR(C_Q)$	–	3	$\Omega$	– <sup>2)</sup>
4.2.3	Junction Temperature	$T_j$	-40	150	$^{\circ}\text{C}$	–

1) the minimum output capacitance requirement is applicable for a worst case capacitance tolerance of 30%

2) relevant ESR value at  $f = 10$  kHz

*Note: Within the functional range the IC operates as described in the circuit description. The electrical characteristics are specified within the conditions given in the related electrical characteristics table.*

### 4.3 Thermal Resistance

Pos.	Parameter	Symbol	Limit Value			Unit	Conditions
			Min.	Typ.	Max.		
<b>TLE42794G (PG-DSO-8)</b>							
4.3.4	Junction to Soldering Point <sup>1)</sup>	$R_{thJSP}$	–	80	–	K/W	measured to pin 5
4.3.5	Junction to Ambient <sup>1)</sup>	$R_{thJA}$	–	113	–	K/W	<sup>2)</sup>
4.3.6			–	172	–	K/W	Footprint only <sup>3)</sup>
4.3.7			–	142	–	K/W	300mm <sup>2</sup> heatsink area on PCB <sup>3)</sup>
4.3.8			–	136	–	K/W	600mm <sup>2</sup> heatsink area on PCB <sup>3)</sup>
<b>TLE42794GM (PG-DSO-14)</b>							
4.3.9	Junction to Soldering Point <sup>1)</sup>	$R_{thJSP}$	–	27	–	K/W	measured to group of pins 3, 4, 5, 10, 11, 12
4.3.10	Junction to Ambient <sup>1)</sup>	$R_{thJA}$	–	63	–	K/W	<sup>2)</sup>
4.3.11			–	104	–	K/W	Footprint only <sup>3)</sup>
4.3.12			–	73	–	K/W	300mm <sup>2</sup> heatsink area on PCB <sup>3)</sup>
4.3.13			–	65	–	K/W	600mm <sup>2</sup> heatsink area on PCB <sup>3)</sup>
<b>TLE42794E (PG-SSOP-14 exposed pad)</b>							
4.3.14	Junction to Case <sup>1)</sup>	$R_{thJC}$	–	10	–	K/W	measured to Exposed Pad
4.3.15	Junction to Ambient <sup>1)</sup>	$R_{thJA}$	–	47	–	K/W	<sup>2)</sup>
4.3.16			–	145	–	K/W	Footprint only <sup>3)</sup>
4.3.17			–	63	–	K/W	300mm <sup>2</sup> heatsink area on PCB <sup>3)</sup>
4.3.18			–	53	–	K/W	600mm <sup>2</sup> heatsink area on PCB <sup>3)</sup>

1) not subject to production test, specified by design

2) Specified  $R_{thJA}$  value is according to Jedec JESD51-2,-5,-7 at natural convection on FR4 2s2p board; The Product (Chip+Package) was simulated on a 76.2 x 114.3 x 1.5 mm<sup>3</sup> board with 2 inner copper layers (2 x 70µm Cu, 2 x 35µm Cu). Where applicable a thermal via array under the exposed pad contacted the first inner copper layer.

3) Specified  $R_{thJA}$  value is according to JEDEC JESD 51-3 at natural convection on FR4 1s0p board; The Product (Chip+Package) was simulated on a 76.2 x 114.3 x 1.5 mm<sup>3</sup> board with 1 copper layer (1 x 70µm Cu).

## 5 Block Description and Electrical Characteristics

### 5.1 Voltage Regulator

The output voltage  $V_Q$  is controlled by comparing a portion of it to an internal reference and driving a PNP pass transistor accordingly. The control loop stability depends on the output capacitor  $C_Q$ , the load current, the chip temperature and the poles/zeros introduced by the integrated circuit. To ensure stable operation, the output capacitor's capacitance and its equivalent series resistor ESR requirements given in the table **“Functional Range” on Page 9** have to be maintained. For details see also the typical performance graph **“Output Capacitor Series Resistor ESR(CQ) versus Output Current IQ” on Page 14**. As the output capacitor also has to buffer load steps it should be sized according to the application's needs.

An input capacitor  $C_I$  is strongly recommended to compensate line influences. Connect the capacitors close to the component's terminals.

A protection circuitry prevent the IC as well as the application from destruction in case of catastrophic events. These safeguards contain an output current limitation, a reverse polarity protection as well as a thermal shutdown in case of overtemperature.

In order to avoid excessive power dissipation that could never be handled by the pass element and the package, the maximum output current is decreased at input voltages above  $V_I = 22\text{ V}$ .

The thermal shutdown circuit prevents the IC from immediate destruction under fault conditions (e.g. output continuously short-circuited) by switching off the power stage. After the chip has cooled down, the regulator restarts. This leads to an oscillatory behaviour of the output voltage until the fault is removed. However, junction temperatures above  $150\text{ °C}$  are outside the maximum ratings and therefore significantly reduce the IC's lifetime.

The TLE42794 allows a negative supply voltage. In this fault condition, small currents are flowing into the IC, increasing its junction temperature. This has to be considered for the thermal design, respecting that the thermal protection circuit is not operating during reverse polarity conditions.

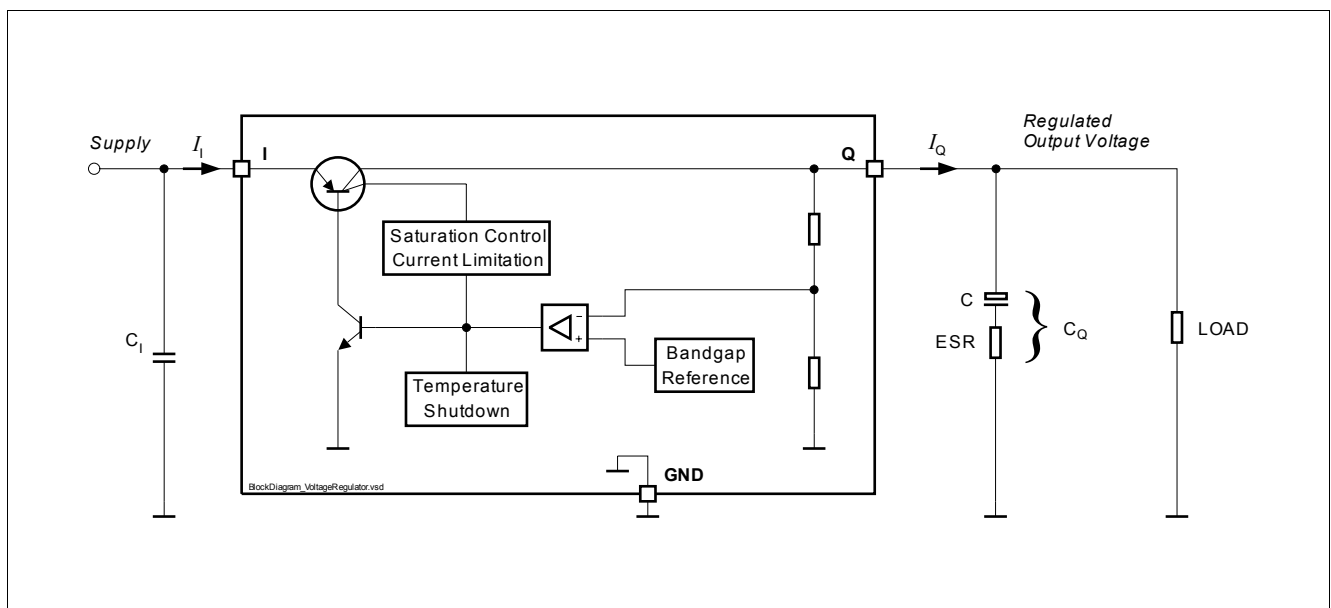


Figure 5 Voltage Regulator

## 5.2 Electrical Characteristics Voltage Regulator

### Electrical Characteristics Voltage Regulator

$V_I = 13.5\text{ V}$ ,  $-40\text{ °C} \leq T_j \leq 150\text{ °C}$ , all voltages with respect to ground, positive current flowing into pin (unless otherwise specified)

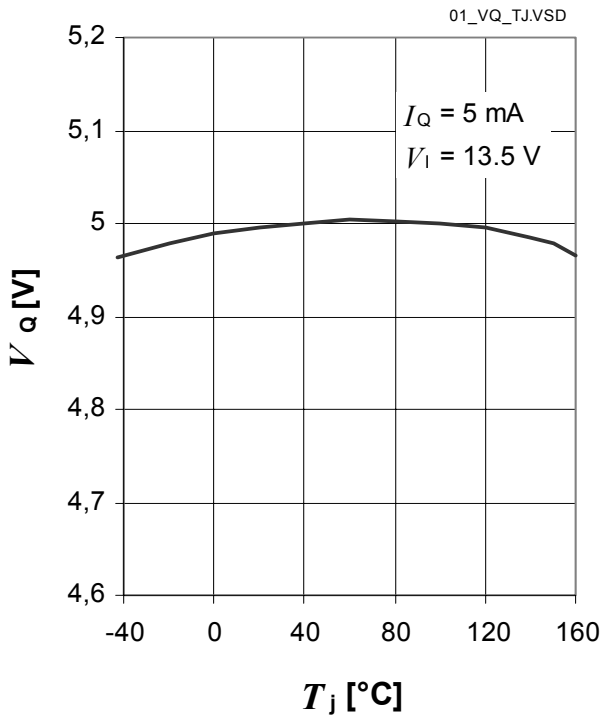
Pos.	Parameter	Symbol	Limit Values			Unit	Conditions
			Min.	Typ.	Max.		
5.2.1	Output Voltage	$V_Q$	4.9	5.0	5.1	V	$100\ \mu\text{A} < I_Q < 100\ \text{mA}$ $6\ \text{V} < V_I < 18\ \text{V}$
5.2.2	Output Current Limitation	$I_{Q,max}$	150	200	500	mA	$V_Q = 4.8\text{V}$
5.2.3	Load Regulation steady-state	$\Delta V_{Q,load}$	-30	-15	–	mV	$I_Q = 5\ \text{mA to } 100\ \text{mA}$ $V_I = 6\ \text{V}$
5.2.4	Line Regulation steady-state	$\Delta V_{Q,line}$	–	10	40	mV	$V_I = 6\ \text{V to } 32\ \text{V}$ $I_Q = 5\ \text{mA}$
5.2.5	Dropout Voltage <sup>1)</sup> $V_{dr} = V_I - V_Q$	$V_{dr}$	–	250	500	mV	$I_Q = 100\ \text{mA}$
5.2.6	Overtemperature Shutdown Threshold	$T_{j,sd}$	151	–	200	°C	$T_j$ increasing <sup>2)</sup>
5.2.7	Overtemperature Shutdown Threshold Hysteresis	$T_{j,sdh}$	–	15	–	°C	$T_j$ decreasing <sup>2)</sup>
5.2.8	Power Supply Ripple Rejection <sup>2)</sup>	$PSRR$	–	70	–	dB	$f_{ripple} = 100\ \text{Hz}$ $V_{ripple} = 0.5\ \text{Vpp}$

1) measured when the output voltage  $V_Q$  has dropped 100mV from the nominal value obtained at  $V_I = 13.5\text{V}$

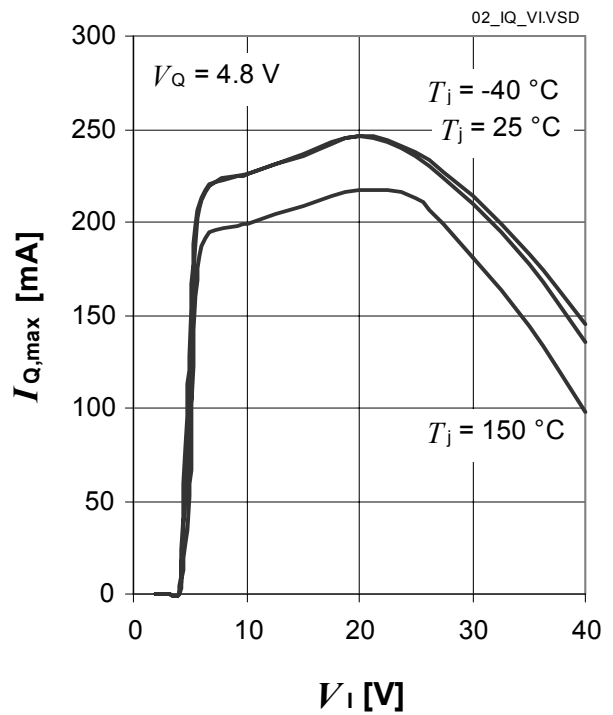
2) not subject to production test, specified by design

### 5.3 Typical Performance Characteristics Voltage Regulator

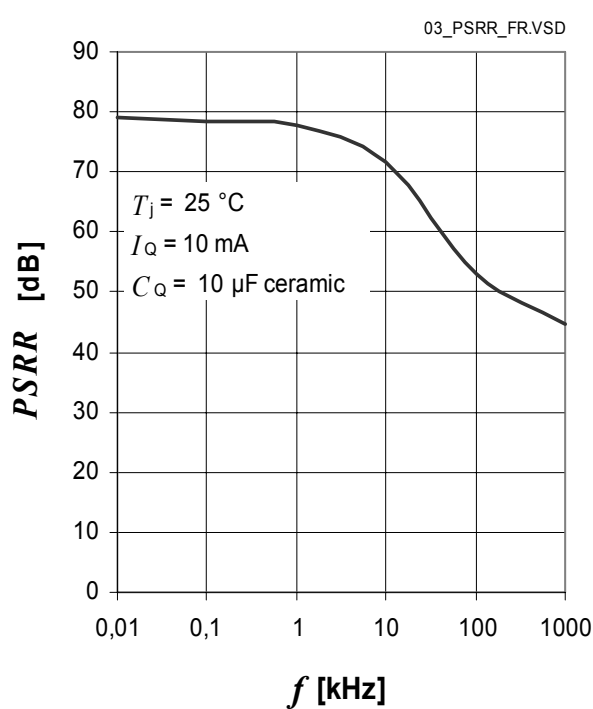
Output Voltage  $V_Q$  versus Junction Temperature  $T_j$



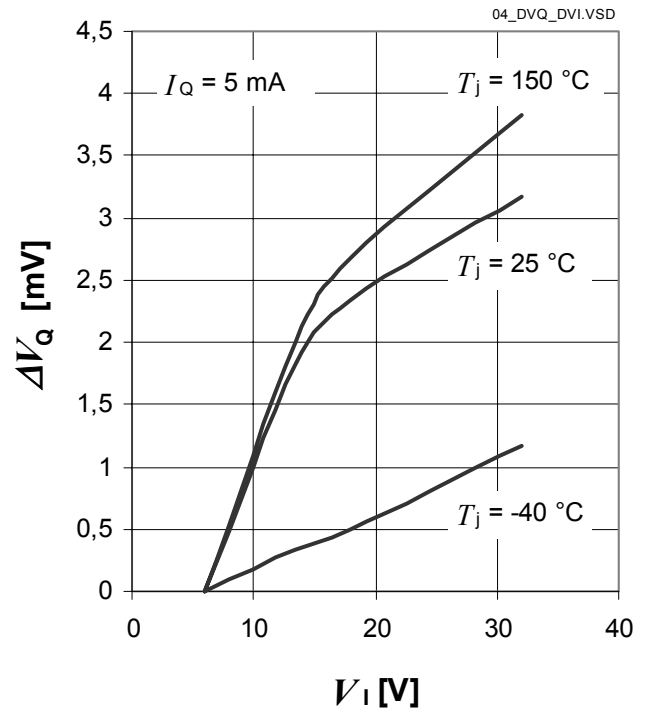
Output Current  $I_Q$  versus Input Voltage  $V_I$



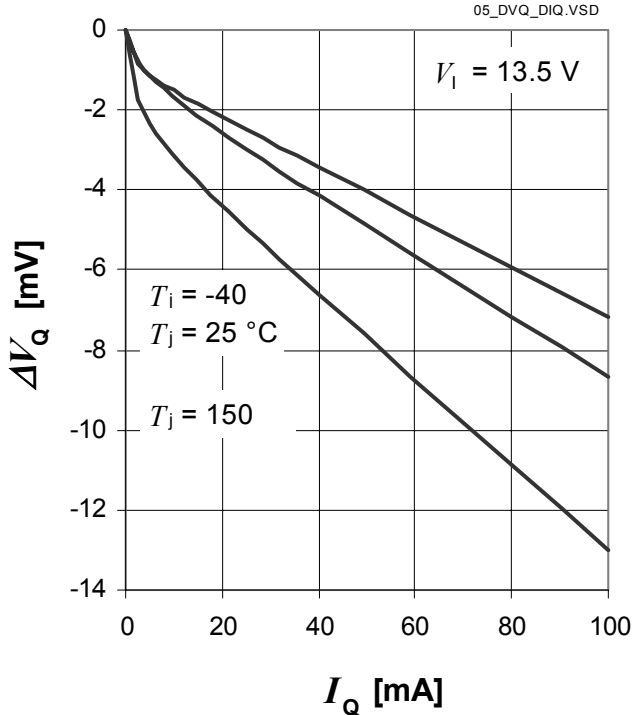
Power Supply Ripple Rejection  $PSRR$  versus ripple frequency  $f_r$



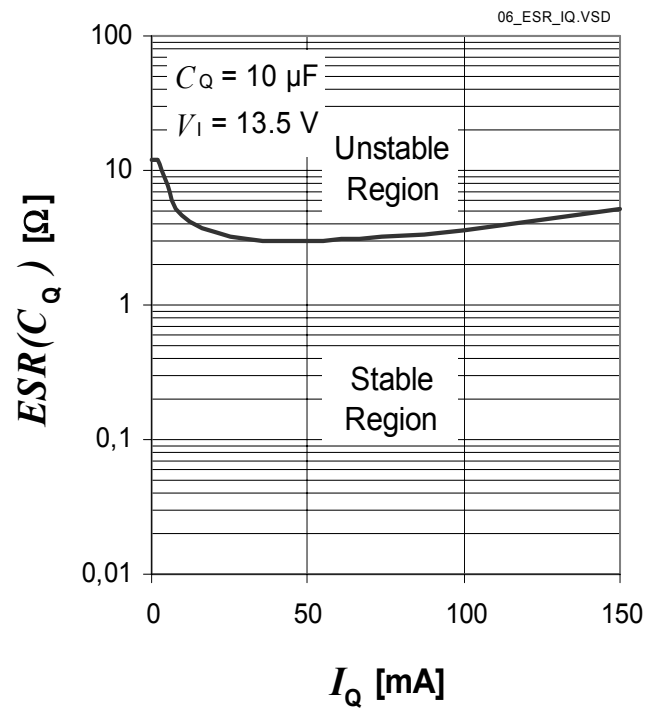
Line Regulation  $\Delta V_{Q,line}$  versus Input Voltage  $V_I$



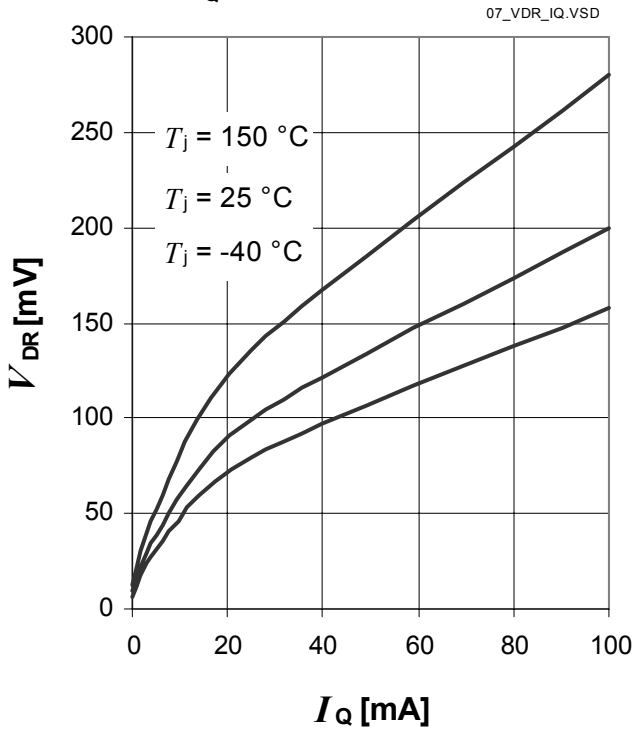
Load Regulation  $\Delta V_{Q,load}$  versus Output Current  $I_Q$



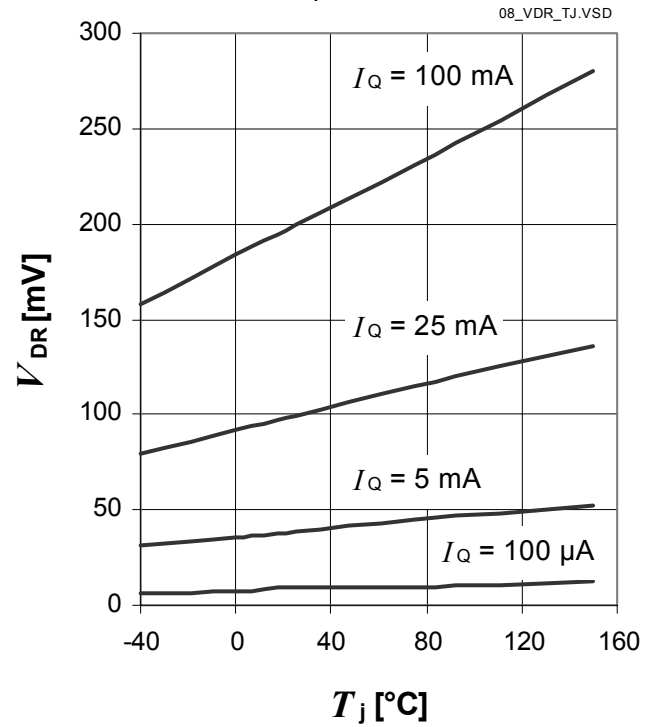
Output Capacitor Series Resistor  $ESR(C_Q)$  versus Output Current  $I_Q$



Dropout Voltage  $V_{dr}$  versus Output Current  $I_Q$



Dropout Voltage  $V_{dr}$  versus Junction Temperature  $T_j$



## 5.4 Current Consumption

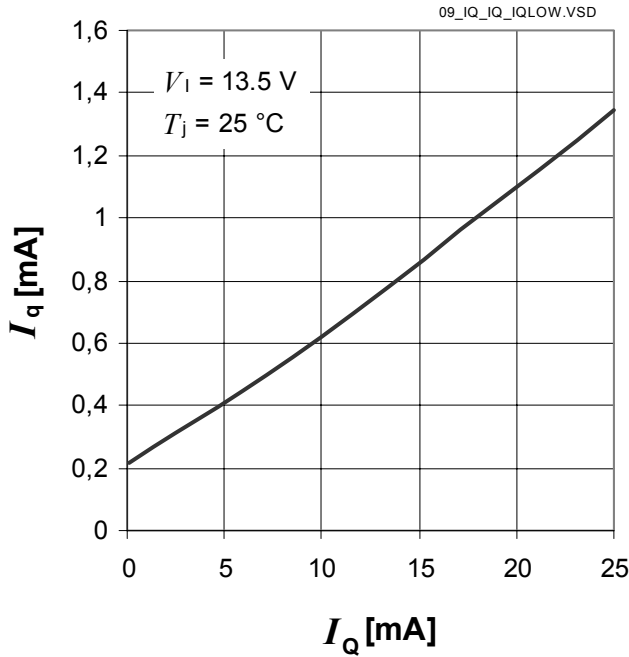
### Electrical Characteristics Voltage Regulator

$V_1 = 13.5 \text{ V}$ ,  $-40 \text{ °C} \leq T_j \leq 150 \text{ °C}$ , all voltages with respect to ground, positive current flowing into pin (unless otherwise specified)

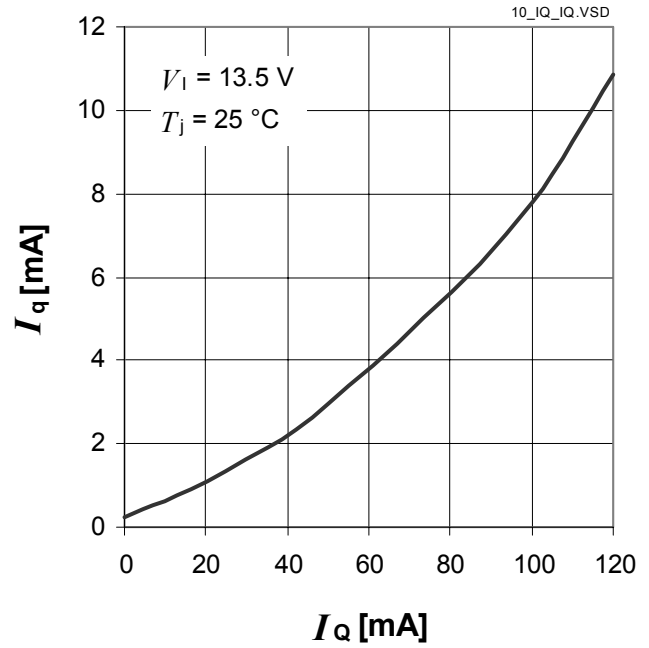
Pos.	Parameter	Symbol	Limit Values			Unit	Conditions
			Min.	Typ.	Max.		
5.4.1	Current Consumption $I_q = I_Q - I_I$	$I_q$	–	210	280	$\mu\text{A}$	$I_Q = 100 \mu\text{A}$ $T_j = 25 \text{ °C}$
5.4.2			–	240	300	$\mu\text{A}$	$I_Q = 100 \mu\text{A}$ $T_j \leq 85 \text{ °C}$
5.4.3			–	0.7	1	mA	$I_Q = 10 \text{ mA}$
5.4.4			–	3.5	8	mA	$I_Q = 50 \text{ mA}$

### 5.5 Typical Performance Characteristics Current Consumption

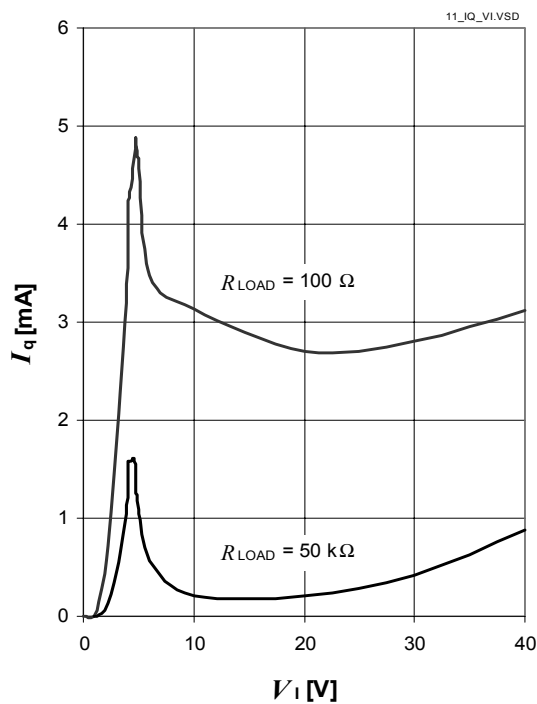
Current Consumption  $I_q$  versus Output Current  $I_Q$  ( $I_Q$  low)



Current Consumption  $I_q$  versus Output Current  $I_Q$



Current Consumption  $I_q$  versus Input Voltage  $V_1$





## 5.6 Reset Function

The reset function provides several features:

### Output Undervoltage Reset:

An output undervoltage condition is indicated by setting the Reset Output RO to “low”. This signal might be used to reset a microcontroller during low supply voltage.

### Power-On Reset Delay Time:

The power-on reset delay time  $t_{rd}$  allows a microcontroller and oscillator to start up. This delay time is the time frame from exceeding the reset switching threshold  $V_{RT}$  until the reset is released by switching the reset output “RO” from “low” to “high”. The power-on reset delay time  $t_{rd}$  is defined by an external delay capacitor  $C_D$  connected to pin D charged by the delay capacitor charge current  $I_{D, ch}$  starting from  $V_D = 0$  V.

If the application needs a power-on reset delay time  $t_{rd}$  different from the value given in [Item 5.6.7](#), the delay capacitor’s value can be derived from the specified values in [Item 5.6.7](#) and the desired power-on delay time:

$$C_D = \frac{t_{rd, new}}{t_{rd}} \times 47 \text{ nF}$$

with

- $C_D$ : capacitance of the delay capacitor to be chosen
- $t_{rd, new}$ : desired power-on reset delay time
- $t_{rd}$ : power-on reset delay time specified in this datasheet

For a precise calculation also take the delay capacitor’s tolerance into consideration.

### Reset Reaction Time:

The reset reaction time avoids that short undervoltage spikes trigger an unwanted reset “low” signal. The reset reaction time  $t_{rr}$  considers the internal reaction time  $t_{rr, int}$  and the discharge time  $t_{rr, d}$  defined by the external delay capacitor  $C_D$  (see typical performance graph for details). Hence, the total reset reaction time becomes:

$$t_{rr} = t_{rr, int} + t_{rr, d}$$

with

- $t_{rr}$ : reset reaction time
- $t_{rr, int}$ : internal reset reaction time
- $t_{rr, d}$ : reset discharge

**Reset Output Pull-Up Resistor  $R_{RO}$ :**

The Reset Output RO is an open collector output requiring an external pull-up resistor. In [Table “Electrical Characteristics Reset Function” on Page 20](#) a minimum value for the external resistor  $R_{RO}$  is given. Keep in mind to stay within the values specified for the Reset Output RO in [Table 4.1 “Absolute Maximum Ratings” on Page 8](#)

**Reset Adjust Function**

The undervoltage reset switching threshold can be adjusted according to the application’s needs by connecting an external voltage divider ( $R_{ADJ1}$ ,  $R_{ADJ2}$ ) at pin RADJ. For selecting the default threshold connect pin RADJ to GND.

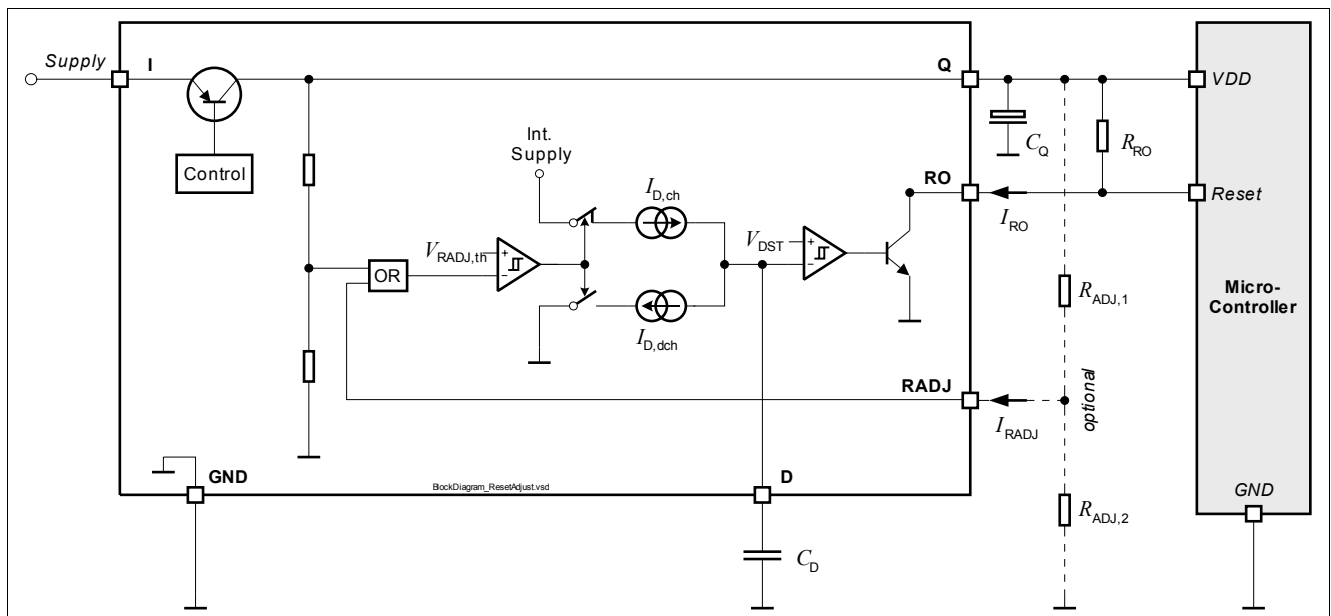
When dimensioning the voltage divider, take into consideration that there will be an additional current constantly flowing through the resistors.

With a voltage divider connected, the reset switching threshold  $V_{RT,new}$  is calculated as follows:

$$V_{RT,new} = \frac{R_{ADJ,1} + R_{ADJ,2}}{R_{ADJ,2}} \times V_{RADJ,th}$$

with

- $V_{RT,new}$ : the desired new reset switching threshold
- $R_{ADJ1}$ ,  $R_{ADJ2}$ : resistors of the external voltage divider
- $V_{RADJ,th}$ : reset adjust switching threshold given in [Table “Electrical Characteristics Reset Function” on Page 20](#)



**Figure 6 Block Diagram Reset Function**

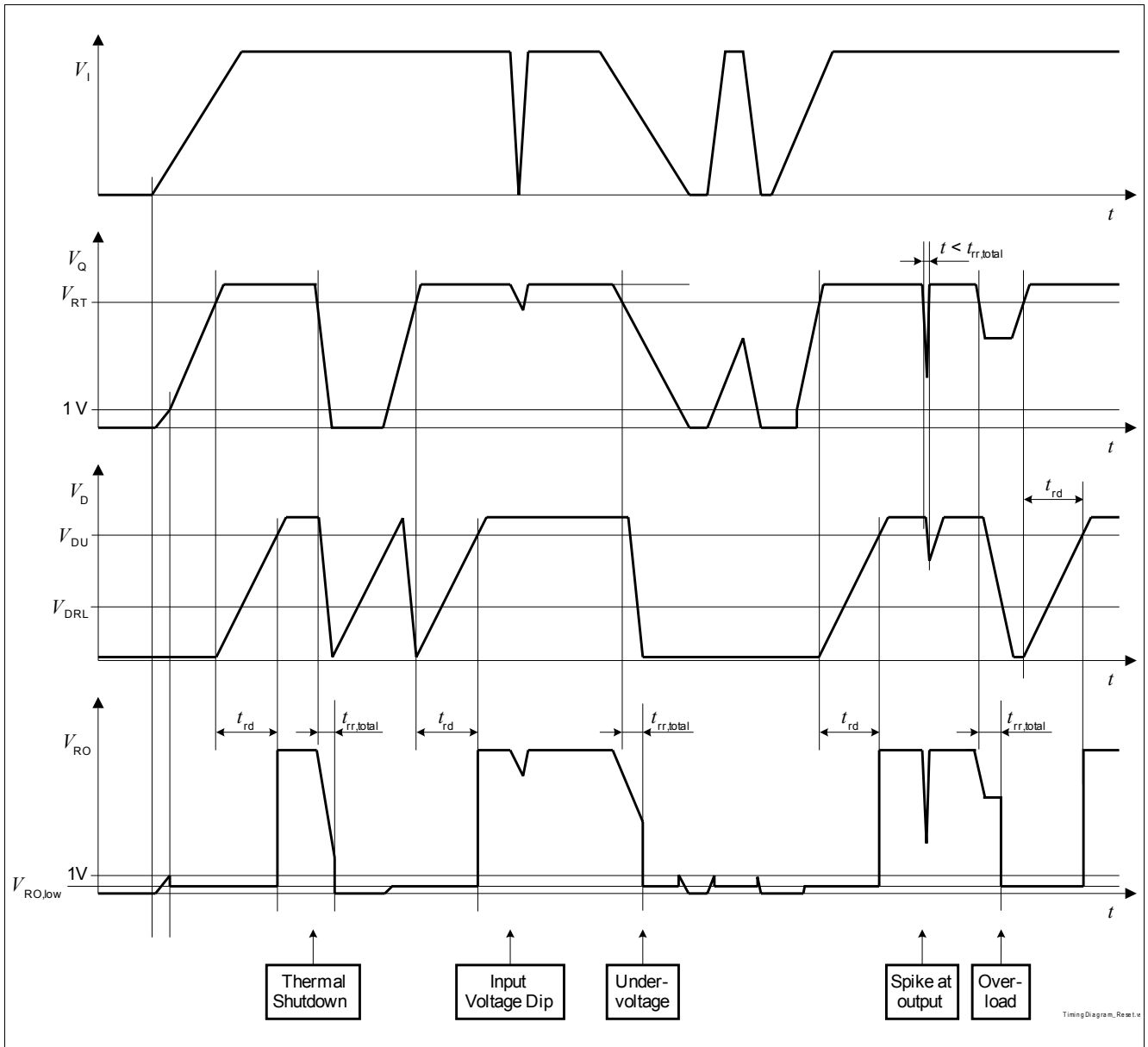


Figure 7 Timing Diagram Reset

**Electrical Characteristics Reset Function**

$V_1 = 13.5 \text{ V}$ ,  $-40 \text{ }^\circ\text{C} \leq T_j \leq 150 \text{ }^\circ\text{C}$ , all voltages with respect to ground, positive current flowing into pin (unless otherwise specified)

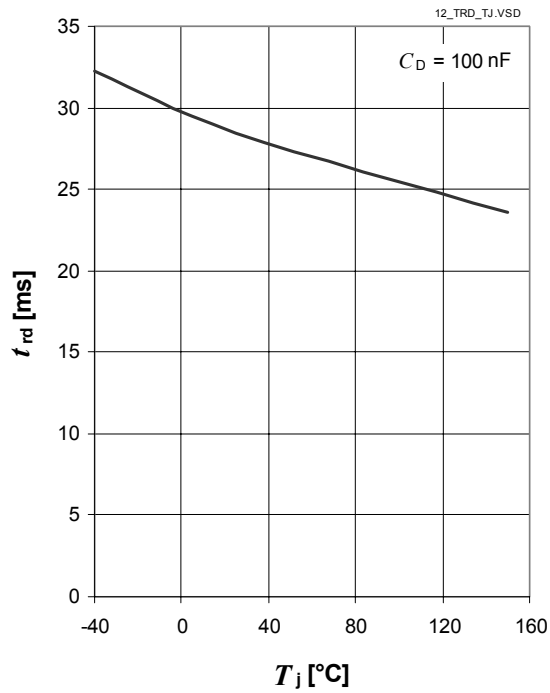
Pos.	Parameter	Symbol	Limit Values			Unit	Conditions
			Min.	Typ.	Max.		
<b>Output Undervoltage Reset</b>							
5.6.1	Default Output Undervoltage Reset Switching Thresholds	$V_{RT}$	4.5	4.65	4.8	V	$V_Q$ decreasing
<b>Output Undervoltage Reset Threshold Adjustment</b>							
5.6.2	Reset Adjust Switching Threshold	$V_{RADJ,th}$	1.26	1.35	1.44	V	$3.5 \text{ V} \leq V_Q < 5 \text{ V}$
5.6.3	Reset Adjustment Range <sup>1)</sup>	$V_{RT,range}$	3.50	–	4.65	V	–
<b>Reset Output RO</b>							
5.6.4	Reset Output Low Voltage	$V_{RO,low}$	–	0.1	0.4	V	$1 \text{ V} \leq V_Q \leq V_{RT}$ external $R_{RO,ext} = 10 \text{ k}\Omega$
5.6.5	Reset Output External Pull-up Resistor to $V_Q$	$R_{RO,ext}$	10	–	–	k $\Omega$	$1 \text{ V} \leq V_Q \leq V_{RT}$ ; $V_{RO} \leq 0.4 \text{ V}$
<b>Reset Delay Timing</b>							
5.6.6	Delay Pin Output Voltage	$V_D$	–	–	5	V	–
5.6.7	Power On Reset Delay Time	$t_{rd}$	17	28	39	ms	$C_D = 100 \text{ nF}$
5.6.8	Upper Delay Switching Threshold	$V_{DU}$	–	1.8	–	V	–
5.6.9	Lower Delay Switching Threshold	$V_{DL}$	–	0.45	–	V	–
5.6.10	Delay Capacitor Charge Current	$I_{D,ch}$	–	6.5	–	$\mu\text{A}$	$V_D = 1 \text{ V}$
5.6.11	Delay Capacitor Reset Discharge Current	$I_{D,dch}$	–	70	–	mA	$V_D = 1 \text{ V}$
5.6.12	Delay Capacitor Discharge Time	$t_{rr,d}$	–	1.9	3	$\mu\text{s}$	Calculated Value: $t_{rr,d} = C_D \cdot (V_{DU} - V_{DL}) / I_{D,dch}$ $C_D = 100 \text{ nF}$
5.6.13	Internal Reset Reaction Time	$t_{rr,int}$	–	3	7	$\mu\text{s}$	$C_D = 0 \text{ nF}$ <sup>2)</sup>
5.6.14	Reset Reaction Time	$t_{rr,total}$	–	4.9	10	$\mu\text{s}$	Calculated Value: $t_{rr,total} = t_{rr,int} + t_{rr,d}$ $C_D = 100 \text{ nF}$

1)  $V_{RT}$  is scaled linearly, in case the Reset Switching Threshold is modified

2) parameter not subject to production test; specified by design

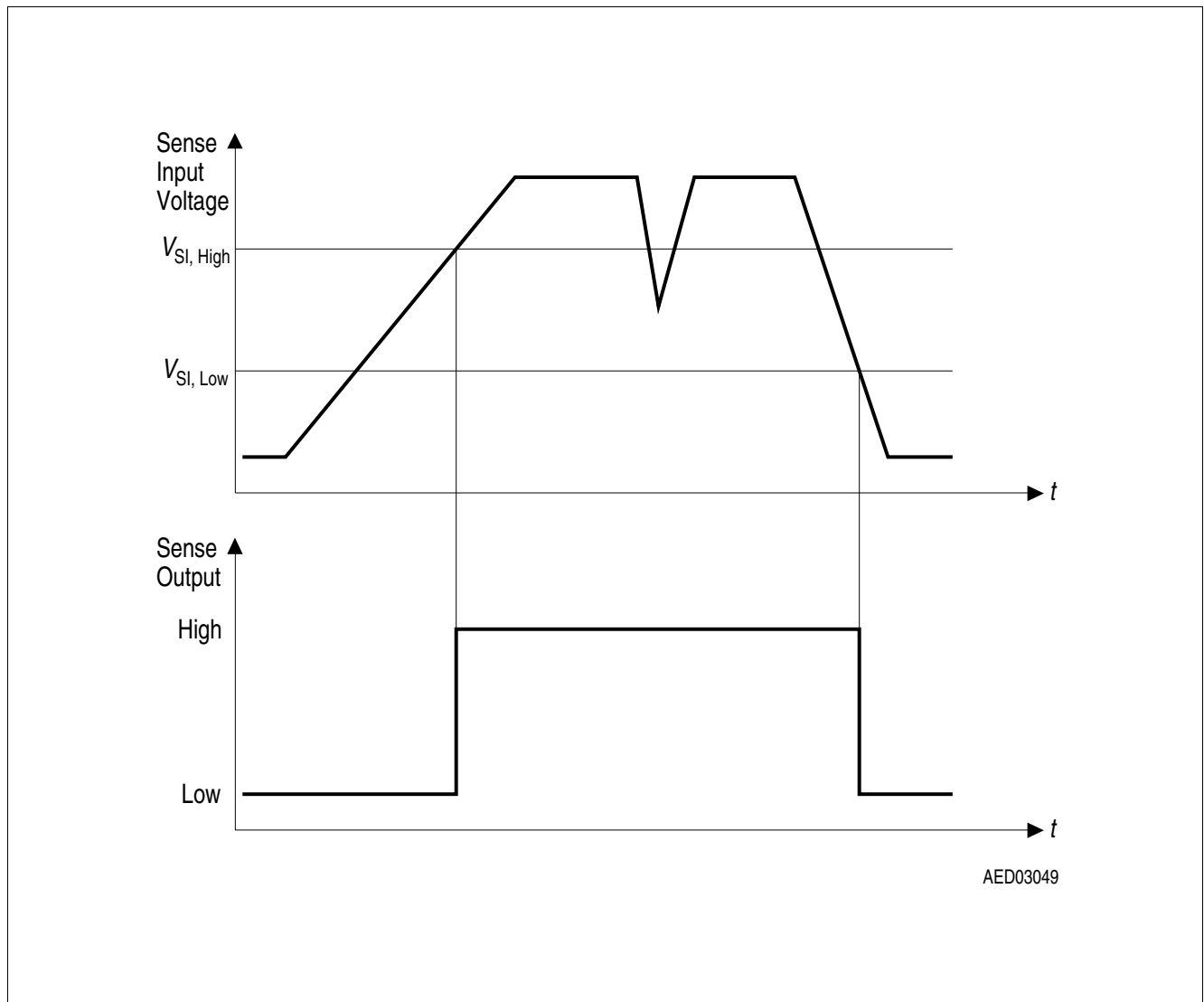
## 5.7 Typical Performance Characteristics Reset

Power On Reset Delay Time  $t_{rd}$  versus Junction Temperature  $T_j$



### 5.8 Early Warning Function

The additional sense comparator provides an early warning function: Any voltage (e.g. the input voltage) can be monitored, an undervoltage condition is indicated by setting the comparator's output to low.



AED03049

Figure 8 Sense Timing Diagram

#### Electrical Characteristics Early Warning Function

$V_I = 13.5\text{ V}$ ,  $-40\text{ }^\circ\text{C} \leq T_j \leq 150\text{ }^\circ\text{C}$ , all voltages with respect to ground, positive current flowing into pin (unless otherwise specified)

Pos.	Parameter	Symbol	Limit Values			Unit	Conditions
			Min.	Typ.	Max.		
<b>Sense Comparator Input</b>							
5.8.1	Sense Threshold High	$V_{SI,high}$	1.24	1.31	1.38	V	–
5.8.2	Sense Threshold Low	$V_{SI,low}$	1.16	1.22	1.28	V	–
5.8.3	Sense Switching Hysteresis	$V_{SI,hy}$	20	90	160	mV	–
5.8.4	Sense Input Current	$I_{SI}$	-1	-0.1	1	$\mu\text{A}$	–

Block Description and Electrical Characteristics

**Electrical Characteristics Early Warning Function**

$V_1 = 13.5 \text{ V}$ ,  $-40 \text{ }^\circ\text{C} \leq T_j \leq 150 \text{ }^\circ\text{C}$ , all voltages with respect to ground, positive current flowing into pin (unless otherwise specified)

Pos.	Parameter	Symbol	Limit Values			Unit	Conditions
			Min.	Typ.	Max.		
<b>Sense Comparator Output</b>							
5.8.5	Sense Output Low Voltage	$V_{SO,low}$	–	0.1	0.4	V	$V_{SI} < V_{SI,low}$ $V_1 > 5.5 \text{ V}$ $R_{SO,ext} = 10 \text{ k}\Omega$
5.8.6	Sense Output External Pull-up Resistor to $V_Q$	$R_{SO,ext}$	10	–	–	k $\Omega$	$V_1 > 5.5 \text{ V}$ $V_{SO} \leq 0.4 \text{ V}$

## 6 Package Outlines

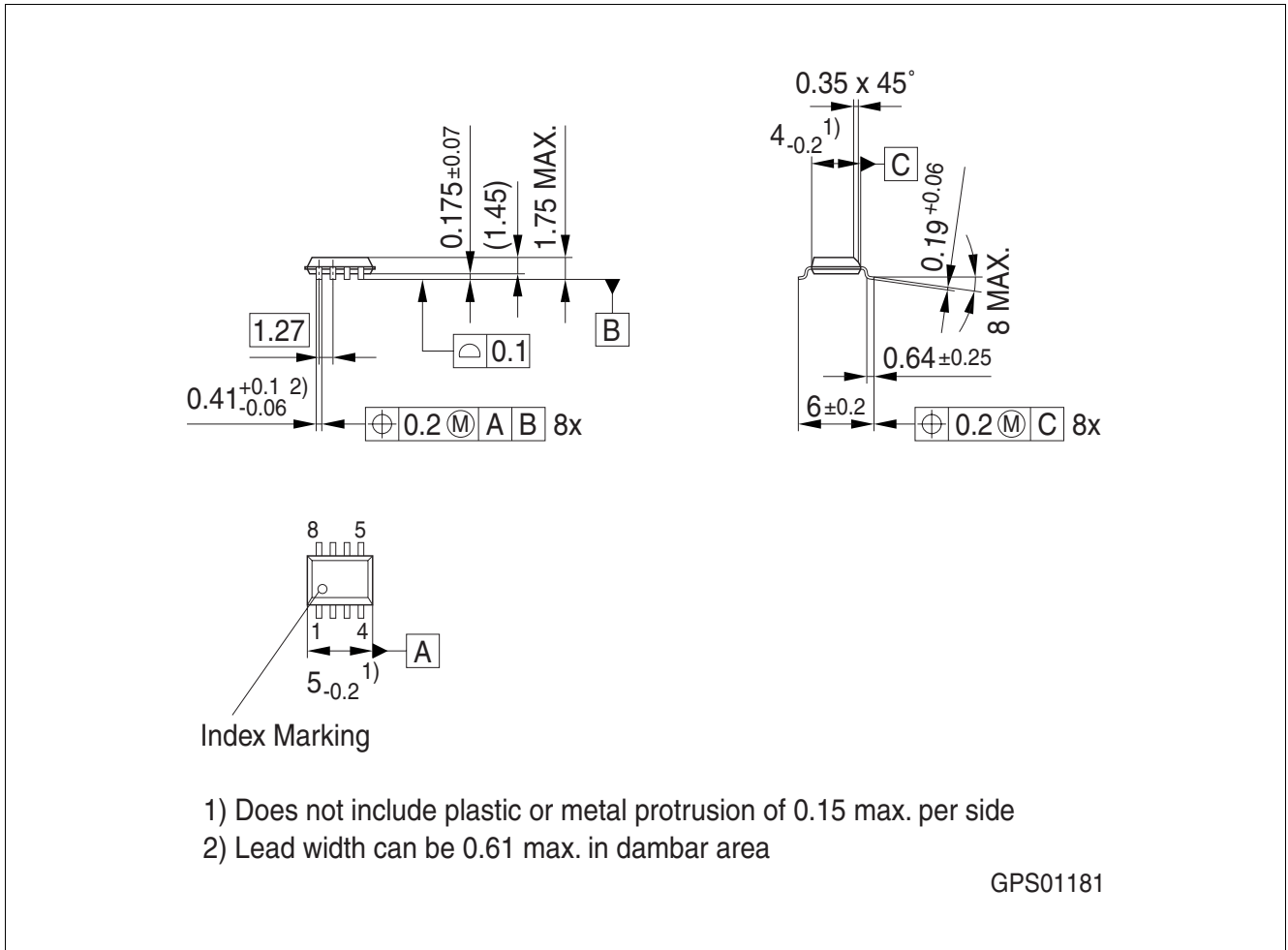


Figure 9 PG-DSO-8



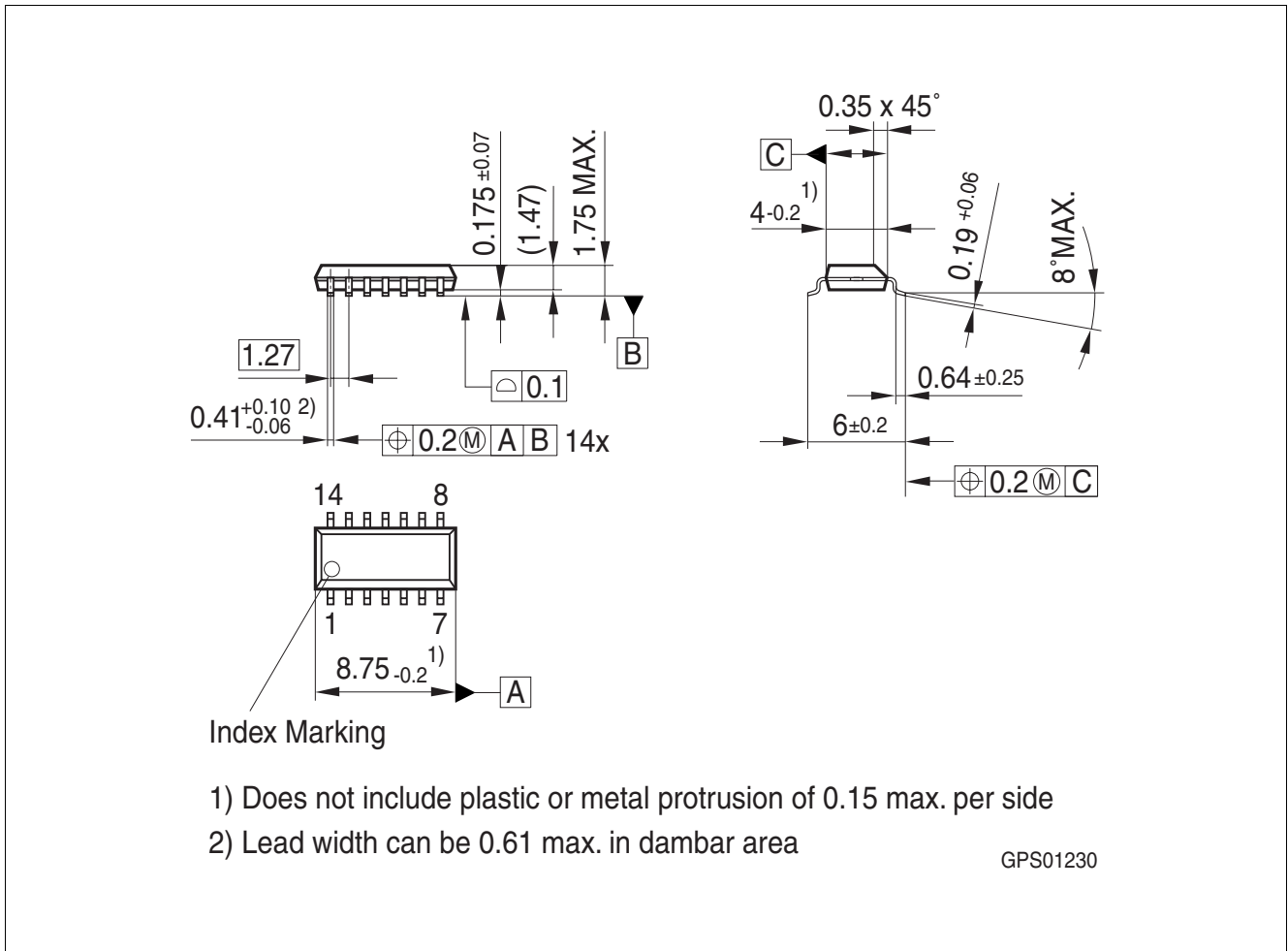


Figure 10 PG-DSO-14

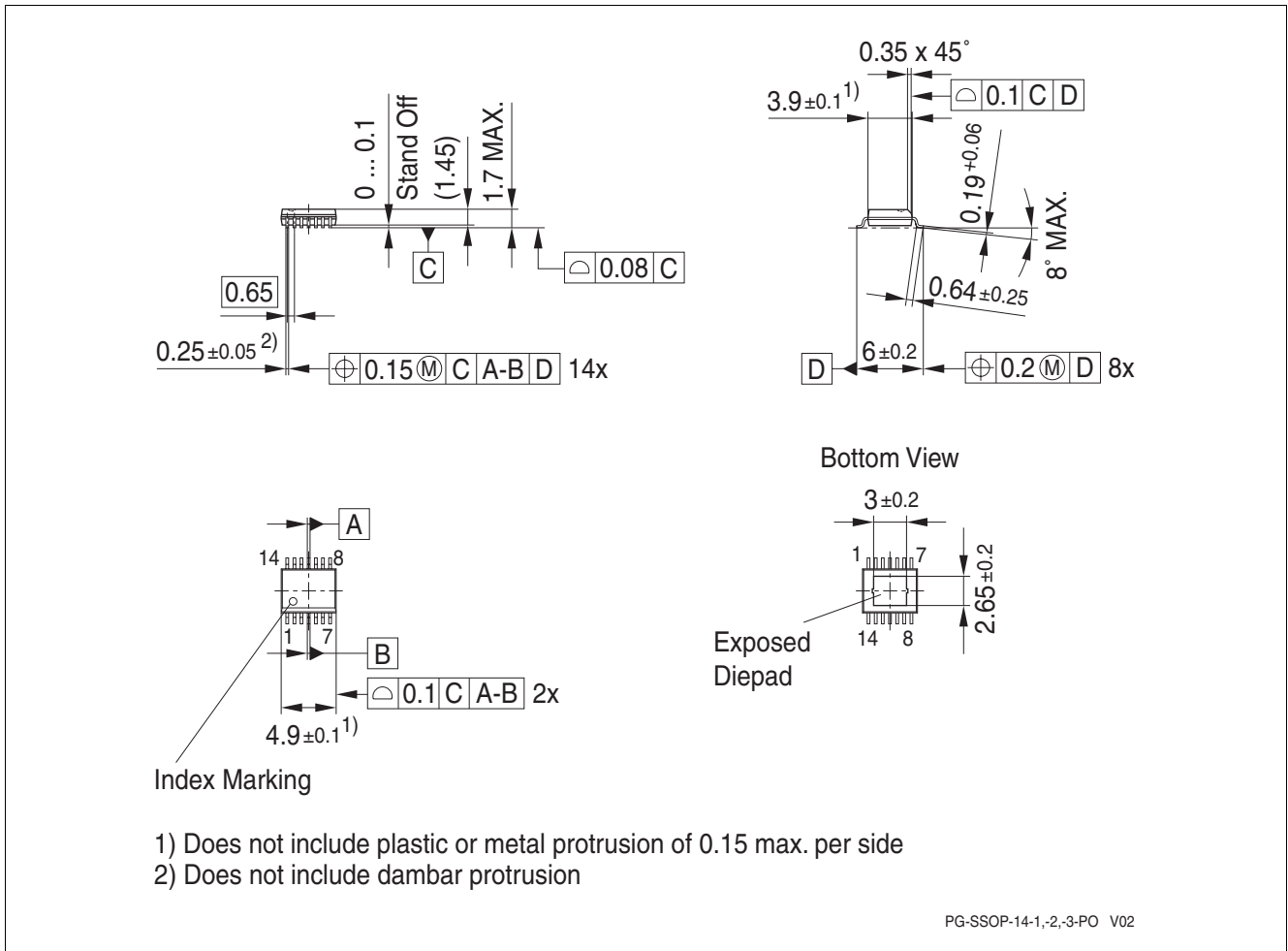


Figure 11 PG-SSOP-14 exposed pad

**Green Product (RoHS compliant)**

To meet the world-wide customer requirements for environmentally friendly products and to be compliant with government regulations the device is available as a green product. Green products are RoHS-Compliant (i.e Pb-free finish on leads and suitable for Pb-free soldering according to IPC/JEDEC J-STD-020).

For further information on alternative packages, please visit our website:  
<http://www.infineon.com/packages>.

Dimensions in mm

## 7 Revision History

Revision	Date	Changes
1.1	2008-10-09	package version TLE42794E in PG-SSOP-14 exposed pad and all related information added
		In <b>“Overview” on Page 2</b> package graphic for PG-SSOP-14 exposed pad and product name “TLE42794E” added
		In <b>Chapter 3 “Pin Assignment TLE42794E (PG-SSOP-14 exposed pad)” on Page 7</b> and <b>“Pin Definitions and Functions TLE42794E (PG-SSOP-14 exposed pad)” on Page 7</b> added
		In <b>“Thermal Resistance” on Page 10</b> values for TLE42794E added
		In <b>“Package Outlines” on Page 24</b> outlines for TLE4279E added
1.0	2008-09-19	initial version data sheet

**Edition 2008-10-09**

**Published by  
Infineon Technologies AG  
81726 Munich, Germany**

**© 2008 Infineon Technologies AG  
All Rights Reserved.**

### **Legal Disclaimer**

The information given in this document shall in no event be regarded as a guarantee of conditions or characteristics. With respect to any examples or hints given herein, any typical values stated herein and/or any information regarding the application of the device, Infineon Technologies hereby disclaims any and all warranties and liabilities of any kind, including without limitation, warranties of non-infringement of intellectual property rights of any third party.

### **Information**

For further information on technology, delivery terms and conditions and prices, please contact the nearest Infineon Technologies Office ([www.infineon.com](http://www.infineon.com)).

### **Warnings**

Due to technical requirements, components may contain dangerous substances. For information on the types in question, please contact the nearest Infineon Technologies Office.

Infineon Technologies components may be used in life-support devices or systems only with the express written approval of Infineon Technologies, if a failure of such components can reasonably be expected to cause the failure of that life-support device or system or to affect the safety or effectiveness of that device or system. Life support devices or systems are intended to be implanted in the human body or to support and/or maintain and sustain and/or protect human life. If they fail, it is reasonable to assume that the health of the user or other persons may be endangered.