

DATA SHEET



TDA8752

Triple high speed Analog-to-Digital Converter (ADC)

Product specification
Supersedes data of 1998 Aug 11
File under Integrated Circuits, IC02

1999 Mar 09

Triple high speed Analog-to-Digital Converter (ADC)

TDA8752

FEATURES

- Triple 8-bit ADC
- Sampling rate up to 100 MHz
- IC controllable via a serial interface, which can be either I²C-bus or 3-wire, selected via a TTL input pin
- IC analog voltage input from 0.4 to 1.2 V (p-p) to produce full-scale ADC input of 1 V (p-p)
- 3 clamps for programming a clamping code between -63.5 and +64 in steps of 1/2LSB
- 3 controllable amplifiers: gain controlled via the serial interface to produce a full scale resolution of 1/2LSB peak-to-peak
- Amplifier bandwidth of 250 MHz
- Low gain variation with temperature
- PLL, controllable via the serial interface to generate the ADC clock, which can be locked to a line frequency from 15 to 280 kHz
- Integrated PLL divider
- Programmable phase clock adjustment cells
- Internal voltage regulators
- TTL compatible digital inputs and outputs
- Chip enable high-impedance ADC output
- Power-down mode
- Possibility to use up to four ICs in the same system, using the I²C-bus interface, or more, using the 3-wire serial interface
- 1 W power dissipation.

APPLICATIONS

- R, G and B high speed digitizing
- LCD panels drive
- LCD projection systems
- VGA and higher resolutions
- Using two ICs in parallel, higher display resolution can be obtained; 200 MHz pixel frequency.

ORDERING INFORMATION

TYPE NUMBER	PACKAGE			SAMPLING FREQUENCY (MHz)
	NAME	DESCRIPTION	VERSION	
TDA8752H/6	QFP100	plastic quad flat package; 100 leads (lead length 1.95 mm); body 14 × 20 × 2.8 mm	SOT317-2	60
TDA8752H/8				100



GENERAL DESCRIPTION

The TDA8752 is a triple 8-bit ADC with controllable amplifiers and clamps for the digitizing of large bandwidth RGB signals.

The clamp level, the gain and all of the other settings are controlled via a serial interface (either I²C-bus or 3-wire serial bus, selected via a logic input).

The IC also includes a PLL that can be locked on the horizontal line frequency and generates the ADC clock. The PLL jitter is minimized for high resolution PC graphics applications. An external clock can also be input to the ADC.

It is possible to set the TDA8752 serial bus address between four fixed values, in the event that several TDA8752 ICs are used in a system, using the I²C-bus interface (for example, two ICs used in an odd/even configuration).

Triple high speed Analog-to-Digital Converter (ADC)

TDA8752

QUICK REFERENCE DATA

SYMBOL	PARAMETER	CONDITIONS	MIN.	TYP.	MAX.	UNIT
V _{CCA}	analog supply voltage	for R, G and B channels	4.75	5.0	5.25	V
V _{DDD}	logic supply voltage	for I ² C-bus and 3-wire	4.75	5.0	5.25	V
V _{CCD}	digital supply voltage		4.75	5.0	5.25	V
V _{CCO}	output stages supply voltage	for R, G and B channels	4.75	5.0	5.25	V
V _{CCA(PLL)}	analog PLL supply voltage		4.75	5.0	5.25	V
V _{CCO(PLL)}	output PLL supply voltage		4.75	5.0	5.25	V
I _{CCA}	analog supply current		–	120	–	mA
I _{DDD}	logic supply current	for I ² C-bus and 3-wire	–	1.0	–	mA
I _{CCD}	digital supply current		–	40	–	mA
I _{CCO}	output stages supply current	f _{CLK} = 100 MHz; ramp input	–	6	–	mA
I _{CCA(PLL)}	analog PLL supply current		–	28	–	mA
I _{CCO(PLL)}	output PLL supply current		–	5	–	mA
f _{CLK}	maximum clock frequency	TDA8752/6	60	–	–	MHz
		TDA8752/8	100	–	–	MHz
f _{ref(PLL)}	PLL reference clock frequency		15	–	280	kHz
f _{VCO}	VCO output clock frequency		12	–	100	MHz
INL	DC integral non linearity	from analog input to digital output; full-scale; ramp input; f _{CLK} = 100 MHz	–	±0.5	±1.5	LSB
DNL	DC differential non linearity	from analog input to digital output; full-scale; ramp input; f _{CLK} = 100 MHz	–	±0.5	±1.0	LSB
ΔG _{amp} /T	amplifier gain stability as a function of temperature	V _{ref} = 2.5 V with 100 ppm/°C maximum	–	–	200	ppm/°C
B	amplifier bandwidth	–3 dB; T _{amb} = 25 °C	250	–	–	MHz
t _{set}	settling time of the ADC block plus AGC	input signal settling time < 1 ns; T _{amb} = 25 °C	–	–	6	ns
DR _{PLL}	PLL divider ratio		100	–	4095	
P _{tot}	total power consumption	f _{CLK} = 100 MHz; ramp input	–	1.0	–	W
j _{PLL(rms)}	maximum PLL phase jitter (RMS value)	f _{ref} = 66.67 kHz; f _{CLK} = 100 MHz	–	0.3	–	ns

Triple high speed Analog-to-Digital Converter (ADC)

TDA8752

BLOCK DIAGRAM

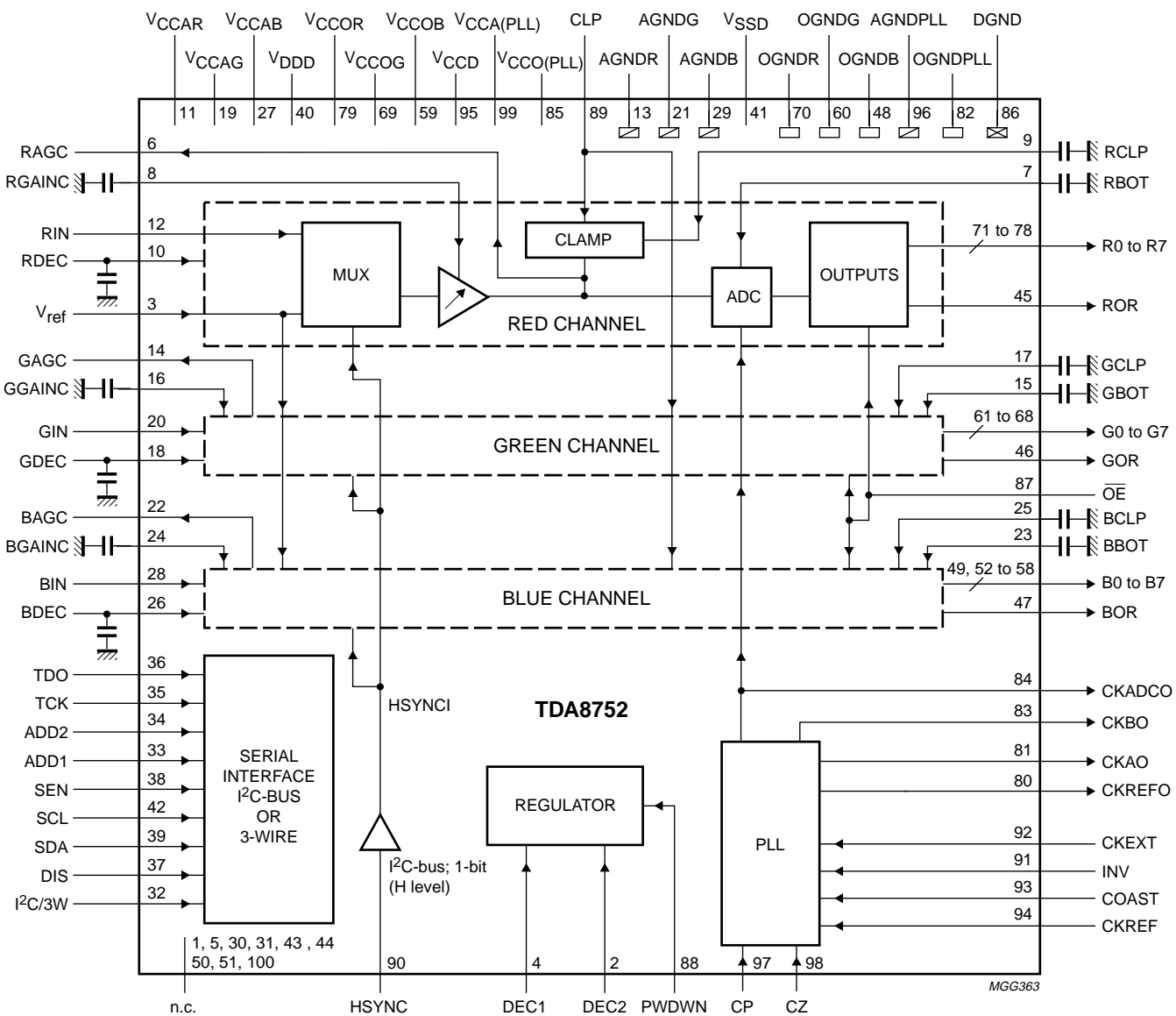


Fig.1 Block diagram.

Triple high speed Analog-to-Digital Converter (ADC)

TDA8752

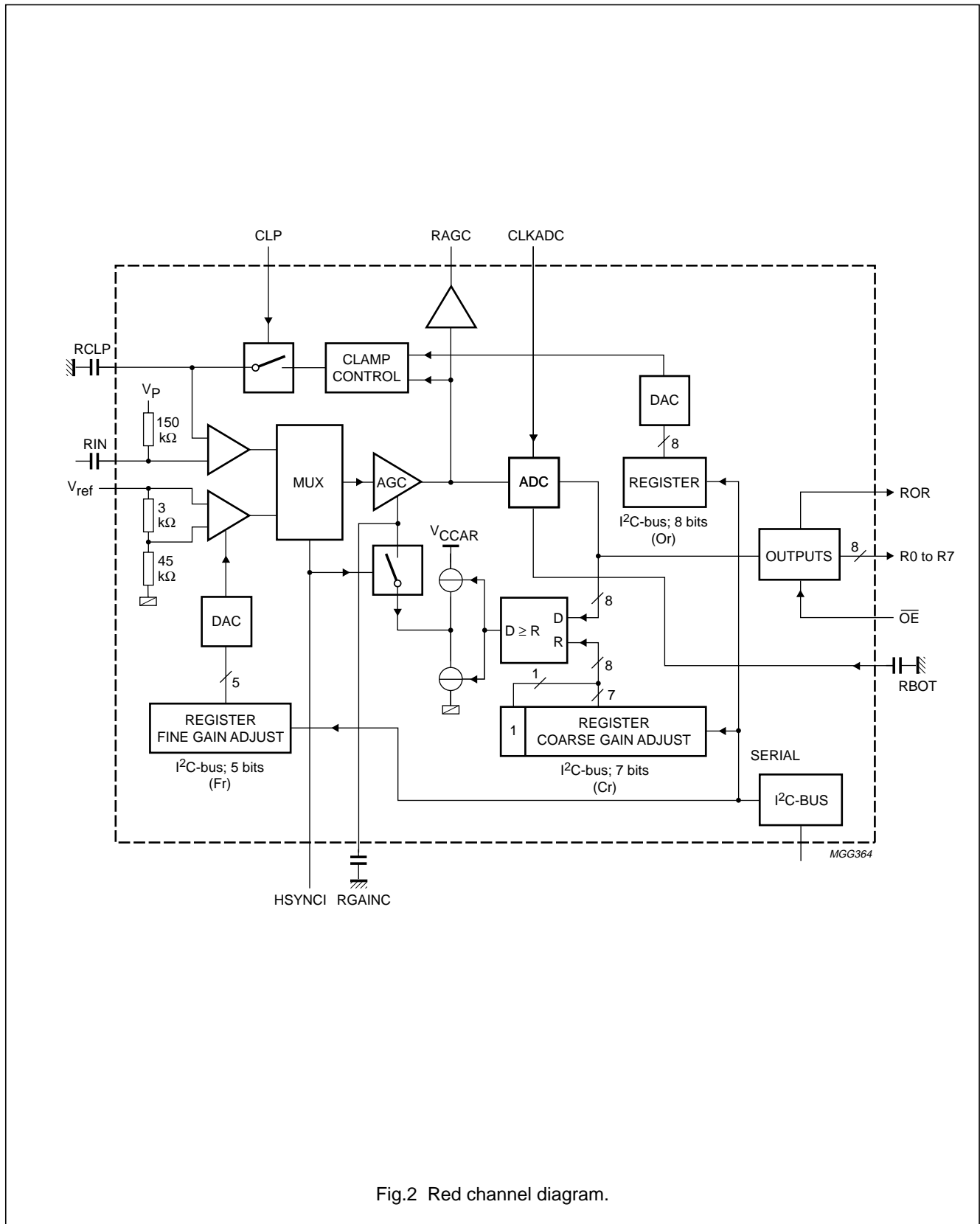


Fig.2 Red channel diagram.

Triple high speed Analog-to-Digital Converter (ADC)

TDA8752

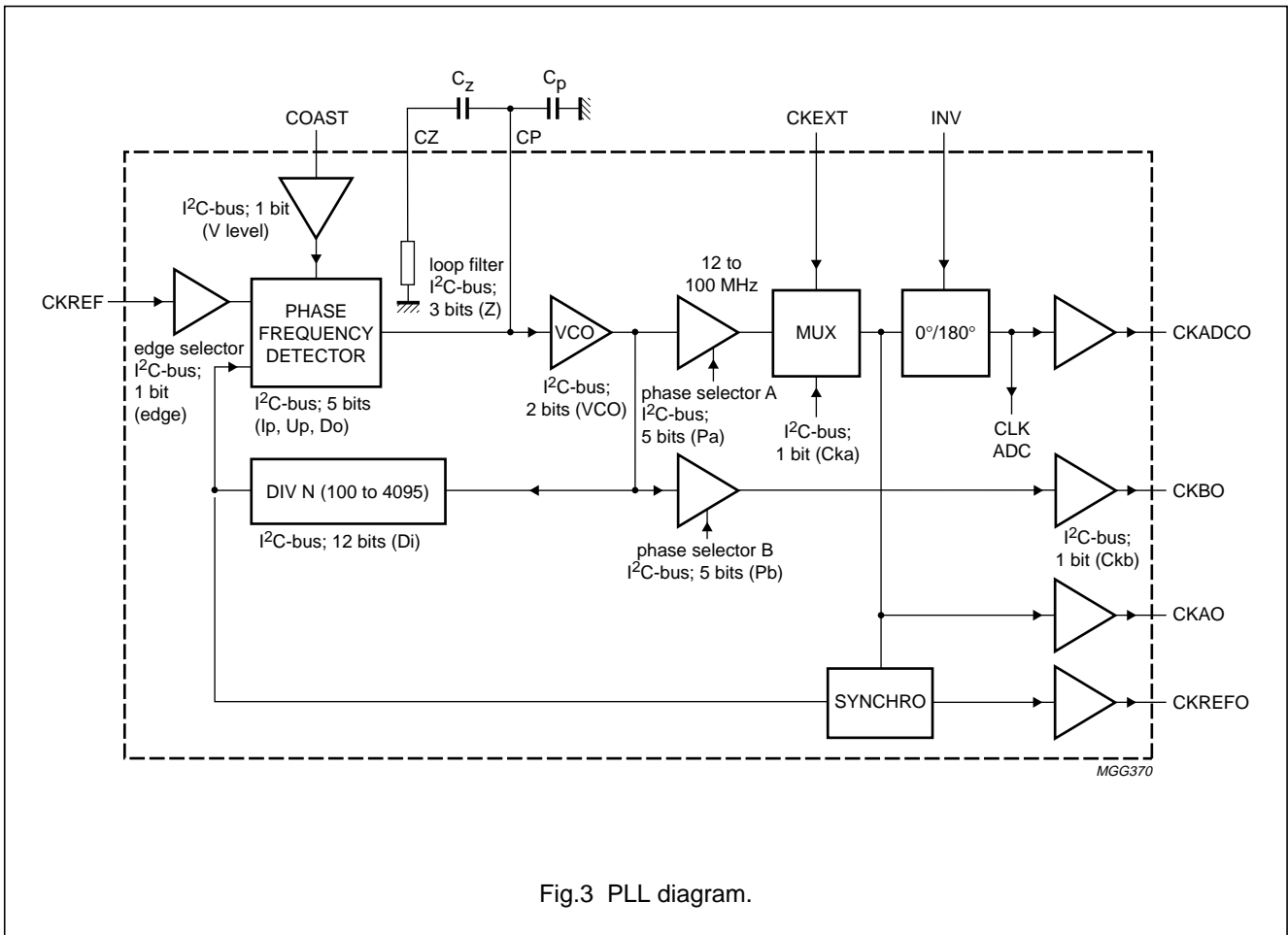


Fig.3 PLL diagram.

Triple high speed Analog-to-Digital Converter (ADC)

TDA8752

PINNING

SYMBOL	PIN	DESCRIPTION
n.c.	1	not connected
DEC2	2	main regulator decoupling input
V _{ref}	3	gain stabilizer voltage reference input
DEC1	4	main regulator decoupling input
n.c.	5	not connected
RAGC	6	red channel AGC output
RBOT	7	red channel ladder decoupling input (BOT)
RGAINC	8	red channel gain capacitor input
RCLP	9	red channel gain clamp capacitor input
RDEC	10	red channel gain regulator decoupling input
V _{CCAR}	11	red channel gain analog power supply
RIN	12	red channel gain analog input
AGNDR	13	red channel gain analog ground
GAGC	14	green channel AGC output
GBOT	15	green channel ladder decoupling input (BOT)
GGAINC	16	green channel gain capacitor input
GCLP	17	green channel gain clamp capacitor input
GDEC	18	green channel gain regulator decoupling input
V _{CCAG}	19	green channel gain analog power supply
GIN	20	green channel gain analog input
AGNDG	21	green channel gain analog ground
BAGC	22	blue channel AGC output
BBOT	23	blue channel ladder decoupling input (BOT)
BGAINC	24	blue channel gain capacitor input
BCLP	25	blue channel gain clamp capacitor input
BDEC	26	blue channel gain regulator decoupling input
V _{CCAB}	27	blue channel gain analog power supply
BIN	28	blue channel gain analog input
AGNDB	29	blue channel gain analog ground
n.c.	30	not connected
n.c.	31	not connected
I ² C/3W	32	selection input between I ² C-bus (active HIGH) and 3-wire serial bus (active LOW)
ADD1	33	I ² C-bus address control input 1
ADD2	34	I ² C-bus address control input 2
TCK	35	scan test mode (active HIGH)

Triple high speed Analog-to-Digital Converter (ADC)

TDA8752

SYMBOL	PIN	DESCRIPTION
TDO	36	scan test output
DIS	37	I ² C and 3W disable control input (disable at HIGH level)
SEN	38	select enable for 3-wire serial bus input (see Fig.10)
SDA	39	I ² C/3W serial data input
V _{DDD}	40	logic I ² C/3W digital power supply
V _{SSD}	41	logic I ² C/3W digital ground
SCL	42	I ² C/3W serial clock input
n.c.	43	not connected
n.c.	44	not connected
ROR	45	red channel ADC output bit out of range
GOR	46	green channel ADC output bit out of range
BOR	47	blue channel ADC output bit out of range
OGNDB	48	blue channel ADC output ground
B0	49	blue channel ADC output bit 0 (LSB)
n.c.	50	not connected
n.c.	51	not connected
B1	52	blue channel ADC output bit 1
B2	53	blue channel ADC output bit 2
B3	54	blue channel ADC output bit 3
B4	55	blue channel ADC output bit 4
B5	56	blue channel ADC output bit 5
B6	57	blue channel ADC output bit 6
B7	58	blue channel ADC output bit 7 (MSB)
V _{CCOB}	59	blue channel ADC output power supply
OGNDG	60	green channel ADC output ground
G0	61	green channel ADC output bit 0 (LSB)
G1	62	green channel ADC output bit 1
G2	63	green channel ADC output bit 2
G3	64	green channel ADC output bit 3
G4	65	green channel ADC output bit 4
G5	66	green channel ADC output bit 5
G6	67	green channel ADC output bit 6
G7	68	green channel ADC output bit 7 (MSB)
V _{CCOG}	69	green channel ADC output power supply
OGNDR	70	red channel ADC output ground
R0	71	red channel ADC output bit 0 (LSB)

Triple high speed Analog-to-Digital Converter (ADC)

TDA8752

SYMBOL	PIN	DESCRIPTION
R1	72	red channel ADC output bit 1
R2	73	red channel ADC output bit 2
R3	74	red channel ADC output bit 3
R4	75	red channel ADC output bit 4
R5	76	red channel ADC output bit 5
R6	77	red channel ADC output bit 6
R7	78	red channel ADC output bit 7 (MSB)
V _{CCOR}	79	red channel ADC output power supply
CKREFO	80	reference output clock resynchronized horizontal pulse
CKAO	81	PLL clock output 3 (in phase with reference output clock)
OGNDPLL	82	PLL digital ground
CKBO	83	PLL clock output 2
CKADCO	84	PLL clock output 1 (in phase with internal ADC clock)
V _{CCO(PLL)}	85	PLL output power supply
DGND	86	digital ground
\overline{OE}	87	output enable not (when \overline{OE} is HIGH, the outputs are in high-impedance)
PWDWN	88	power-down control input (IC is in power-down mode when this pin is HIGH)
CLP	89	clamp pulse input (clamp active HIGH)
HSYNC	90	horizontal synchronization input pulse
INV	91	PLL clock output inverter command input (invert when HIGH)
CKEXT	92	external clock input
COAST	93	PLL coast command input
CKREF	94	PLL reference clock input
V _{CCD}	95	digital power supply
AGNDPLL	96	PLL analog ground
CP	97	PLL filter input
CZ	98	PLL filter input
V _{CCAPLL}	99	PLL analog power supply
n.c.	100	not connected

Triple high speed Analog-to-Digital Converter (ADC)

TDA8752

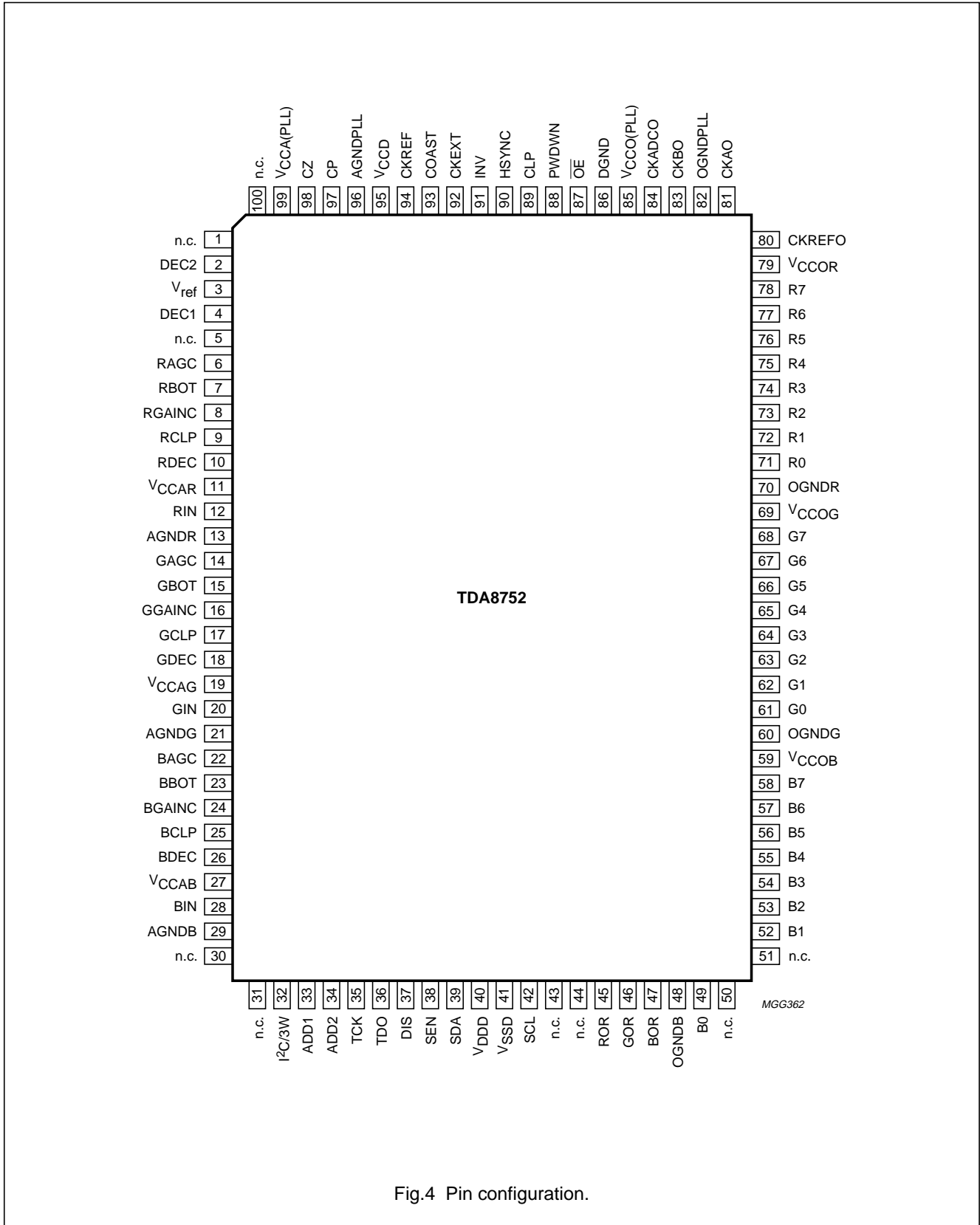


Fig.4 Pin configuration.

Triple high speed Analog-to-Digital Converter (ADC)

TDA8752

FUNCTIONAL DESCRIPTION

This triple high-speed 8-bit ADC is designed to convert RGB signals, from a PC or work station, into data used by a LCD driver (pixel clock up to 200 MHz, using 2 ICs).

IC analog video inputs

The video inputs are internally DC polarized. These inputs are AC coupled externally.

Clamps

Three independent parallel clamping circuits are used to clamp the video input signals on the black level and to control the brightness level. The clamping code is programmable between code -63.5 and $+64$ in steps of $\frac{1}{2}$ LSB. The programming of the clamp value is achieved via an 8-bit DAC. Each clamp must be able to correct an offset from ± 0.1 V to ± 10 mV within 300 ns, and correct the total offset in 10 lines.

The clamps are controlled by an external TTL positive going pulse (pin CLP). The drop of the video signal is < 1 LSB.

Normally, the circuit operates with a 0 code clamp, corresponding to the 0 ADC code. This clamp code can be changed from -63.5 to $+64$ as represented in Fig.7, in steps of $\frac{1}{2}$ LSB. The digitized video signal is always between code 0 and code 255 of the ADC.

Variable gain amplifier

Three independent variable gain amplifiers are used to provide, to each channel, a full-scale input range signal to the 8-bit ADC. The gain adjustment range is designed so that, for an input range varying from 0.4 to 1.2 V (p-p), the output signal corresponds to the ADC full-scale input of 1 V (p-p).

To ensure that the gain does not vary over the whole operating temperature range, an external reference of $+2.5$ V DC, (V_{ref} with a 100 ppm/ $^{\circ}$ C maximum variation) supplied externally, is used to calibrate the gain at the beginning of each video line before the clamp pulse using the following principle.

A differential of 0.156 V (p-p) ($\frac{1}{16}V_{ref}$) reference signal is generated internally from the reference voltage (V_{ref}). During the synchronization part of the video line, the multiplexer, controlled by the TTL synchronization signal (HSYNCI, coming from HSYNC; see Fig.1) with a width equal to one of the video synchronization signals (e.g. signal coming from a synchronization separator), is switched between the two amplifiers.

The output of the multiplexer is either the normal video signal or the 0.156 V reference signal (during HSYNC).

The corresponding ADC outputs are then compared to a pre-set value loaded in a register. Depending on the result of the comparison, the gain of the variable gain amplifiers is adjusted (coarse gain control; see Figs 2 and 8). The three 7-bit registers receive data via a serial interface to enable the gain to be programmed.

The pre-set value loaded in the 7-bit register is chosen between approximately 67 codes to ensure the full-scale input range (see Fig.8). A contrast control can be achieved using these registers. In this case care should be taken to stay within the allowed code range (32 to 99).

A fine correction using three 5-bit DACs, also controlled via the serial interface, is used to finely tune the gain of the three channels (fine gain control; see Figs 2 and 9) and to compensate the channel-to-channel gain mismatch.

With a full scale ADC input, the resolution of the fine register corresponds to $\frac{1}{2}$ LSB peak-to-peak variation.

To use these gain controls correctly, it is recommended to fix the coarse gain (to have a full-scale ADC input signal) to within 4LSB and then adjust it with the fine gain. The gain is adjusted during HSYNC. During this time the output signal is not related to the amplified input signal. The outputs, when the coarse gain system is stable, is related to the programmed coarse code (see Fig.8).

ADCs

The ADCs are 8-bit with a maximum clock frequency of 100 Msp/s. The ADCs input range is 1 V (p-p) full-scale. One out of range bit exists per channel (ROR, GOR and BOR). It will be at logic 1 when the signal is out of range of the full scale of the ADCs.

Pipeline delay in the ADCs is 1 clock cycle from sampling to data output.

The ADCs reference ladders regulators are integrated.

ADC outputs

ADC outputs are straight binary. An output enable pin (\overline{OE} ; active LOW) enables the output status between active and high-impedance ($\overline{OE} = \text{HIGH}$) to be switched; it is recommended to load the outputs with a 10 pF capacitive load. The timing must be checked very carefully if the capacitive load is more than 10 pF.

Triple high speed Analog-to-Digital Converter (ADC)

TDA8752

Phase-locked loop

The ADCs are clocked either by an internal PLL locked to the CKREF clock, (all of the PLL is on-chip except the loop filter capacitance) or an external clock, CKEXT. Selection is performed via the serial interface bus.

The reference clock (CKREF) range is between 15 and 280 kHz. Consequently, the VCO minimum frequency is 12 MHz and the maximum frequency 100 MHz for the TDA8752/8 and 60 MHz for the TDA8752/6. The gain of the VCO part can be controlled via the serial interface, depending on the frequency range to which the PLL is locked.

To increase the bandwidth of the PLL, the charge pump current, controlled by the serial interface, must also be increased. The relationship between the frequency and the current is given by the following equation:

$$f_n = \frac{1}{2\pi} \sqrt{\frac{K_O I_P}{(C_z + C_P) N}}$$

Where:

- f_n = the natural PLL frequency
- K_O = the VCO gain
- N = the division number
- C_z and C_P = capacitors of the PLL filter.

The other PLL equation is as follows:

$$f_z = \frac{1}{2\pi \times R \times C_z} \text{ and } \left(\xi = \frac{1}{2} \times \frac{f_n}{f_z} \right)$$

Where:

- f_z = loop filter zero frequency
- R = the chosen resistance for the filter
- ξ = the damping factor.

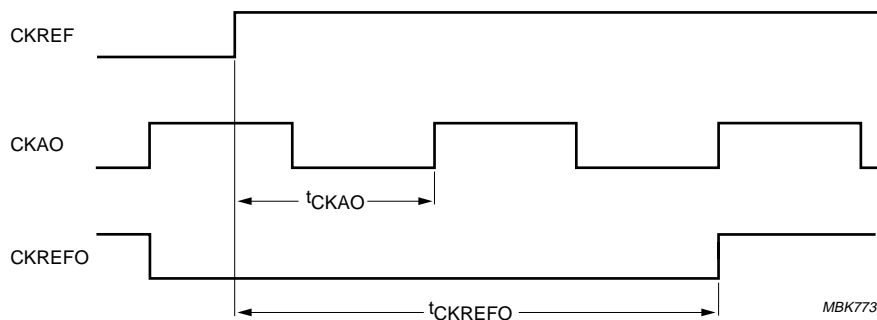
Different resistances for the filter can be programmed via the serial interface. To have better performances, the PLL parameters should be chosen so that:

$$f_n / f_{ref} \cong 0.05$$

$$\xi \cong 1.5.$$

It is possible to control (independently) the phase of the ADC clock and the phase of an additional clock output (which could be used to drive a second TDA8752). For this, two serial interface-controlled digital phase-shift controllers are included (controlled by 5-bit registers, phase shift controller steps are 11.25° each on the whole PLL frequency range).

CKREF is resynchronized, by the synchro block, on the CKAO clock. The output is CKREFO (LOW during 8 clock periods). CKAO is the clock at the output of the phase selector A. This clock can be used as the clocks for CKBO and CKADCO. The timing is given in Fig.5.



$$t_{CKAO} = t_{CLK(buffer)} + t_{phase selector} \quad (t_{CLK(buffer)} = 10 \text{ ns and } t_{phase selector} = \frac{t_{phase selector}}{2\pi} \times T_{CLK(pixel)}).$$

$$t_{CKREFO} = \text{either } t_{CKAO} \text{ if phase A } \geq 01000 \text{ or } t_{CKAO} + T_{CLK(pixel)} \text{ if phase A } < 01000.$$

Fig.5 Timing.

Triple high speed Analog-to-Digital Converter (ADC)

TDA8752

The COAST pin is used to disconnect the PLL phase frequency detector during the frame flyback or the unavailability of the CKREF signal. This signal can normally be derived from the VSYNC signal.

The clock output is able to drive an external 10 pF load (for the on-chip ADCs).

The PLL can be used in three different methods:

1. The IC can be used as stand-alone with a sampling frequency of up to 100 MHz for the TDA8752/8 and up to 60 MHz for the TDA8752/6.
2. When an RGB signal is at a pixel frequency exceeding 100 to 200 MHz, it is possible to follow one of the two possibilities given below;
 - a) Using one TDA8752; the sampling rate can be reduced by a factor of two, by sampling the even pixels in the even frame and the odd pixels in the odd frame. The INV pin is used to toggle between frames.

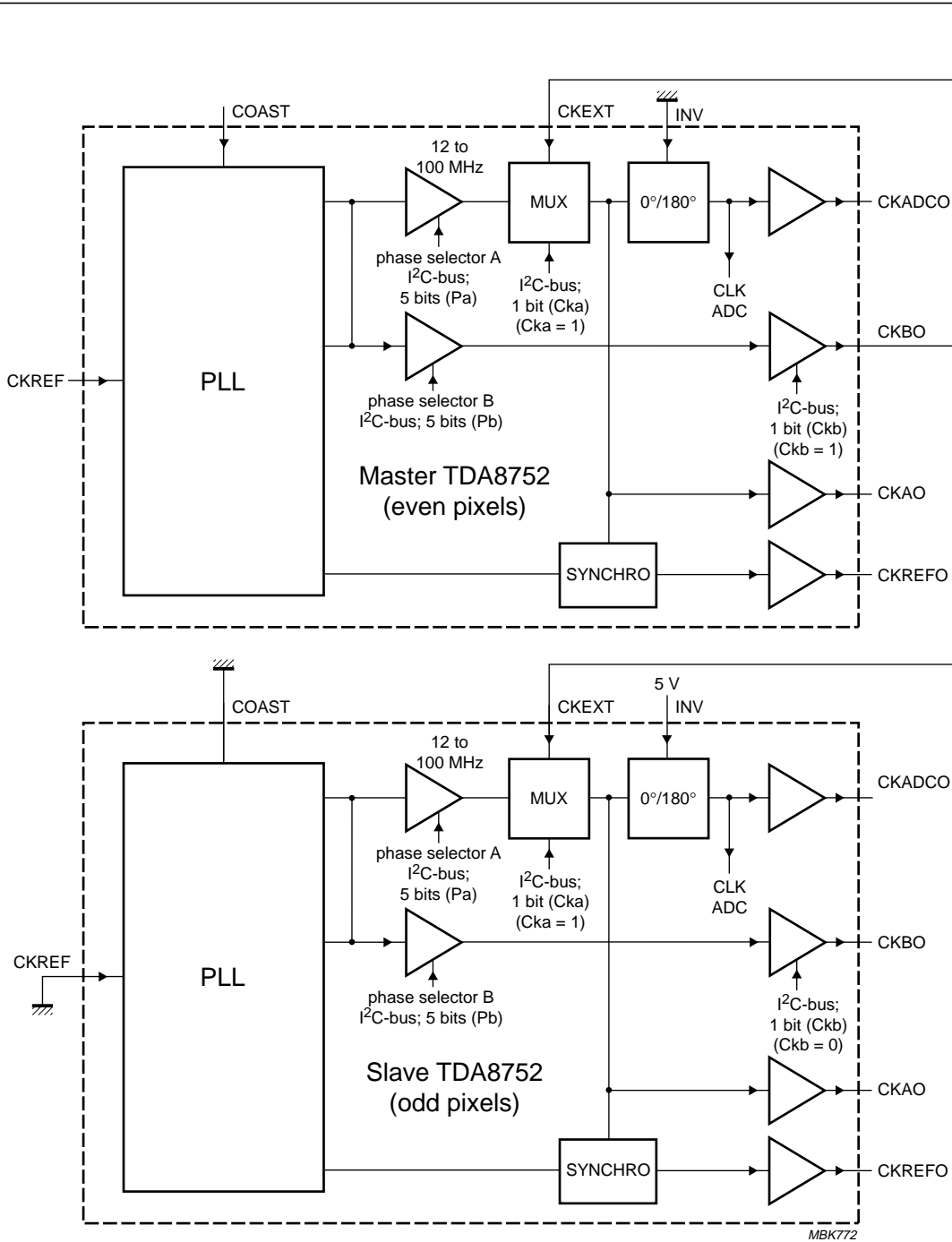
- b) Using two TDA8752s the PLL of the master TDA8752 is used to drive both ADC clocks. The PLL of the slave TDA8752 is disconnected and the CKBO of the master TDA8752 is connected to pin CKEXT of both TDA8752.

The master TDA8752 is used to sample the even pixels and the slave TDA8752 for odd pixels, using a 180° phase shift between the clocks (CKADCO pins). The master chip has its INV pin LOW while the slave chip has its INV pin HIGH, which guarantees the 180° shift ADC clock drive. It is then necessary to adjust phase B of the master chip. Special care should be taken with the quality of the input signal (input setting time).

If CKREFO output signal at the master chip is needed, it is possible to use one of the two phase A values in order to avoid set-up and hold problems in the SYNCHRO function; e.g. PHASEA = 100000 and PHASEA = 111111.

Triple high speed Analog-to-Digital Converter (ADC)

TDA8752



Slave at 180° phase shift with respect to pin CKADCO of the master TDA8752.

Fig.6 Dual TDA8752 solution for pixel clock rate with a single phase adjustment (100 to 200 MHz).

Triple high speed Analog-to-Digital Converter (ADC)

TDA8752

I²C-bus and 3-wire serial bus interface

The I²C-bus and 3-wire serial buses control the status of the different control DACs and registers. Control pin DIS enables or disables the full serial interface function (disable at HIGH level). Four ICs can be used in the same system and programmed by the same bus. Therefore, two pins (ADD1 and ADD2) are available to set each address respectively, for use with the I²C-bus interface. All programming is described in Chapter "I²C-bus and 3-wire interfaces".

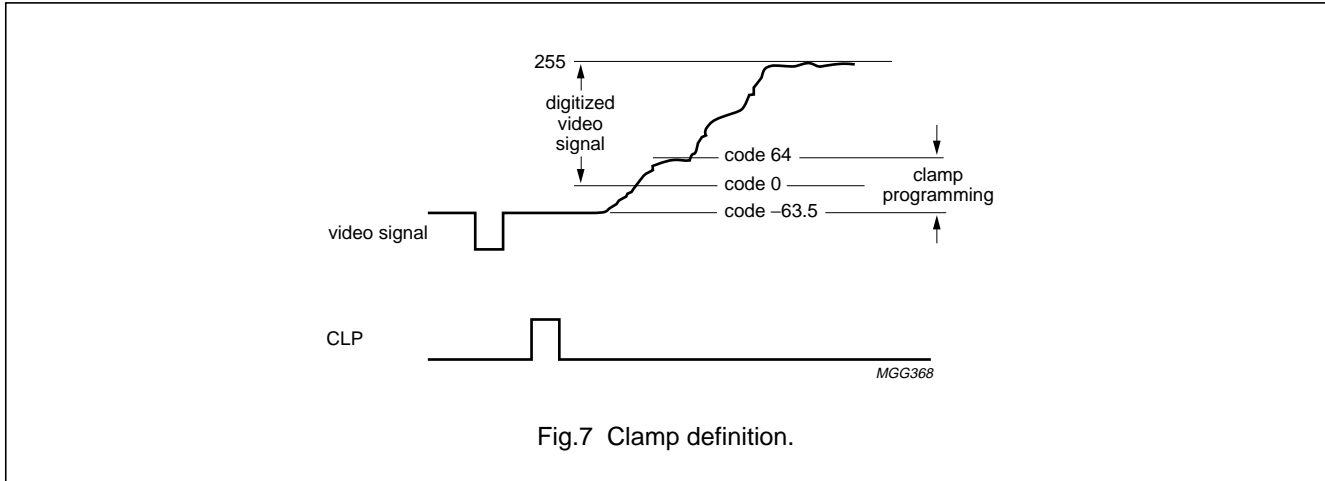


Fig.7 Clamp definition.

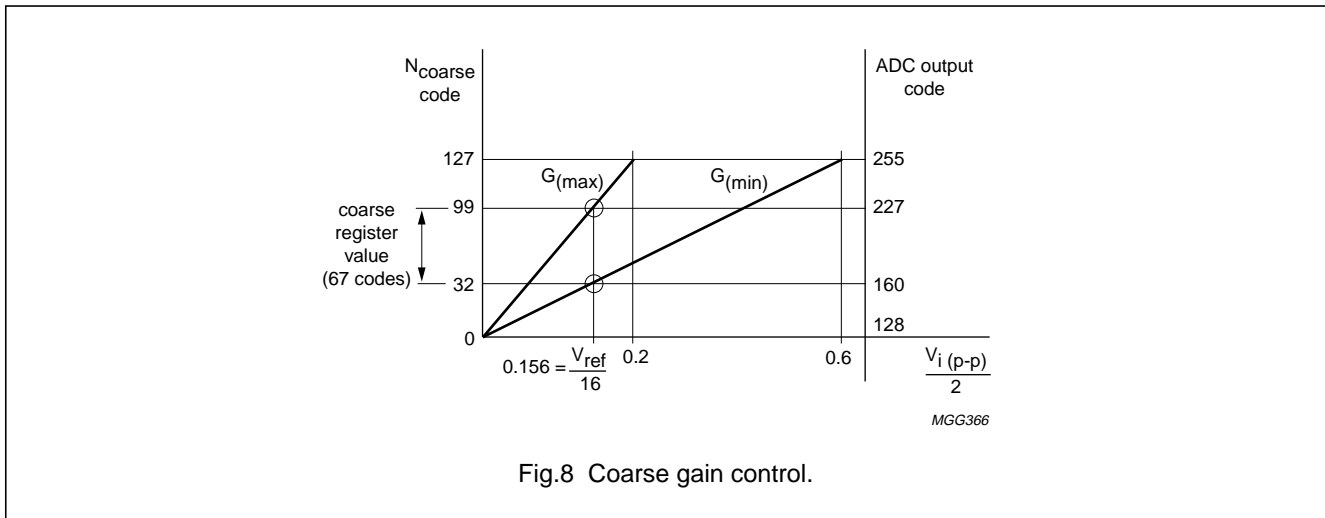


Fig.8 Coarse gain control.

Triple high speed Analog-to-Digital Converter (ADC)

TDA8752

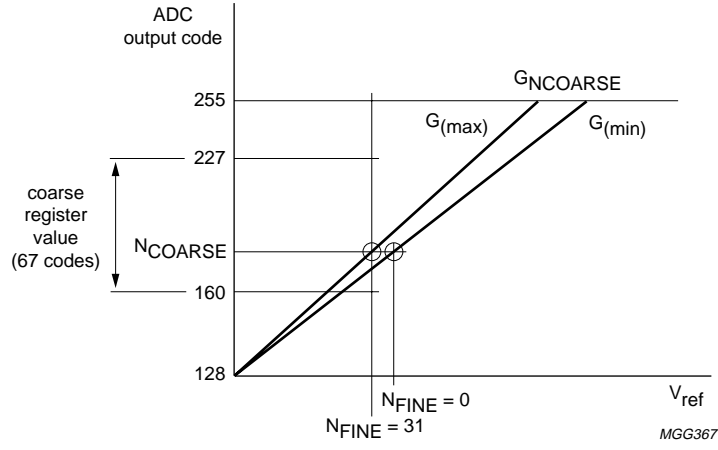


Fig.9 Fine gain correction for a coarse gain $G_{NCOARSE}$.

I²C-BUS AND 3-WIRE INTERFACES

Register definitions

The configuration of the different registers is as follows:

Table 1 I²C-bus and 3-wire registers

FUNCTION NAME	SUB-ADDRESS								BIT DEFINITION								DEFAULT VALUE
	A7	A6	A5	A4	A3	A2	A1	A0	MSB							LSB	
SUBADDR	–	–	–	–	–	–	–	–	X	X	X	Mode	Sa3	Sa2	Sa1	Sa0	xxx1 0000
OFFSETR	X	X	X	X	0	0	0	0	Or7	Or6	Or5	Or4	Or3	Or2	Or1	Or0	0111 1111
COARSER	X	X	X	X	0	0	0	1	X	Cr6	Cr5	Cr4	Cr3	Cr2	Cr1	Cr0	x010 0000
FINER	X	X	X	X	0	0	1	0	X	X	X	Fr4	Fr3	Fr2	Fr1	Fr0	xxx0 0000
OFFSETG	X	X	X	X	0	0	1	1	Og7	Og6	Og5	Og4	Og3	Og2	Og1	Og0	0111 1111
COARSEG	X	X	X	X	0	1	0	0	X	Cg6	Cg5	Cg4	Cg3	Cg2	Cg1	Cg0	x010 0000
FINEG	X	X	X	X	0	1	0	1	X	X	X	Fg4	Fg3	Fg2	Fg1	Fg0	xxx0 0000
OFFSETB	X	X	X	X	0	1	1	0	Ob7	Ob6	Ob5	Ob4	Ob3	Ob2	Ob1	Ob0	0111 1111
COARSEB	X	X	X	X	0	1	1	1	X	Cb6	Cb5	Cb4	Cb3	Cb2	Cb1	Cb0	x010 0000
FINEB	X	X	X	X	1	0	0	0	X	X	X	Fb4	Fb3	Fb2	Fb1	Fb0	xxx0 0000
CONTROL	X	X	X	X	1	0	0	1	V level	H level	edge	Up	Do	Ip2	Ip1	Ip0	0000 0100
VCO	X	X	X	X	1	0	1	0	Z2	Z1	Z0	Vco1	Vco0	Di11	Di10	Di9	0110 0001
DIVIDER (LSB)	X	X	X	X	1	0	1	1	Di8	Di7	Di6	Di5	Di4	Di3	Di2	Di1	1001 0000
PHASEA	X	X	X	X	1	1	0	0	X	Di0	Cka	Pa4	Pa3	Pa2	Pa1	Pa0	x000 0000
PHASEB	X	X	X	X	1	1	0	1	X	X	Ckb	Pb4	Pb3	Pb2	Pb1	Pb0	xx00 0000

All the registers are defined by a sub-address of 8 bits; bit A4 refers to the mode which is used with the I²C-bus interface; bits Sa3 to Sa0 are the subaddresses of each register.

The bit mode, used only with the I²C-bus, enables two modes to be programmed:

- If Mode = 0, each register is programmed independently by giving its sub-address and its content
- If Mode = 1, all the registers are programmed one after the other by giving this initial condition (xxx1 1111) as the sub-address state; thus, the registers are charged following the predefined sequence of 16 bytes (from sub-address 0000 to 1101).

Triple high speed Analog-to-Digital Converter (ADC)

TDA8752

OFFSET REGISTER

This register controls the clamp level for the RGB channels. The relationship between the programming code and the level of the clamp code is given in Table 2.

Table 2 Coding

PROGRAMMED CODE	CLAMP CODE	ADC OUTPUT
0	-63.5	underflow
1	-63	
2	-62.5	
↓	↓	
127	0	0
↓	↓	↓
254	63.5	63 or 64
255	64	64

The default programmed value is:

- Programmed code = 127
- Clamp code = 0
- ADC output = 0.

COARSE AND FINE REGISTERS

These two registers enable the gain control, the AGC gain with the coarse register and the reference voltage with the fine register. The coarse register programming equation is as follows:

$$GAIN = \frac{N_{COARSE} + 1}{V_{ref} \left(1 - \frac{N_{FINE}}{32 \times 16} \right)} \times \frac{1}{16} = \frac{N_{COARSE} + 1}{V_{ref} (512 - N_{FINE})} \times 32$$

Where: $V_{ref} = 2.5 \text{ V}$.

The gain correspondence is given in Table 3. The gain is linear with reference to the programming code ($N_{FINE} = 0$).

Table 3 Gain correspondence (COARSE)

N _{COARSE}	GAIN	V _i TO BE FULL-SCALE
32	0.825	1.212
99	2.5	0.4

The default programmed value is as follows:

- $N_{COARSE} = 32$
- Gain = 0.825
- V_i to be full-scale = 1.212.

To modulate this gain, the fine register is programmed using the above equation. With a full-scale ADC input, the fine register resolution is a 1/2LSB peak-to-peak (see Table 4 for $N_{COARSE} = 32$).

Table 4 Gain correspondence (FINE)

N _{FINE}	GAIN	V _i TO BE FULL-SCALE
0	0.825	1.212
31	0.878	1.139

The default programmed value is: $N_{FINE} = 0$.

CONTROL REGISTER

COAST and HSYNC signals can be inverted by setting the I²C-bus control bits V level and H level respectively. When V level and H level are set to zero respectively, COAST and HSYNC are active HIGH.

The bit 'edge' defines the rising or falling edge of CKREF to synchronise the PLL. It will be on the rising edge if the bit is at logic 0 and on the falling edge if the bit is at logic 1.

The bits Up and Do are used for the test, to force the charge pump current. These bits have to be logic 0 during normal use.

The bits Ip0, Ip1 and Ip2 control the charge pump current, to increase the bandwidth of the PLL, as shown in Table 5.

Triple high speed Analog-to-Digital Converter (ADC)

TDA8752

Table 5 Charge-pump current control

Ip2	Ip1	Ip0	CURRENT (μA)
0	0	0	6.25
0	0	1	12.5
0	1	0	25
0	1	1	50
1	0	0	100
1	0	1	200
1	1	0	400
1	1	1	700

The default programmed value is as follows:

- Charge pump current = 100 μA
- Test bits: no test mode; bits Up and Do at logic 0
- Rising edge of CKREF: bit edge at logic 0
- COAST and HSYNC inputs are active HIGH: V level and H level at logic 0.

VCO REGISTER

The bits Z2, Z1 and Z0 enable the internal resistance for the VCO filter to be selected.

Table 6 VCO register bits

Z2	Z1	Z0	RESISTANCE (kΩ)
0	0	0	high impedance
0	0	1	128
0	1	0	32
0	1	1	16
1	0	0	8
1	0	1	4
1	1	0	2
1	1	1	1

Table 7 VCO gain control

V _{CO1}	V _{CO0}	VCO gain (MHz/V)	PIXEL CLOCK FREQUENCY RANGE (MHz)
1	0	60	10 to 17
0	1	30	17 to 35
1	0	60	35 to 60
1	1	100	60 to 100

The bits V_{CO1} and V_{CO0} control the VCO gain.

The default programmed value is as follows:

- Internal resistance = 16 kΩ
- VCO gain = 15 MHz/V.

DIVIDER REGISTER

This register controls the PLL frequency. The bits are the LSB bits.

The default programmed value is 0011 0010 0000 = 800.

The MSB bits (Di11, Di10, Di9) and the LSB bit (Di0) have to be programmed before the bits Di8 to Di1 to have the required divider ratio. The bit Di0 is used for the parity divider number = Di0 = 0 = even number Di0 = 1 = odd number. It should be noted that if the I²C-bus programming is done in mode = 1 and the bit Di0 has to be toggled, then the registers have to be loaded twice to have the update divider ratio.

POWER-DOWN MODE

- When the supply is completely switched off, the registers are set to their default values; in that event they have to be reprogrammed if the required settings are different (e.g. through an EEPROM)
- When the device is in power-down mode, the previously programmed register values remain unaffected.

PHASEA AND PHASEB REGISTERS

The bit Cka is logic 0 when the used clock is the PLL clock, and logic 1 when the used clock is the external clock.

The bit Ckb is logic 0 when the second clock is not used.

The bits Pa4 to Pa0 and Pb4 to Pb0 are used to program the phase shift for the clock, CKADCO, CKAO and CKBO (see Table 8).

Triple high speed Analog-to-Digital Converter (ADC)

TDA8752

Table 8 Phase registers bits

Pa4, Pb4	Pa3, Pb3	Pa2, Pb2	Pa1, Pb1	Pa0, Pb0	PHASE SHIFT (°)
0	0	0	0	0	0
0	0	0	0	1	11.25
↓	↓	↓	↓	↓	↓
↓	↓	↓	↓	↓	↓
1	1	1	1	0	337.5
1	1	1	1	1	348.75

The default programmed value is as follows:

- No external clock: CKA at logic 0
- No use of the second clock: CKB at logic 0
- Phase shift for CKAO and CKADCO = 0°
- Phase shift for CKBO = 0°.

I²C-bus protocol

Table 9 I²C-bus address

A7	A6	A5	A4	A3	A2	A1	A0
1	0	0	1	1	ADD2	ADD1	0

The I²C-bus address of the circuit is 10011 xx0.

Bits A2 and A1 are fixed by the potential on pins ADD1 and ADD2. Thus, four TDA8752s can be used on the same system, using the addresses for ADD1 and ADD2 with the I²C-bus. The A0 bit must always be equal to logic 0 because it is not possible to read the data in the register. The timing and protocol for the I²C-bus are standard. Two sequences are available, see Tables 10 and 11.

Table 10 Address sequence for mode 0

S	IC ADDRESS	ACK	SUBADDRESS REGISTER1	ACK	DATA REGISTER1 (see Table 1)	ACK	SUBADDRESS REGISTER2	ACK	P
---	------------	-----	----------------------	-----	------------------------------	-----	----------------------	-----	------	---

Where: S = START condition, ACK = acknowledge and P = STOP condition.

Table 11 Address sequence for mode 1

S	IC ADDRESS	ACK	SUBADDRESS xxx1 1111	ACK	DATA REGISTER1 (see Table 1)	ACK	DATA REGISTER2	ACK	P
---	------------	-----	----------------------	-----	------------------------------	-----	----------------	-----	------	---

Where: S = START condition, ACK = acknowledge and P = STOP condition.

Triple high speed Analog-to-Digital Converter (ADC)

TDA8752

3-wire protocol

For the 3-wire serial bus the first byte refers to the register address which is programmed. The second byte refers to the data to be sent to the chosen register (see Table 1). The acquisition is achieved via SEN.

Using the 3-wire interface, an indefinite number of ICs can operate on the same system. Pin SEN is used to validate the circuits.

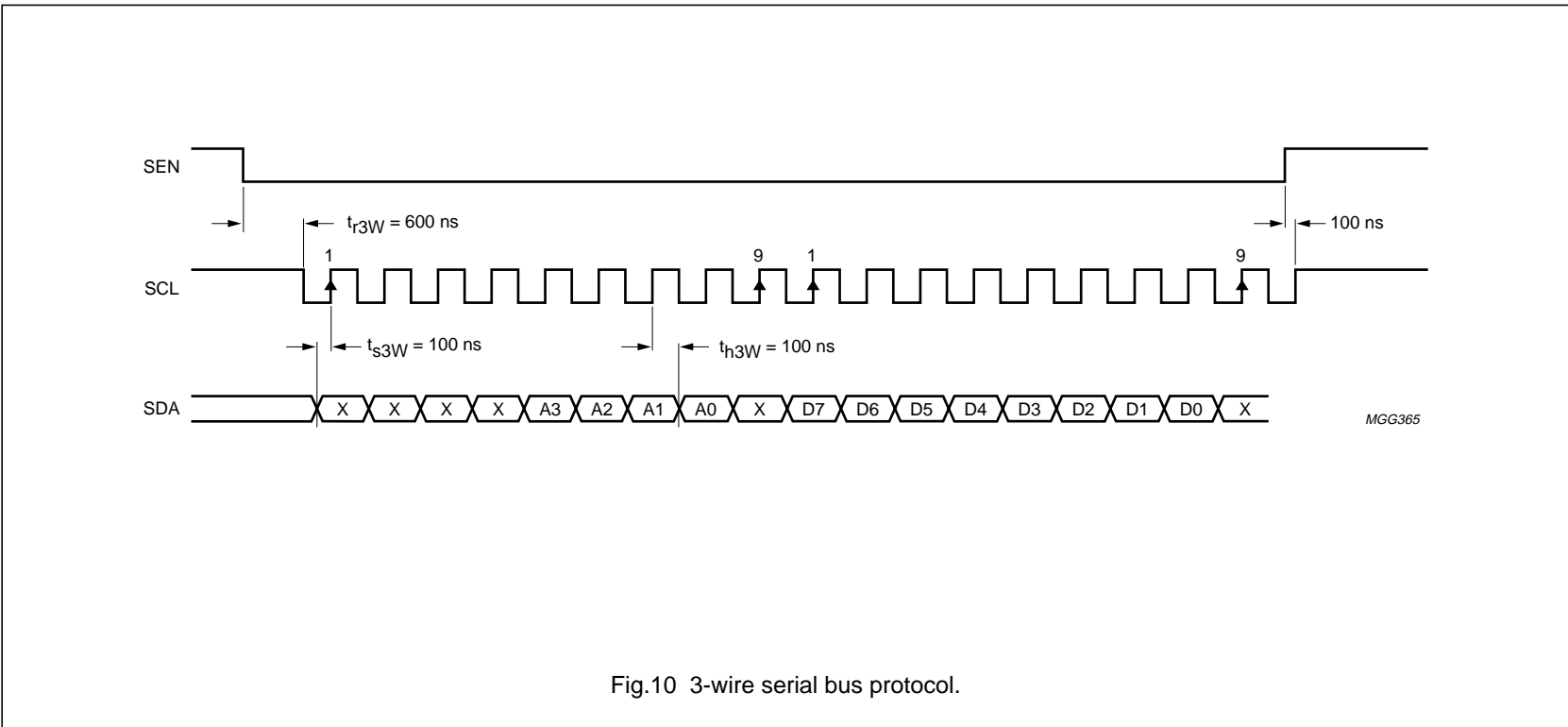


Fig.10 3-wire serial bus protocol.

Triple high speed Analog-to-Digital Converter (ADC)

TDA8752

LIMITING VALUES

In accordance with the Absolute Maximum Rating System (IEC 134).

SYMBOL	PARAMETER	CONDITIONS	MIN.	MAX.	UNIT
V_{CCA}	analog supply voltage		-0.3	+7.0	V
V_{CCD}	digital supply voltage		-0.3	+7.0	V
V_{DDD}	logic input voltage		-0.3	+7.0	V
V_{CCO}	output stages supply voltage		-0.3	+7.0	V
ΔV_{CC}	supply voltage differences $V_{CCA} - V_{CCD}$ $V_{CCO} - V_{CCD}$, $V_{CCO} - V_{DDD}$ $V_{CCA} - V_{DDD}$, $V_{CCD} - V_{DDD}$ $V_{CCA} - V_{CCO}$		-1.0 -1.0 -1.0 -1.0	+1.0 +1.0 +1.0 +1.0	V V V V
$V_{i(RGB)}$	RGB input voltage range	referenced to AGND	-0.3	+7.0	V
I_o	output current		-	10	mA
T_{stg}	storage temperature		-55	+150	°C
T_{amb}	operating ambient temperature		0	70	°C
T_j	junction temperature		-	150	°C

HANDLING

Inputs and outputs are protected against electrostatic discharges in normal handling. However, to be totally safe, it is desirable to take normal precautions appropriate to handling integrated circuits.

THERMAL CHARACTERISTICS

SYMBOL	PARAMETER	CONDITIONS	VALUE	UNIT
$R_{th(j-a)}$	thermal resistance from junction to ambient	in free air	52	K/W

Triple high speed Analog-to-Digital Converter (ADC)

TDA8752

CHARACTERISTICS

$V_{CCA} = V11$ (or V19, V27 or V99) referenced to AGND (V13, V21, V29 or V96 = 4.75 to 5.25 V; $V_{CCD} = V95$ referenced to DGND (V86) = 4.75 to 5.25 V; $V_{DDD} = V40$ referenced to V_{SSD} (V41) = 4.75 to 5.25 V; $V_{CCO} = V59$ (or V69, V79 or V85) referenced to OGND (V48, V60, V70 or V82) = 4.75 to 5.25 V; AGND, DGND, OGND and V_{SSD} short circuited together. $T_{amb} = 0$ to 70 °C; typical values measured at $V_{CCA} = V_{DDD} = V_{CCD} = V_{CCO} = 5$ V and $T_{amb} = 25$ °C; unless otherwise specified.

SYMBOL	PARAMETER	CONDITIONS	MIN.	TYP.	MAX.	UNIT
Supplies						
V_{CCA}	analog supply voltage		4.75	5.0	5.25	V
V_{CCD}	digital supply voltage		4.75	5.0	5.25	V
V_{DDD}	logic supply voltage		4.75	5.0	5.25	V
V_{CCO}	output stages supply voltage		4.75	5.0	5.25	V
I_{CCA}	analog supply current		–	120	–	mA
I_{DDD}	logic supply current for I ² C-bus and 3-wire		–	1.0	–	mA
I_{CCD}	digital supply current		–	40	–	mA
I_{CCO}	output stages supply current	ramp input; $f_{CLK} = 100$ MHz	–	6	–	mA
$I_{CCO(PLL)}$	output PLL supply current		–	5	–	mA
$I_{CCA(PLL)}$	analog PLL supply current		–	28	–	mA
ΔV_{CC}	supply voltage differences					
	$V_{CCA} - V_{CCD}$		–0.25	–	+0.25	V
	$V_{CCO} - V_{CCD}, V_{CCO} - V_{DDD}$		–0.25	–	+0.25	V
	$V_{CCA} - V_{DDD}, V_{CCD} - V_{DDD}$		–0.25	–	+0.25	V
	$V_{CCA} - V_{CCO}$		–0.25	–	+0.25	V
P_{tot}	total power consumption	ramp input; $f_{CLK} = 100$ MHz	–	1.0	–	W
P_{pd}	power consumption in power-down mode		–	87	–	mW
R, G and B amplifiers						
B	bandwidth	–3 dB; $T_{amb} = 25$ °C	250	–	–	MHz
t_{set}	settling time of the block ADC plus AGC	full-scale (black-to-white) transition; input signal settling time < 1 ns; 1 to 99%; $T_{amb} = 25$ °C	–	4.5	6	ns
$G_{NCOARSE}$	coarse gain range	$V_{ref} = 2.5$ V; minimum coarse gain register; code = 32; (see Fig.8)	–	–1.67	–	dB
		maximum coarse gain register; code = 99; (see Fig.8)	–	8	–	dB

Triple high speed Analog-to-Digital
Converter (ADC)

TDA8752

SYMBOL	PARAMETER	CONDITIONS	MIN.	TYP.	MAX.	UNIT
G _{FINE}	fine gain correction range	fine register input code = 0; (see Fig.9)	–	0	–	dB
		fine register input code = 31; (see Fig.9)	–	–0.5	–	dB
$\Delta G_{amp}/T$	amplifier gain stability as a function of temperature	V _{ref} = 2.5 V with 100 ppm/°C maximum variation	–	–	200	ppm/°C
I _{GC}	gain current		–	±20	–	µA
t _{stab}	amplifier gain adjustment speed	HSYNC active; capacitors on pins 8, 16 and 24 = 22 nF	–	25	–	mdB/µs
V _{i(p-p)}	input voltage range (peak-to-peak value)	corresponding to full-scale output	0.4	–	1.2	V
t _{r(Vi)}	input voltage rise time	f _i = 100 MHz; square wave	–	–	2.5	ns
t _{f(Vi)}	input voltage fall time	f _i = 100 MHz; square wave	–	–	2.5	ns
G _{E(rms)}	channel-to-channel gain matching (RMS value)	maximum coarse gain; T _{amb} = 25 °C	–	1	–	%
		minimum coarse gain; T _{amb} = 25 °C	–	2	–	%
Clamps						
P _{CLP}	precision	black level noise on RGB channels = 10 mV (max.) (RMS value); T _{amb} = 25 °C	–1	–	+1	LSB
t _{COR1}	clamp correction time to within ±10 mV	±100 mV black level input variation; clamp capacitor = 4.7 nF	–	–	300	ns
t _{COR2}	clamp correction time to less than 1 LSB	±100 mV black level input variation; clamp capacitor = 4.7 nF	–	–	10	lines
t _{W(CLP)}	clamp pulse width		500	–	2000	ns
CLP _E	channel-to-channel clamp matching		–1	–	+1	LSB
A _{off}	code clamp reference	clamp register input code = 0	–	–63.5	–	LSB
		clamp register input code = 255	–	64	–	LSB
Phase-locked loop						
j _{PLL(rms)}	long term PLL jitter (RMS value)	f _{CLK} = 60 MHz; see Table 13	–	450	–	ps
		f _{CLK} = 100 MHz; see Table 13	–	360	–	ps
DR	divider ratio		100	–	4095	
f _{ref}	reference clock frequency range		15	–	280	kHz
f _{PLL}	output clock frequency range		12	–	100	MHz

Triple high speed Analog-to-Digital Converter (ADC)

TDA8752

SYMBOL	PARAMETER	CONDITIONS	MIN.	TYP.	MAX.	UNIT
t_{COASTmax}	maximum coast mode time		–	–	40	lines
t_{recap}	PLL recapture time	when coast mode is aborted	–	3	–	lines
t_{cap}	PLL capture time	in start-up conditions	–	–	5	ms
Φ_{step}	phase shift step	$T_{\text{amb}} = 25\text{ }^{\circ}\text{C}$	–	11.25	–	deg
ADCs						
f_{s}	maximum sampling frequency	TDA8752/6	60	–	–	MHz
		TDA8752/8	100	–	–	MHz
INL	DC integral non linearity	from IC analog input to digital output; ramp input; $f_{\text{CLK}} = 100\text{ MHz}$	–	± 0.5	± 1.5	LSB
DNL	DC differential non linearity	from IC analog input to digital output; ramp input; $f_{\text{CLK}} = 100\text{ MHz}$	–	± 0.5	± 1.0	LSB
ENOB	effective number of bits	from IC analog input to digital output; 10 kHz sine wave input; ramp input; $f_{\text{CLK}} = 100\text{ MHz}$; note 1	–	7.4	–	bits
Signal-to-noise ratio						
S/N	signal-to-noise ratio	maximum gain; $f_{\text{CLK}} = 100\text{ MHz}$	–	45	–	dB
		minimum gain; $f_{\text{CLK}} = 100\text{ MHz}$	–	44	–	dB
Spurious free dynamic range						
SFDR	spurious free dynamic range	maximum gain; $f_{\text{CLK}} = 100\text{ MHz}$	–	60	–	dB
		minimum gain; $f_{\text{CLK}} = 100\text{ MHz}$	–	60	–	dB
Clock timing output (CKADCO, CKBO and CKA0)						
η_{ext}	ADC clock duty cycle	100 MHz output	45	50	55	%
$f_{\text{CLK(max)}}$	maximum clock frequency		100	–	–	MHz
Clock timing input (CKEXT)						
$f_{\text{CLK(max)}}$	maximum clock frequency		100	–	–	MHz
t_{CPH}	clock pulse width HIGH		3.6	–	–	ns
t_{CPL}	clock pulse width LOW		4.5	–	–	ns
$t_{\text{d(CLKO)}}$	delay from CKEXT to CKADCO	INV set to LOW	13.6	14.7	15.2	ns
		INV set to HIGH	–	$\frac{t_{\text{CLK}}}{2}$	–	ns
Δt_{sample}	time difference between samples	operating in the same supply and temperature condition	–	0.1	0.3	ns

Triple high speed Analog-to-Digital Converter (ADC)

TDA8752

SYMBOL	PARAMETER	CONDITIONS	MIN.	TYP.	MAX.	UNIT
Data timing (see Fig.11); $f_{CLK} = 100 \text{ MHz}$; $C_L = 10 \text{ pF}$; note 2						
$t_{d(s)}$	sampling delay time	referenced to CKADCO	–	–	–	ns
$t_{d(o)}$	output delay time		–	–3.3	–2.6	ns
$t_{h(o)}$	output hold time		4.6	5.5	–	ns
3-state output delay time; (see Fig.12)						
t_{dZH}	output enable HIGH		–	12	–	ns
t_{dZL}	output enable LOW		–	10	–	ns
t_{dHZ}	output disable HIGH		–	50	–	ns
t_{dLZ}	output disable LOW		–	65	–	ns
PLL clock output						
V_{OL}	LOW-level output voltage	$I_o = 1 \text{ mA}$	–	0.3	0.8	V
V_{OH}	HIGH-level output voltage	$I_o = -1 \text{ mA}$	2.4	3.5	–	V
I_{OL}	LOW-level output current	$V_{OL} = 0.4 \text{ V}$	–	2	–	mA
I_{OH}	HIGH-level output current	$V_{OH} = 2.7 \text{ V}$	–	–0.4	–	mA
ADC data outputs						
V_{OL}	LOW-level output voltage	$I_o = 1 \text{ mA}$	–	0	0.8	V
V_{OH}	HIGH-level output voltage	$I_o = -1 \text{ mA}$	2.4	V_{CCD}	–	V
I_{OL}	LOW-level output current	$V_{OL} = 0.4 \text{ V}$	–	2	–	mA
I_{OH}	HIGH-level output current	$V_{OH} = 2.7 \text{ V}$	–	–0.5	–	mA
TTL digital inputs (CKREF, COAST, CKEXT, INV, HSYNC and CLP)						
V_{IL}	LOW level input voltage		–	–	0.8	V
V_{IH}	HIGH level input voltage		2.0	–	–	V
I_{IL}	LOW level input current	$V_{IL} = 0.4 \text{ V}$	400	–	–	μA
I_{IH}	HIGH level input current	$V_{IH} = 2.7 \text{ V}$	–	–	100	μA
Z_i	input impedance		–	4	–	$\text{k}\Omega$
C_i	input capacitance		–	4.5	–	pF
3-wire serial bus						
t_{reset}	reset time of the chip before 3-wire communication		–	600	–	ns
t_{su}	data set-up time		–	100	–	ns
t_h	data hold time		–	100	–	ns
I²C-bus; see note 3						
f_{SCL}	clock frequency		0	–	100	kHz
t_{BUF}	time the bus must be free before new transmission can start		4.7	–	–	μs

Triple high speed Analog-to-Digital Converter (ADC)

TDA8752

SYMBOL	PARAMETER	CONDITIONS	MIN.	TYP.	MAX.	UNIT
$t_{HD;STA}$	start condition hold time		4.0	–	–	μs
$t_{SU;STA}$	start condition set-up time	repeated start	4.7	–	–	μs
t_{CKL}	LOW level clock period		4.7	–	–	μs
t_{CKH}	HIGH level clock period		4.0	–	–	μs
$t_{SU;DAT}$	data set-up time		250	–	–	ns
$t_{HD;DAT}$	data hold time		0	–	–	ns
t_r	SDA and SCL rise time	for $f_{SCL} = 100 \text{ kHz}$	–	–	1.0	μs
t_f	SDA and SCL fall time	for $f_{SCL} = 100 \text{ kHz}$	–	–	300	ns
$t_{SU;STOP}$	stop condition set-up time		4.0	–	–	μs
$C_{L(bus)}$	capacitive load for each bus line		–	–	400	pF

Notes to the characteristics

1. Effective bits are obtained via a Fast Fourier Transform (FFT) treatment taking 8000 acquisition points per equivalent fundamental period. The calculation takes into account all harmonics and noise up to half clock frequency (NYQUIST frequency). Conversion-to-noise ratio: $S/N = EB \times 6.02 + 1.76 \text{ dB}$.
2. Output data acquisition is available after the maximum delay time $t_{d(o)}$, which is the time during which the data is available. All the timings are given for a 10 pF capacitive load. A higher load can be used but the timing must then be rechecked.
3. The I²C-bus timings are given for a frequency of 100 kbit/s (100 kHz). This bus can be used at a frequency of 400 kbit/s (400 kHz).

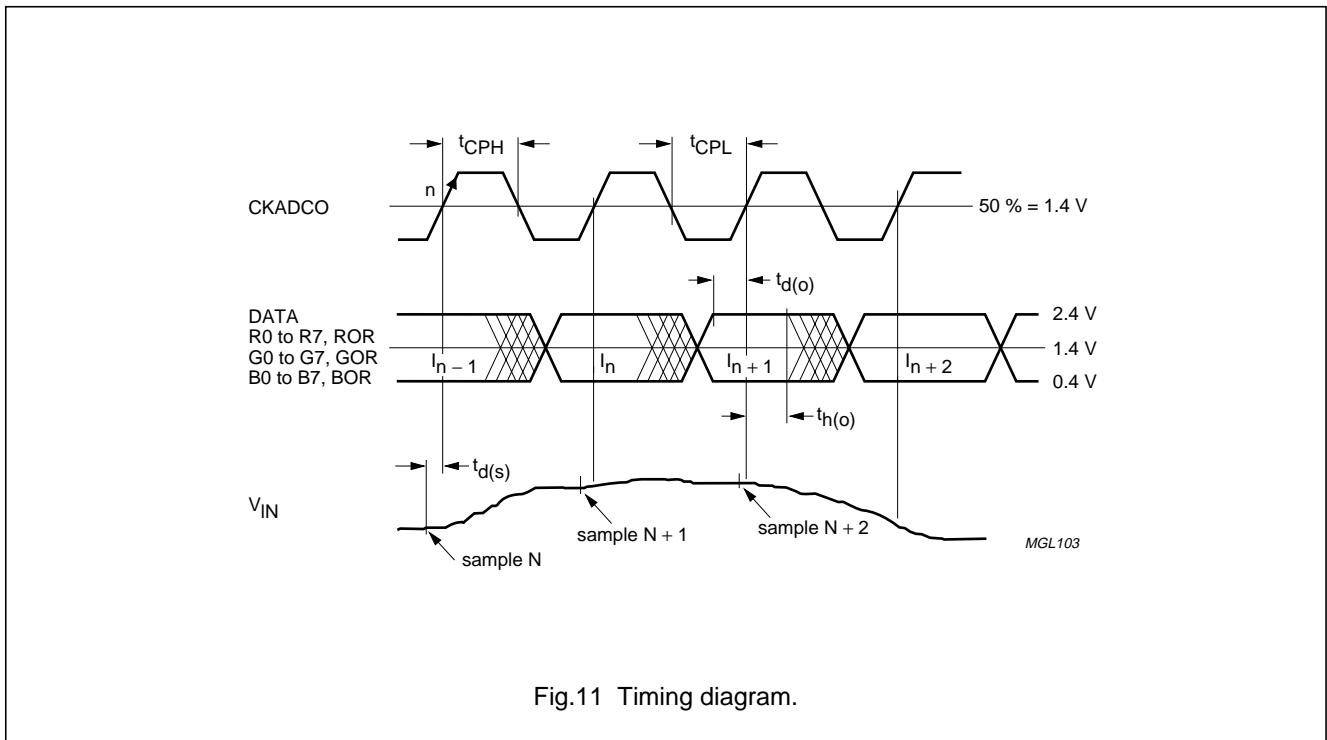


Fig.11 Timing diagram.

Triple high speed Analog-to-Digital Converter (ADC)

TDA8752

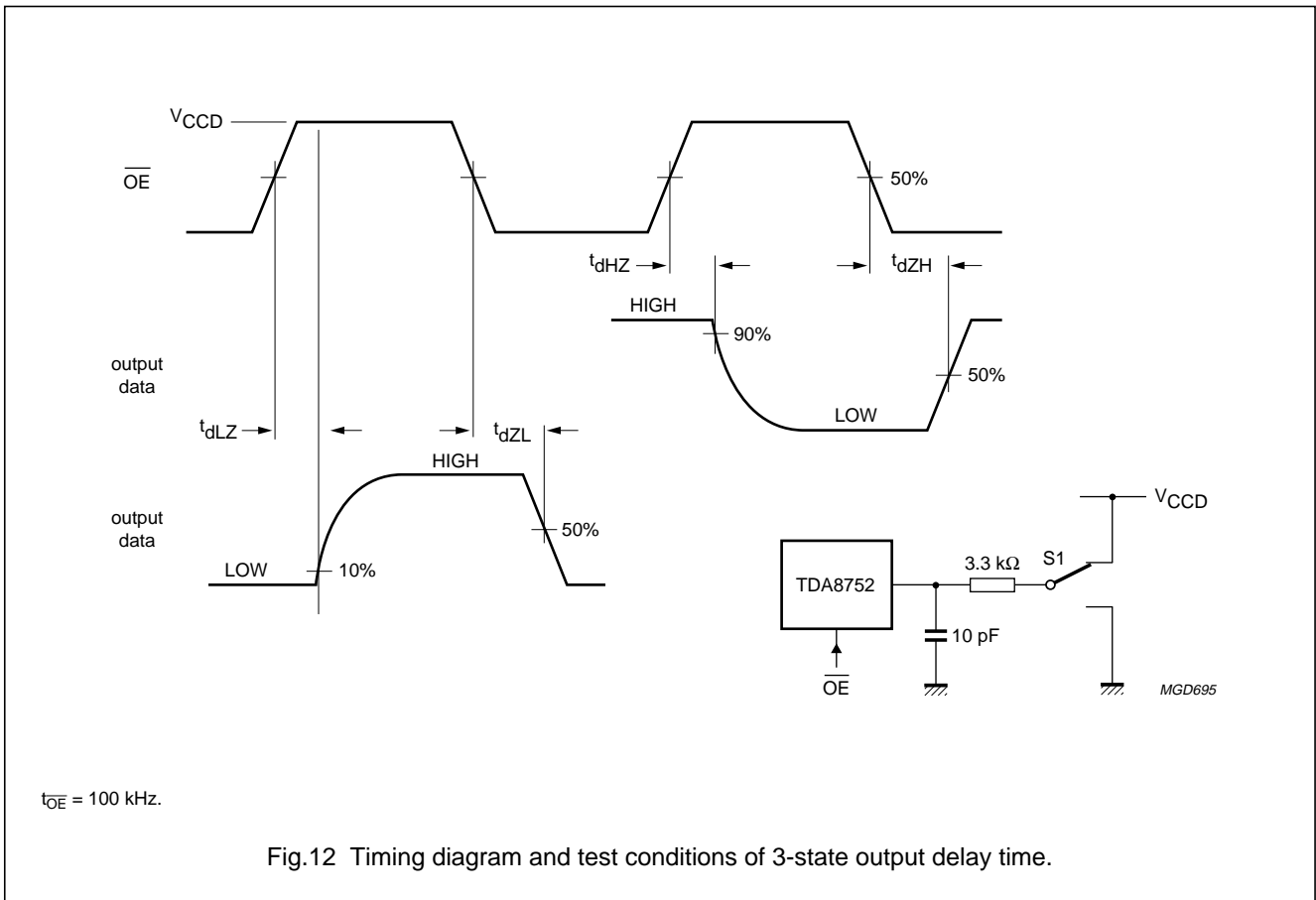


Table 12 Test conditions for Fig.12

TEST	SWITCH S1
t_{dLZ}	V_{CCD}
t_{dZL}	V_{CCD}
t_{dHZ}	GND
t_{dZH}	GND

Triple high speed Analog-to-Digital
Converter (ADC)

TDA8752

APPLICATION INFORMATION

Table 13 Examples of PLL settings and performances; note 1

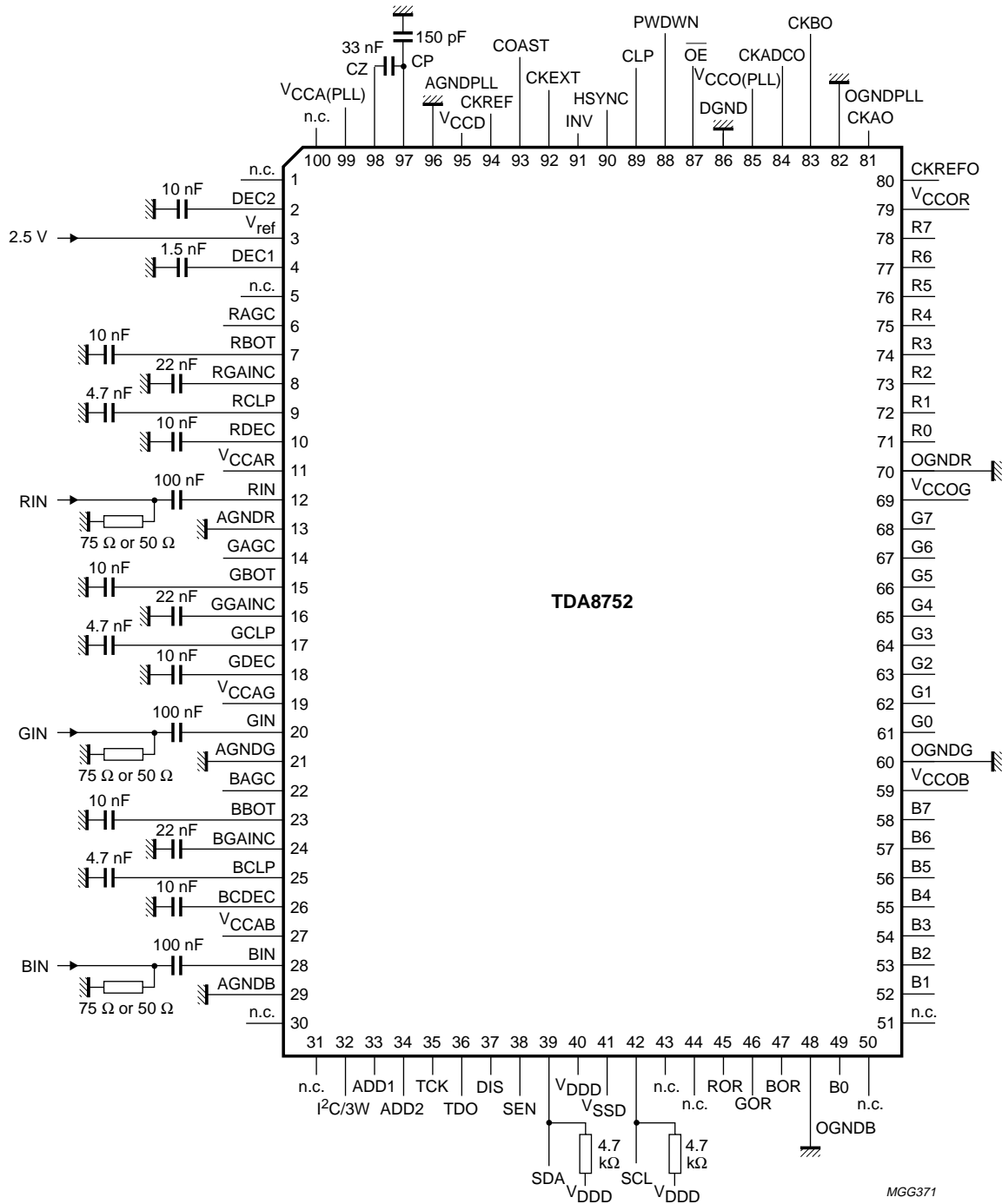
VIDEO STANDARDS	f _{ref} (kHz)	f _{CLK} (MHz)	N	KO (MHz/V)	CZ (nF)	CP (nF)	I _P (μA)	Z (kΩ)	LONG TIME JITTER ⁽²⁾		PLL PHASE DRIFT ⁽³⁾ (ns)
									ps (RMS)	ns (p-p)	
CGA: 640 × 200	15.75	14.3	912	15	150	1	200	4	–	–	1.2
VGA: 640 × 480	31.5	25.2	800	30	150	1	400	2	610	3.6	0.7
VESA: 800 × 600	48.08	50	1040	60	150	1	700	1	480	2.9	0.55
VESA: 1024 × 768	60.02	78.8	1312	100	150	1	700	1	380	2.3	0.3
SUN: 1152 × 900	66.67	100	1500	100	150	1	700	1	360	2.2	0.3

Notes

1. Values measured at $V_{CCA} = V_{DDD} = V_{CCD} = V_{CCO} = 5\text{ V}$ and $T_{amb} = 25^\circ\text{C}$.
2. PLL long-term time jitter is measured at the end of the video line, where it is at its maximum.
3. Measured between 0 and 70 °C.

Triple high speed Analog-to-Digital Converter (ADC)

TDA8752



All supply pins have to be decoupled, with two capacitors:
 one for high frequencies (approximately 1 nF) and one for the low frequencies (approximately 100 nF or higher).

Fig.13 Application diagram.

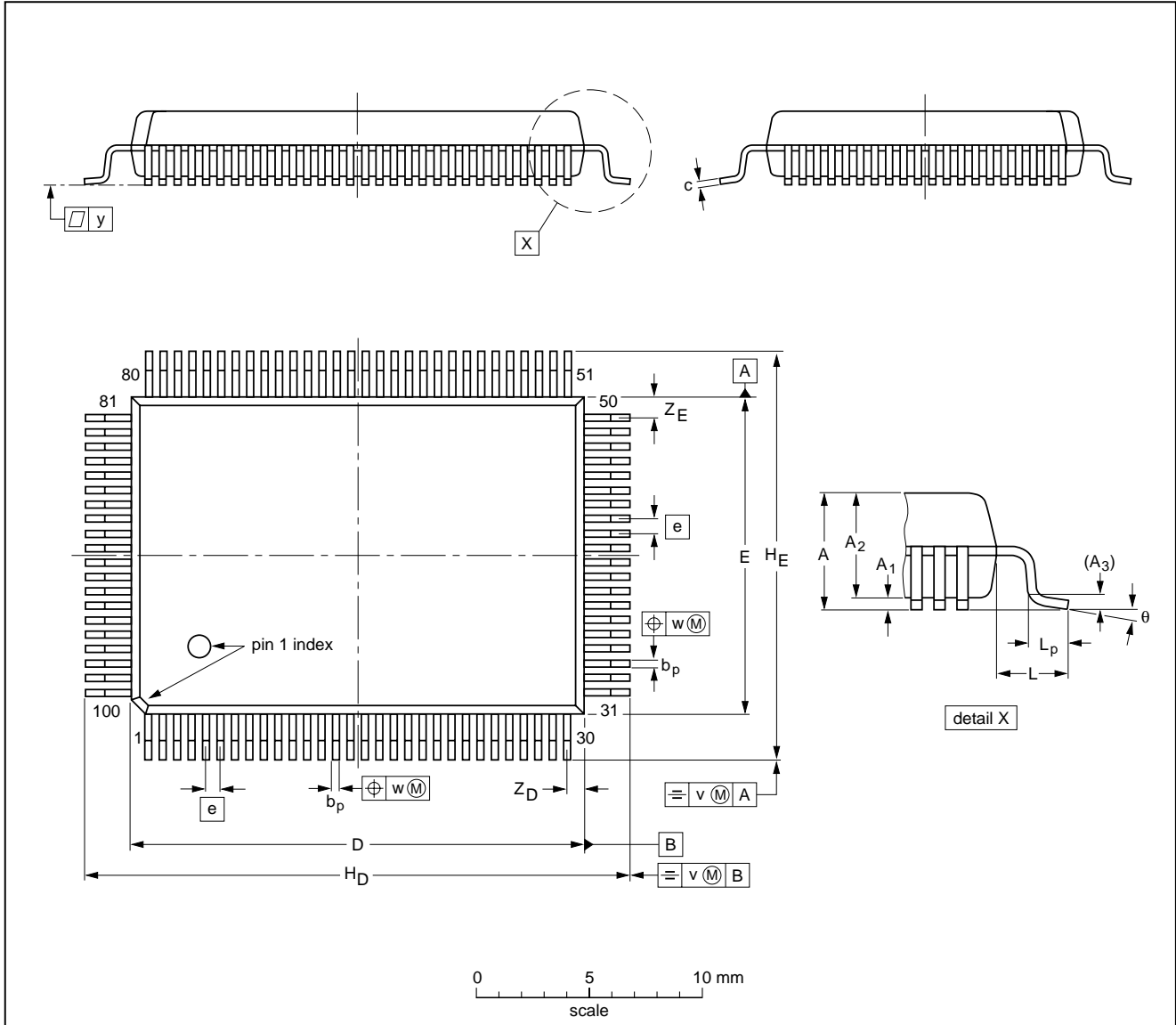
Triple high speed Analog-to-Digital Converter (ADC)

TDA8752

PACKAGE OUTLINE

QFP100: plastic quad flat package; 100 leads (lead length 1.95 mm); body 14 x 20 x 2.8 mm

SOT317-2



DIMENSIONS (mm are the original dimensions)

UNIT	A max.	A ₁	A ₂	A ₃	b _p	c	D ⁽¹⁾	E ⁽¹⁾	e	H _D	H _E	L	L _p	v	w	y	Z _D ⁽¹⁾	Z _E ⁽¹⁾	θ
mm	3.20	0.25 0.05	2.90 2.65	0.25	0.40 0.25	0.25 0.14	20.1 19.9	14.1 13.9	0.65	24.2 23.6	18.2 17.6	1.95	1.0 0.6	0.2	0.15	0.1	0.8 0.4	1.0 0.6	7° 0°

Note

1. Plastic or metal protrusions of 0.25 mm maximum per side are not included.

OUTLINE VERSION	REFERENCES			EUROPEAN PROJECTION	ISSUE DATE
	IEC	JEDEC	EIAJ		
SOT317-2					95-02-04 97-08-01

Triple high speed Analog-to-Digital Converter (ADC)

TDA8752

SOLDERING

Introduction to soldering surface mount packages

This text gives a very brief insight to a complex technology. A more in-depth account of soldering ICs can be found in our *"Data Handbook IC26; Integrated Circuit Packages"* (document order number 9398 652 90011).

There is no soldering method that is ideal for all surface mount IC packages. Wave soldering is not always suitable for surface mount ICs, or for printed-circuit boards with high population densities. In these situations reflow soldering is often used.

Reflow soldering

Reflow soldering requires solder paste (a suspension of fine solder particles, flux and binding agent) to be applied to the printed-circuit board by screen printing, stencilling or pressure-syringe dispensing before package placement.

Several methods exist for reflowing; for example, infrared/convection heating in a conveyor type oven. Throughput times (preheating, soldering and cooling) vary between 100 and 200 seconds depending on heating method.

Typical reflow peak temperatures range from 215 to 250 °C. The top-surface temperature of the packages should preferably be kept below 230 °C.

Wave soldering

Conventional single wave soldering is not recommended for surface mount devices (SMDs) or printed-circuit boards with a high component density, as solder bridging and non-wetting can present major problems.

To overcome these problems the double-wave soldering method was specifically developed.

If wave soldering is used the following conditions must be observed for optimal results:

- Use a double-wave soldering method comprising a turbulent wave with high upward pressure followed by a smooth laminar wave.
- For packages with leads on two sides and a pitch (e):
 - larger than or equal to 1.27 mm, the footprint longitudinal axis is **preferred** to be parallel to the transport direction of the printed-circuit board;
 - smaller than 1.27 mm, the footprint longitudinal axis **must** be parallel to the transport direction of the printed-circuit board.

The footprint must incorporate solder thieves at the downstream end.

- For packages with leads on four sides, the footprint must be placed at a 45° angle to the transport direction of the printed-circuit board. The footprint must incorporate solder thieves downstream and at the side corners.

During placement and before soldering, the package must be fixed with a droplet of adhesive. The adhesive can be applied by screen printing, pin transfer or syringe dispensing. The package can be soldered after the adhesive is cured.

Typical dwell time is 4 seconds at 250 °C.

A mildly-activated flux will eliminate the need for removal of corrosive residues in most applications.

Manual soldering

Fix the component by first soldering two diagonally-opposite end leads. Use a low voltage (24 V or less) soldering iron applied to the flat part of the lead. Contact time must be limited to 10 seconds at up to 300 °C.

When using a dedicated tool, all other leads can be soldered in one operation within 2 to 5 seconds between 270 and 320 °C.

Triple high speed Analog-to-Digital Converter (ADC)

TDA8752

Suitability of surface mount IC packages for wave and reflow soldering methods

PACKAGE	SOLDERING METHOD	
	WAVE	REFLOW ⁽¹⁾
BGA, SQFP	not suitable	suitable
HLQFP, HSQFP, HSOP, HTSSOP, SMS	not suitable ⁽²⁾	suitable
PLCC ⁽³⁾ , SO, SOJ	suitable	suitable
LQFP, QFP, TQFP	not recommended ⁽³⁾⁽⁴⁾	suitable
SSOP, TSSOP, VSO	not recommended ⁽⁵⁾	suitable

Notes

1. All surface mount (SMD) packages are moisture sensitive. Depending upon the moisture content, the maximum temperature (with respect to time) and body size of the package, there is a risk that internal or external package cracks may occur due to vaporization of the moisture in them (the so called popcorn effect). For details, refer to the Drypack information in the "Data Handbook IC26; Integrated Circuit Packages; Section: Packing Methods".
2. These packages are not suitable for wave soldering as a solder joint between the printed-circuit board and heatsink (at bottom version) can not be achieved, and as solder may stick to the heatsink (on top version).
3. If wave soldering is considered, then the package must be placed at a 45° angle to the solder wave direction. The package footprint must incorporate solder thieves downstream and at the side corners.
4. Wave soldering is only suitable for LQFP, TQFP and QFP packages with a pitch (e) equal to or larger than 0.8 mm; it is definitely not suitable for packages with a pitch (e) equal to or smaller than 0.65 mm.
5. Wave soldering is only suitable for SSOP and TSSOP packages with a pitch (e) equal to or larger than 0.65 mm; it is definitely not suitable for packages with a pitch (e) equal to or smaller than 0.5 mm.

Triple high speed Analog-to-Digital Converter (ADC)

TDA8752

DEFINITIONS

Data sheet status	
Objective specification	This data sheet contains target or goal specifications for product development.
Preliminary specification	This data sheet contains preliminary data; supplementary data may be published later.
Product specification	This data sheet contains final product specifications.
Limiting values	
Limiting values given are in accordance with the Absolute Maximum Rating System (IEC 134). Stress above one or more of the limiting values may cause permanent damage to the device. These are stress ratings only and operation of the device at these or at any other conditions above those given in the Characteristics sections of the specification is not implied. Exposure to limiting values for extended periods may affect device reliability.	
Application information	
Where application information is given, it is advisory and does not form part of the specification.	

LIFE SUPPORT APPLICATIONS

These products are not designed for use in life support appliances, devices, or systems where malfunction of these products can reasonably be expected to result in personal injury. Philips customers using or selling these products for use in such applications do so at their own risk and agree to fully indemnify Philips for any damages resulting from such improper use or sale.

PURCHASE OF PHILIPS I²C COMPONENTS



Purchase of Philips I²C components conveys a license under the Philips' I²C patent to use the components in the I²C system provided the system conforms to the I²C specification defined by Philips. This specification can be ordered using the code 9398 393 40011.

Triple high speed Analog-to-Digital
Converter (ADC)

TDA8752

NOTES

Philips Semiconductors – a worldwide company

Argentina: see South America

Australia: 34 Waterloo Road, NORTH RYDE, NSW 2113, Tel. +61 2 9805 4455, Fax. +61 2 9805 4466

Austria: Computerstr. 6, A-1101 WIEN, P.O. Box 213, Tel. +43 1 60 101 1248, Fax. +43 1 60 101 1210

Belarus: Hotel Minsk Business Center, Bld. 3, r. 1211, Volodarski Str. 6, 220050 MINSK, Tel. +375 172 20 0733, Fax. +375 172 20 0773

Belgium: see The Netherlands

Brazil: see South America

Bulgaria: Philips Bulgaria Ltd., Energoproject, 15th floor, 51 James Bourchier Blvd., 1407 SOFIA, Tel. +359 2 68 9211, Fax. +359 2 68 9102

Canada: PHILIPS SEMICONDUCTORS/COMPONENTS, Tel. +1 800 234 7381, Fax. +1 800 943 0087

China/Hong Kong: 501 Hong Kong Industrial Technology Centre, 72 Tat Chee Avenue, Kowloon Tong, HONG KONG, Tel. +852 2319 7888, Fax. +852 2319 7700

Colombia: see South America

Czech Republic: see Austria

Denmark: Sydhavnsgade 23, 1780 COPENHAGEN V, Tel. +45 33 29 3333, Fax. +45 33 29 3905

Finland: Sinikalliontie 3, FIN-02630 ESPOO, Tel. +358 9 615 800, Fax. +358 9 6158 0920

France: 51 Rue Carnot, BP317, 92156 SURESNES Cedex, Tel. +33 1 4099 6161, Fax. +33 1 4099 6427

Germany: Hammerbrookstraße 69, D-20097 HAMBURG, Tel. +49 40 2353 60, Fax. +49 40 2353 6300

Greece: No. 15, 25th March Street, GR 17778 TAVROS/ATHENS, Tel. +30 1 489 4339/4239, Fax. +30 1 481 4240

Hungary: see Austria

India: Philips INDIA Ltd, Band Box Building, 2nd floor, 254-D, Dr. Annie Besant Road, Worli, MUMBAI 400 025, Tel. +91 22 493 8541, Fax. +91 22 493 0966

Indonesia: PT Philips Development Corporation, Semiconductors Division, Gedung Philips, Jl. Buncit Raya Kav.99-100, JAKARTA 12510, Tel. +62 21 794 0040 ext. 2501, Fax. +62 21 794 0080

Ireland: Newstead, Clonskeagh, DUBLIN 14, Tel. +353 1 7640 000, Fax. +353 1 7640 200

Israel: RAPAC Electronics, 7 Kehilat Saloniki St, PO Box 18053, TEL AVIV 61180, Tel. +972 3 645 0444, Fax. +972 3 649 1007

Italy: PHILIPS SEMICONDUCTORS, Piazza IV Novembre 3, 20124 MILANO, Tel. +39 2 6752 2531, Fax. +39 2 6752 2557

Japan: Philips Bldg 13-37, Kohnan 2-chome, Minato-ku, TOKYO 108-8507, Tel. +81 3 3740 5130, Fax. +81 3 3740 5077

Korea: Philips House, 260-199 Itaewon-dong, Yongsan-ku, SEOUL, Tel. +82 2 709 1412, Fax. +82 2 709 1415

Malaysia: No. 76 Jalan Universiti, 46200 PETALING JAYA, SELANGOR, Tel. +60 3 750 5214, Fax. +60 3 757 4880

Mexico: 5900 Gateway East, Suite 200, EL PASO, TEXAS 79905, Tel. +9-5 800 234 7381, Fax +9-5 800 943 0087

Middle East: see Italy

Netherlands: Postbus 90050, 5600 PB EINDHOVEN, Bldg. VB, Tel. +31 40 27 82785, Fax. +31 40 27 88399

New Zealand: 2 Wagener Place, C.P.O. Box 1041, AUCKLAND, Tel. +64 9 849 4160, Fax. +64 9 849 7811

Norway: Box 1, Manglerud 0612, OSLO, Tel. +47 22 74 8000, Fax. +47 22 74 8341

Pakistan: see Singapore

Philippines: Philips Semiconductors Philippines Inc., 106 Valero St. Salcedo Village, P.O. Box 2108 MCC, MAKATI, Metro MANILA, Tel. +63 2 816 6380, Fax. +63 2 817 3474

Poland: Ul. Lukiska 10, PL 04-123 WARSZAWA, Tel. +48 22 612 2831, Fax. +48 22 612 2327

Portugal: see Spain

Romania: see Italy

Russia: Philips Russia, Ul. Usatcheva 35A, 119048 MOSCOW, Tel. +7 095 755 6918, Fax. +7 095 755 6919

Singapore: Lorong 1, Toa Payoh, SINGAPORE 319762, Tel. +65 350 2538, Fax. +65 251 6500

Slovakia: see Austria

Slovenia: see Italy

South Africa: S.A. PHILIPS Pty Ltd., 195-215 Main Road Martindale, 2092 JOHANNESBURG, P.O. Box 7430 Johannesburg 2000, Tel. +27 11 470 5911, Fax. +27 11 470 5494

South America: Al. Vicente Pinzon, 173, 6th floor, 04547-130 SÃO PAULO, SP, Brazil, Tel. +55 11 821 2333, Fax. +55 11 821 2382

Spain: Balmes 22, 08007 BARCELONA, Tel. +34 93 301 6312, Fax. +34 93 301 4107

Sweden: Kottbygatan 7, Akalla, S-16485 STOCKHOLM, Tel. +46 8 5985 2000, Fax. +46 8 5985 2745

Switzerland: Allmendstrasse 140, CH-8027 ZÜRICH, Tel. +41 1 488 2741 Fax. +41 1 488 3263

Taiwan: Philips Semiconductors, 6F, No. 96, Chien Kuo N. Rd., Sec. 1, TAIPEI, Taiwan Tel. +886 2 2134 2886, Fax. +886 2 2134 2874

Thailand: PHILIPS ELECTRONICS (THAILAND) Ltd., 209/2 Sanpavuth-Bangna Road Prakanong, BANGKOK 10260, Tel. +66 2 745 4090, Fax. +66 2 398 0793

Turkey: Talatpasa Cad. No. 5, 80640 GÜLTEPE/ISTANBUL, Tel. +90 212 279 2770, Fax. +90 212 282 6707

Ukraine: PHILIPS UKRAINE, 4 Patrice Lumumba str., Building B, Floor 7, 252042 KIEV, Tel. +380 44 264 2776, Fax. +380 44 268 0461

United Kingdom: Philips Semiconductors Ltd., 276 Bath Road, Hayes, MIDDLESEX UB3 5BX, Tel. +44 181 730 5000, Fax. +44 181 754 8421

United States: 811 East Arques Avenue, SUNNYVALE, CA 94088-3409, Tel. +1 800 234 7381, Fax. +1 800 943 0087

Uruguay: see South America

Vietnam: see Singapore

Yugoslavia: PHILIPS, Trg N. Pasica 5/v, 11000 BEOGRAD, Tel. +381 11 62 5344, Fax. +381 11 63 5777

For all other countries apply to: Philips Semiconductors, International Marketing & Sales Communications, Building BE-p, P.O. Box 218, 5600 MD EINDHOVEN, The Netherlands, Fax. +31 40 27 24825

Internet: <http://www.semiconductors.philips.com>

© Philips Electronics N.V. 1999

SCA62

All rights are reserved. Reproduction in whole or in part is prohibited without the prior written consent of the copyright owner.

The information presented in this document does not form part of any quotation or contract, is believed to be accurate and reliable and may be changed without notice. No liability will be accepted by the publisher for any consequence of its use. Publication thereof does not convey nor imply any license under patent- or other industrial or intellectual property rights.

Printed in The Netherlands

545004/750/05/pp36

Date of release: 1999 Mar 09

Document order number: 9397 750 05306

Let's make things better.

**Philips
Semiconductors**



PHILIPS