

FEATURES CRYSTAL FILTERS / QUARZFILTER

- HIGH RELIABILITY FOR LOW COST
- NARROW BANDWITH
- LOW INSERTION LOSS
- A LOT OF DIFFERENT PACKAGES ARE AVAILABLE FOR EACH REQUIREMENT
- SMALL SMD CERAMIC PACKAGE 7 x 5 x 1.4 mm³ MAX.
- EXCELLENT VIBRATION AND SHOCK RESISTANCE OF SMD-VERSIONS



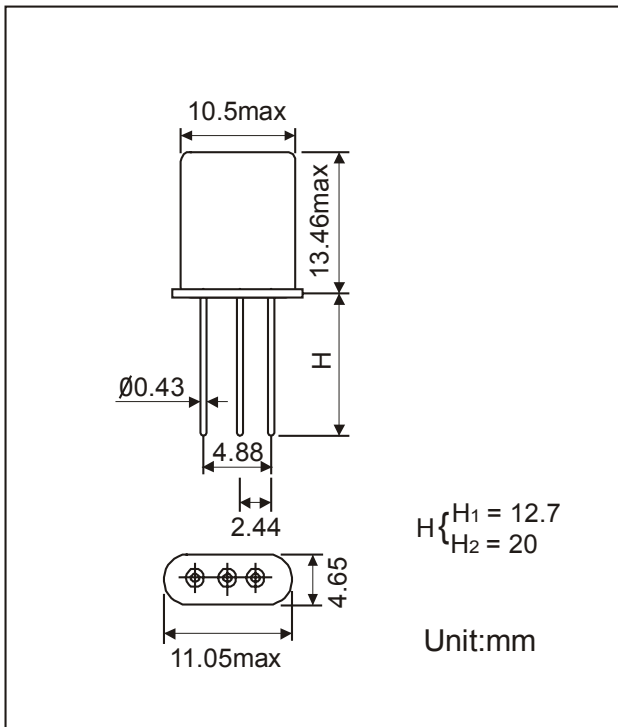
MODEL	FREQUENCY IN MHz	Pass band width (kHz)		Attenuation Band width (kHz)						Insertion Loss (dB)	Ripple (dB)	Terminating Impedance kΩ//pF	Pacakge
		3 dB	6dB	15 dB	17 dB	18 dB	40 dB	60 dB	80 dB				
KX10M7A	10.7	+3.75				-18				1.5	0.5	1.8//5.0	HC-49/U
KX10M15A	10.7	+7.5				-25				2	1	3.0//2.0	HC-49/U
KX10M15A1	10.7	+7.5				-25				2	1	3.0//2.0	HC-49/T
KX10M15A2	10.7	+7.5				-25				2	1	3.0//2.0	11.1x47x9
KX10M15B	10.7	+7.5					-25			2.5	1	3.0//1.0	(HC49/U)X2
KX10M15B1	10.7	+7.5					-25			2.5	1	3.0//1.0	(HC49/T)X2
KX10M15C	10.7		+7.5					+22.5		3	2	3.0//1.0	M-3
KX10M15D	10.7		+7.5					-15	+20	4	2	3.0//1.0	M-4
KX16M15A	16.9	+7.5					-30			2.5	1	3.0//1.0	HC-49/T
KX17M15A	17.9	+7.5				-30				2	0.5	3.0//1.0	KF-UM1
KX21M15A	21.4	+7.5				-25				1.5	0.5	1.5//2.5	KF-UM5
KX21M15A1	21.4	+7.5				-25				1.5	0.5	1.5//2.5	KF-UM1
KX21M15B	21.4	+7.5					-25			2	1	1.5//2.5	(UM-1)X2
KX27M15C	21.4		+7.5					+22.5		3	2	1.5//2.5	M-1
KX45M15A	45	+7.5				-28				2	1	4.0//1.5	KF-UM1
KX45M15B	45		+7.5				-30			3	1	4.0//1.5	KF-UM1
KX70M15A	70	+7.5				-28				2	1	2.0//1.0	KF-UM1
KX70M15B	70	+7.5					-30			3	1	2.0//1.0	KF-UM1
S17M15A	17.9	+7.5			+24					2	0.75	1.75//1.7	SMD
S21M7.5A	21.4	+3.75				+15				2	1	0.87//6.0	SMD
S21M15A	21.4	+7.5				+25				1.5	0.5	1.5//2.5	SMD
S21.7M7.5A	21.7	+3.75				+15				2	1	0.87//6.0	SMD
S21.7M15A	21.7	+7.5				+25				1.5	0.5	1.5//2.5	SMD
S45M15A	45	+7.5		+25						2	1	0.56//6.0	SMD
S45M30A	45	+15		+50						2	1	1.2//1.5	SMD
Guaranteed Attenuation		65 dB for the models S17M15A, S21M7.5A, S21M15A, S21.7M7.5A, S21.7M15A, S45M30A 60 dB for the model S45M15A											
OTHER PARAMETERS ARE AVAILABLE ON REQUEST / CREATE HERE YOUR SPECIFICATION													

PART NUMBERING SYSTEM

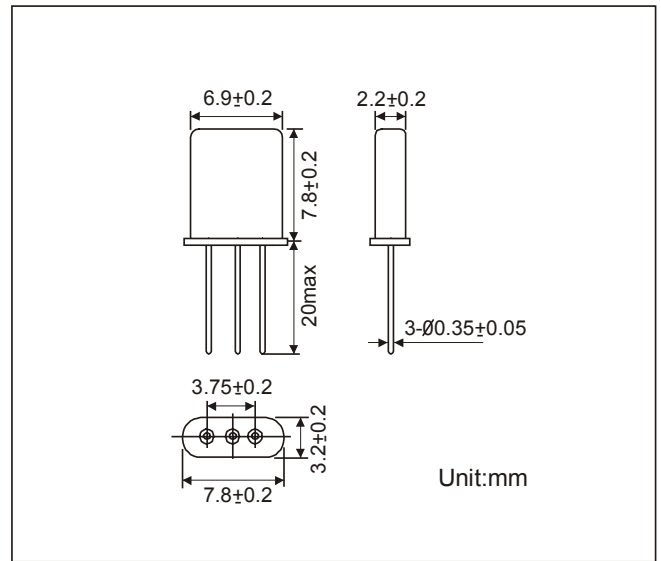
EXAMPLE	S45M30A-2
----------------	-----------

TYPE	Leaded Versions = Indicate only model number
	SMD-Version = Indicate model number and required poles (2 or 4 poles)

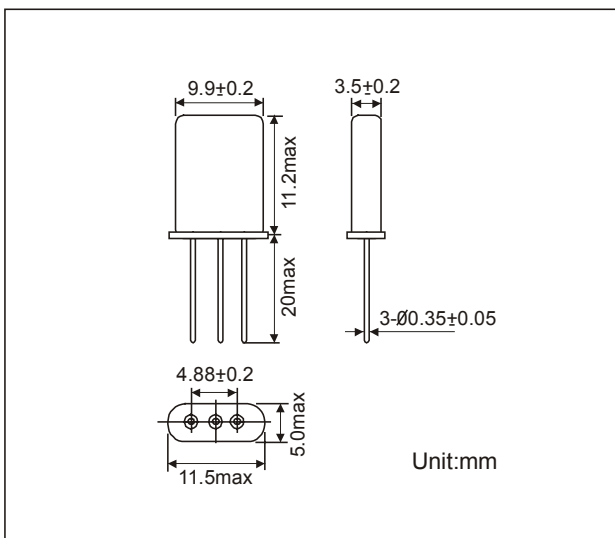
OUTLINE DRAWING OF HC-49/U



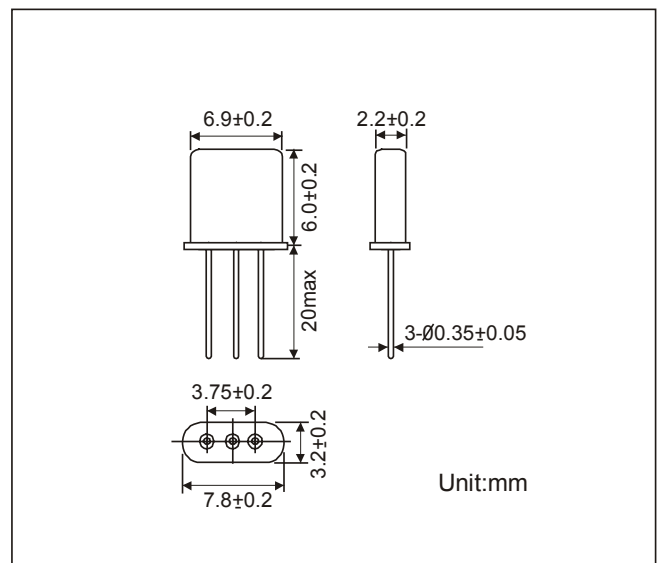
OUTLINE DRAWING OF KF-UM1



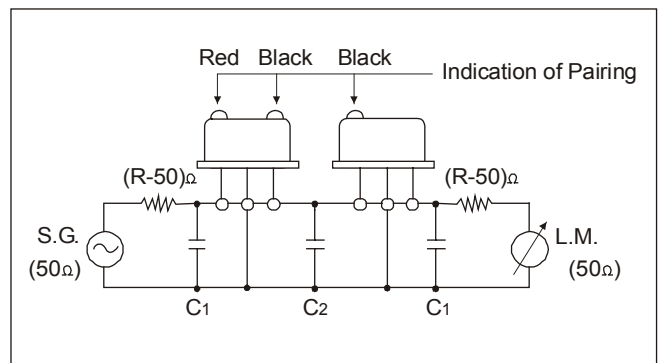
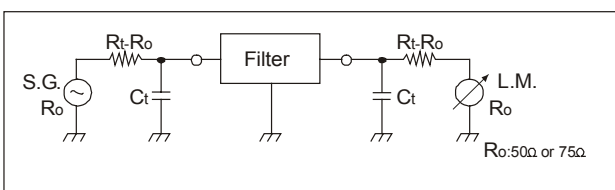
OUTLINE DRAWING OF HC-49/T



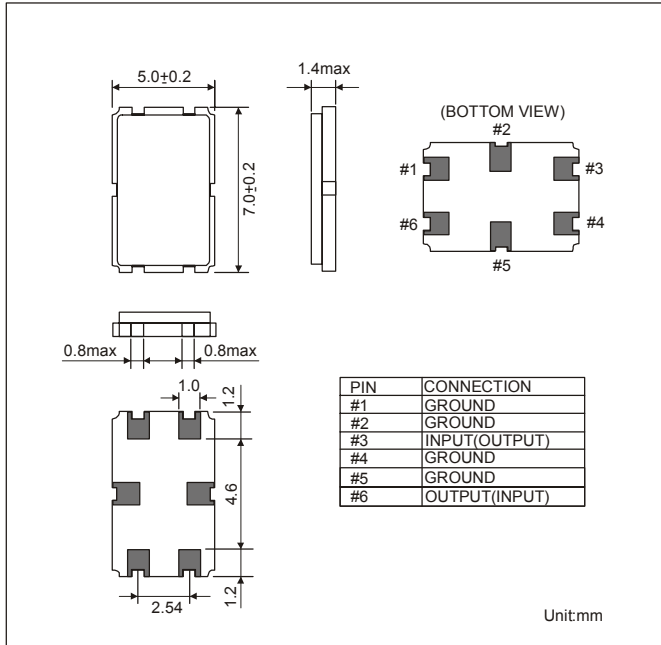
OUTLINE DRAWING OF KF-UM5



MEASURING CIRCUIT



OULINE DRAWING OF SMD-PACKAGE



RECCOMENDED LAND PATTERN

