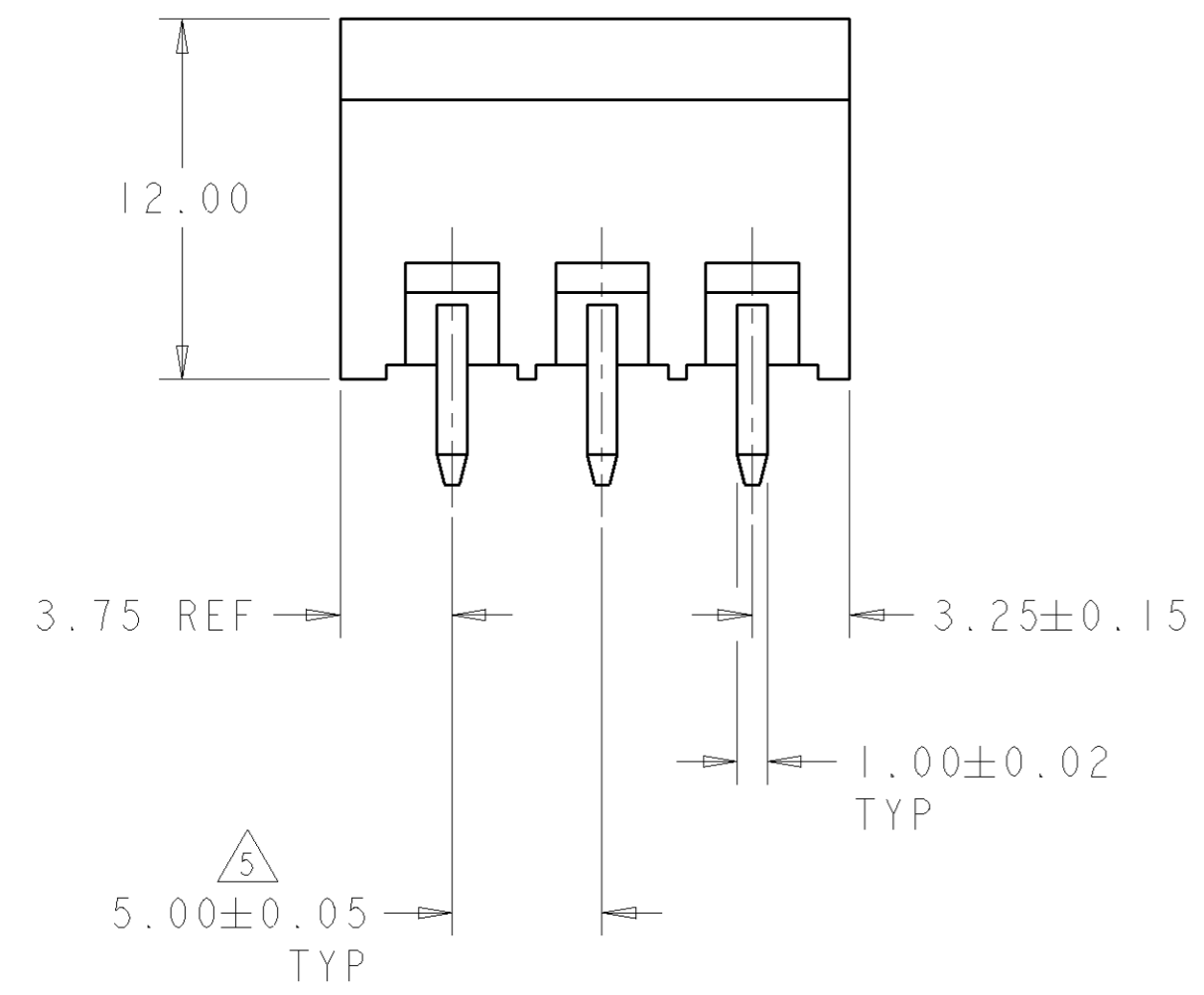
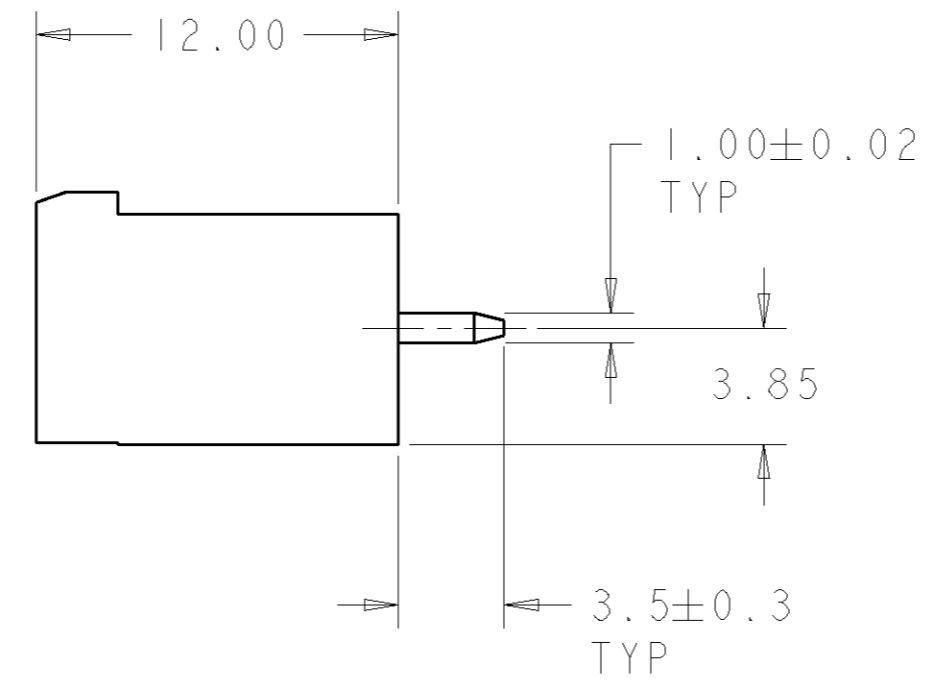
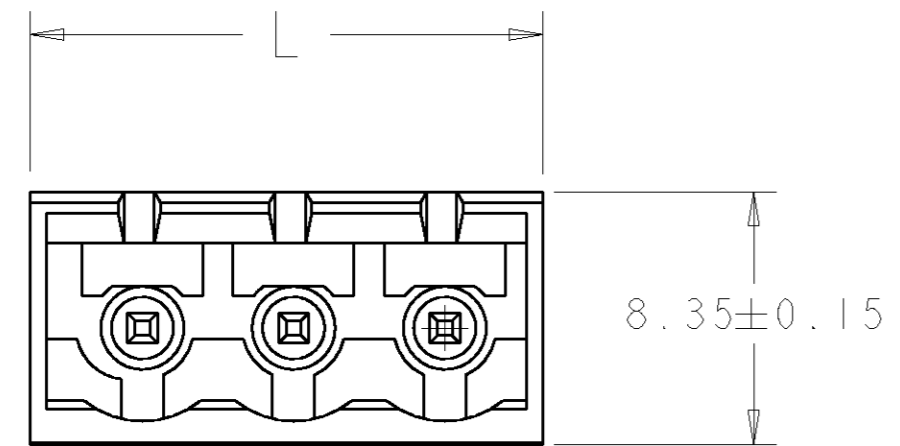


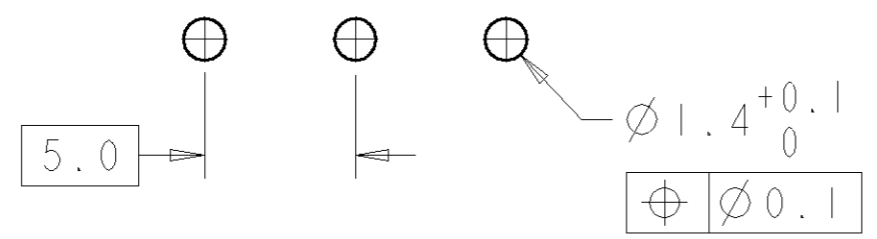
THIS DRAWING IS UNPUBLISHED. RELEASED FOR PUBLICATION 20  
 © COPYRIGHT 20 BY TYCO ELECTRONICS CORPORATION. ALL RIGHTS RESERVED.

LOC	DIST	REVISIONS			
P	LTR	DESCRIPTION	DATE	DWN	APVD
FT	0	A	RELEASED	05NOV2003	SW CR



- △ MATERIALS AND FINISH:  
 HOUSING: PA 6-6, UL 94-V0, COLOR: GRAY.  
 TERMINAL: PHOSPHOR BRONZE, TIN PLATED.
- 2. SUITABLE FOR 1,6-2, 4mm PC BOARD THICKNESS.
- 3. RECOGNIZED UNDER THE COMPONENT PROGRAM OF UNDERWRITERS LABORATORIES INC. FILE N° E60677.
- 4. IMQ CERTIFICATE WITH SURVEILLANCE IN CONFORMITY WITH IEC 998-1/998-2-1.)
- △ 5. NOT CUMULATIVE TOLERANCE
- 6. BUCHANAN LOGO TO APPEAR ON HOUSING, LOCATION OPTIONAL WHERE SPACE PERMITS.

L	NO OF POSN	PART NUMBER
127.0	25	2-1546211-5
122.0	24	2-1546211-4
117.0	23	2-1546211-3
112.0	22	2-1546211-2
107.0	21	2-1546211-1
102.0	20	2-1546211-0
97.0	19	1-1546211-9
92.0	18	1-1546211-8
87.0	17	1-1546211-7
82.0	16	1-1546211-6
77.0	15	1-1546211-5
72.0	14	1-1546211-4
67.0	13	1-1546211-3
62.0	12	1-1546211-2
57.0	11	1-1546211-1
52.0	10	1-1546211-0
47.0	9	1546211-9
42.0	8	1546211-8
37.0	7	1546211-7
32.0	6	1546211-6
27.0	5	1546211-5
22.0	4	1546211-4
17.0	3	1546211-3
12.0	2	1546211-2



RECOMMENDED PC BOARD LAYOUT

THIS DRAWING IS A CONTROLLED DOCUMENT FOR TYCO ELECTRONICS CORPORATION IT IS SUBJECT TO CHANGE AND THE CONTROLLING ENGINEERING ORGANIZATION SHOULD BE CONTACTED FOR THE LATEST REVISION.		DWN S. WELDON 05NOV2003	Tyco Electronics Harrisburg, PA 17105-3608	
DIMENSIONS: mm		CHK C. RICHARD 05NOV2003	BUCHANAN	
TOLERANCES UNLESS OTHERWISE SPECIFIED: 0 PLC ± 1 PLC ±0.3 2 PLC ±0.25 3 PLC ± 4 PLC ± ANGLES ± FINISH		APVD C. RICHARD 05NOV2003	NAME TERMINAL BLOCK HEADER ASSEMBLY 180 DEGREE, CLOSED ENDS, 5.00mm PITCH	
MATERIAL		PRODUCT SPEC -	SIZE A2	RESTRICTED TO -
		APPLICATION SPEC -	CAGE CODE 00779	DRAWING NO 1546211
		WEIGHT -	SCALE 4:1	SHEET 1
		CUSTOMER DRAWING	OF 1	REV A