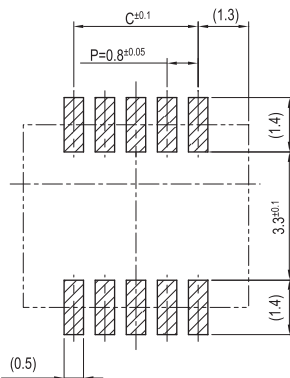
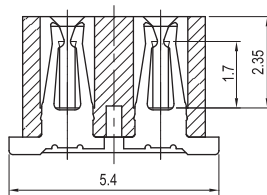
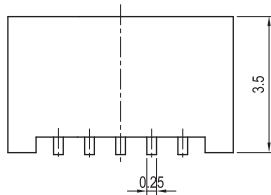
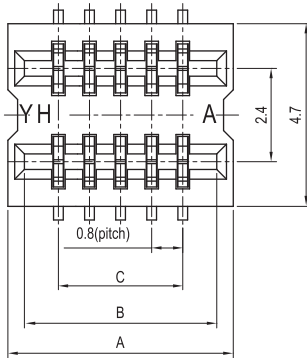
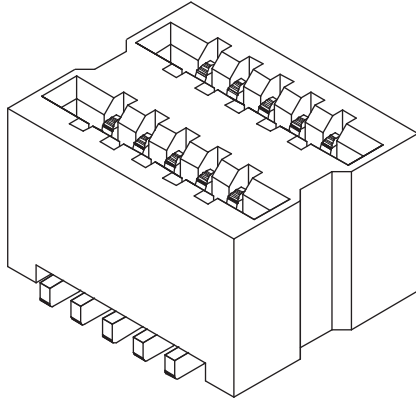


# 0.80mm (0.031") PITCH CONNECTOR

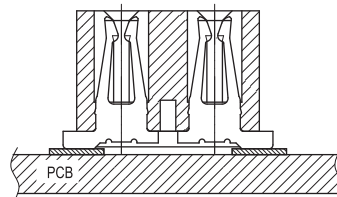


FPC/FFC Connector  
Housing

**08003HS Series**  
**SMT, NON-ZIF(Vertical Dual Type)**  
**Straight**



PCB LAYOUT



PCB ASS'Y

## Material

I/NO	DESCRIPTION	TITLE	MATERIAL
1	HOUSING	08003HS	PA6T or PA46, UL 94V Grade
2	TERMINAL	08003TS	Phosphor Bronze & Tin plated

## Available Pin

PARTS NO.	A	B	C
08003HS-10A00	5.80	4.95	3.20
08003HS-12A00	6.60	5.75	4.00
08003HS-14A00	7.40	6.55	4.80
08003HS-16A00	8.20	7.35	5.60
08003HS-18A00	9.00	8.15	6.40
08003HS-20A00	9.80	8.95	7.20
08003HS-22A00	10.60	10.55	8.00
08003HS-24A00	11.40	11.35	8.80
08003HS-26A00	12.20	12.15	9.60
08003HS-28A00	13.00	12.15	10.40
08003HS-30A00	13.80	12.95	11.20

## Specification

ITEM	SPEC
Voltage Rating	AC/DC 50V
Current Rating	AC/DC 0.5A
Operating Temperature	-25°C~+85°C
Contact Resistance	30mΩ MAX
Withstanding Voltage	AC500V/1min
Insulation Resistance	100MΩ MIN
Applicable Wire	-
Applicable P.C.B	0.8 ~ 1.6mm
Applicable FPC/FFC	0.30±0.05mm
Solder Height	0.15mm
Crimp Tensile Strength	-
UL FILE NO	-