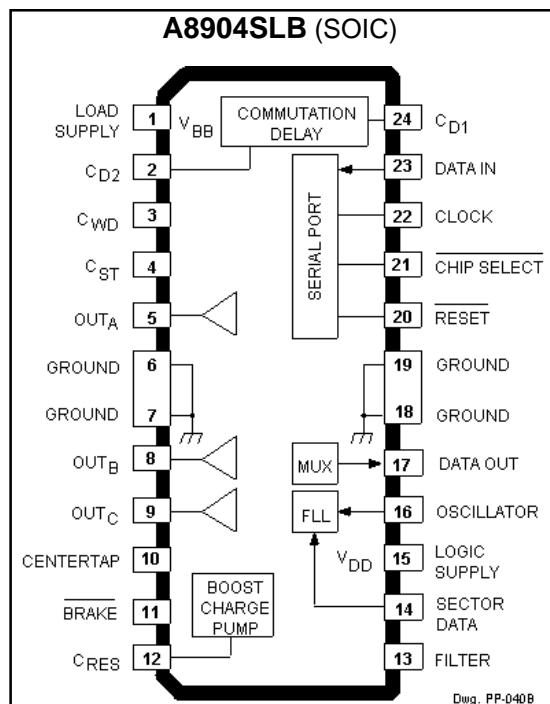


8904

3-PHASE BRUSHLESS DC MOTOR CONTROLLER/DRIVER WITH BACK-EMF SENSING



Absolute Maximum Ratings at $T_A = +25^\circ\text{C}$

| | |
|---|---|
| Load Supply Voltage, V_{BB} | 15 V |
| Output Current, I_{OUT} | $\pm 1.4 \text{ A}^*$ |
| Logic Supply Voltage, V_{DD} | 7.0 V |
| Logic Input Voltage Range, V_{IN} (continuous) | -0.3 V to $V_{DD} + 0.3 \text{ V}$ |
| ($t_w < 30 \text{ ns}$) | -1.0 V to $V_{DD} + 1.0 \text{ V}$ |
| Package Power Dissipation, P_D See Graph | |
| Operating Temperature Range, T_A | -20°C to $+85^\circ\text{C}$ |
| Junction Temperature, T_J | $+150^\circ\text{C}^\dagger$ |
| Storage Temperature Range, T_S | -55°C to $+150^\circ\text{C}$ |

* Output current rating may be restricted to a value determined by system concerns and factors. These include: system duty cycle and timing, ambient temperature, and use of any heatsinking and/or forced cooling. For reliable operation, the specified maximum junction temperature should not be exceeded.

† Fault conditions that produce excessive junction temperature will activate device thermal shutdown circuitry. These conditions can be tolerated, but should be avoided.

The A8904SLB and A8904SLP are three-phase brushless dc motor controller/drivers designed for applications where accurate control of high-speed motors is required. The three half-bridge outputs are low on-resistance n-channel DMOS devices capable of driving up to 1.2 A. The A8904 provides complete, reliable, self-contained back-EMF sensing, motor startup and running algorithms. A programmable digital frequency-locked loop speed control circuit together with the linear current control circuitry provides precise motor speed regulation.

A serial port allows the user to program various features and modes of operation, such as the speed control parameters, startup current limit, sleep mode, direction, and diagnostic modes.

The A8904 is fabricated in Allegro's BCD (Bipolar CMOS DMOS) process, an advanced mixed-signal technology that combines bipolar, analog and digital CMOS, and DMOS power devices. The A8904SLB is provided in a 24-lead wide-body SOIC batwing package. The A8904SLP is provided in a thin ($< 1.2 \text{ mm}$), 28-lead SSOP package with an exposed thermal pad.

Features

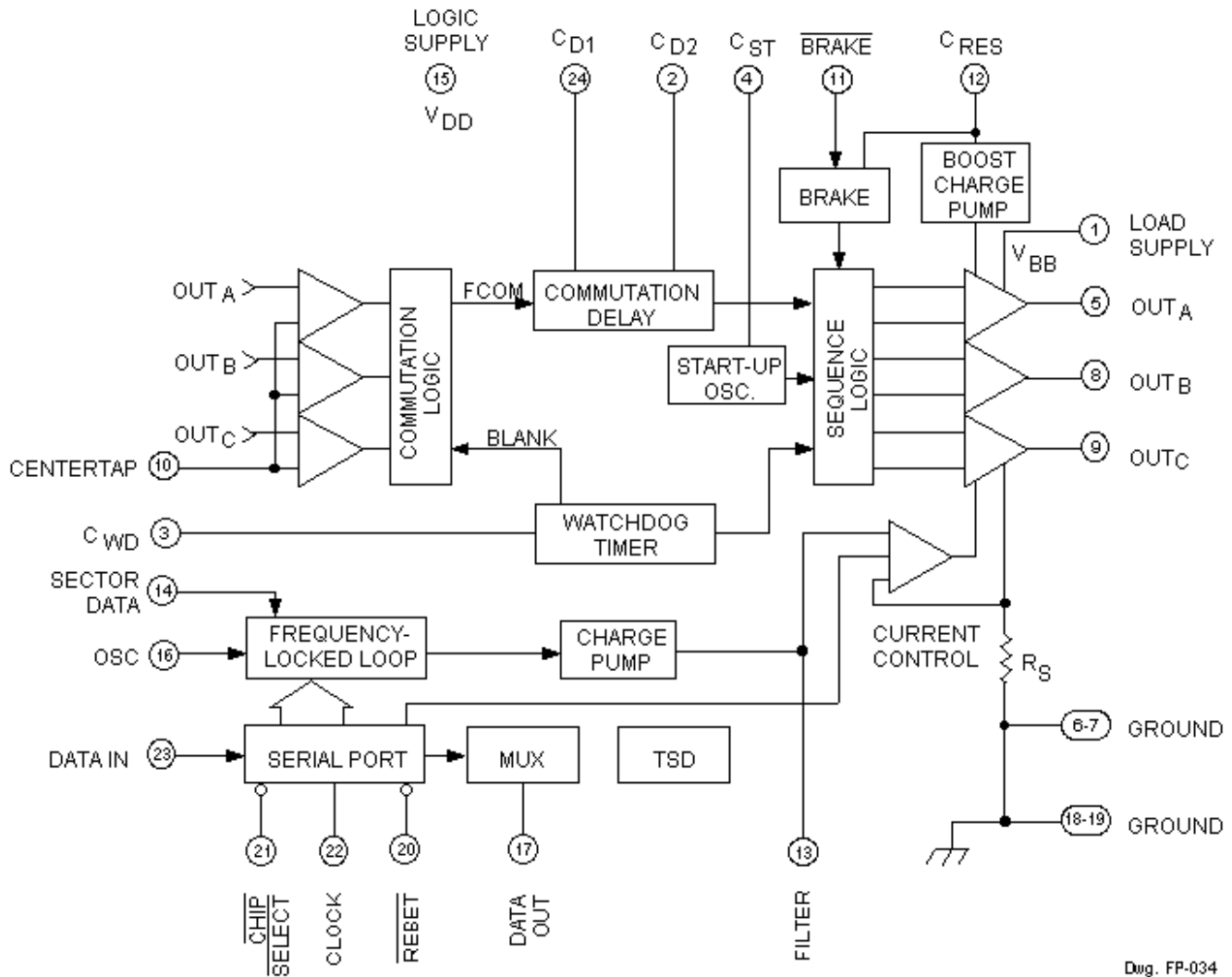
- Pin-for-pin replacement for A8902CLBA
- Startup commutation circuitry
- Sensorless commutation circuitry
- Option of external sector data tachometer signal
- Option of external speed control
- Oscillator operation up to 20 MHz
- Programmable overcurrent limit
- Transconductance gain options: 500 mA/V or 250 mA/V
- Programmable watchdog timer
- Directional control
- Serial Port Interface
- TTL-compatible inputs
- System diagnostics data out ported in real time
- Dynamic braking through serial port or external terminal

Always order by complete part number, e.g., **A8904SLB**.

8904

3-PHASE BRUSHLESS DC MOTOR CONTROLLER/DRIVER

Functional Block Diagram
(A8904SLB terminal numbers shown)

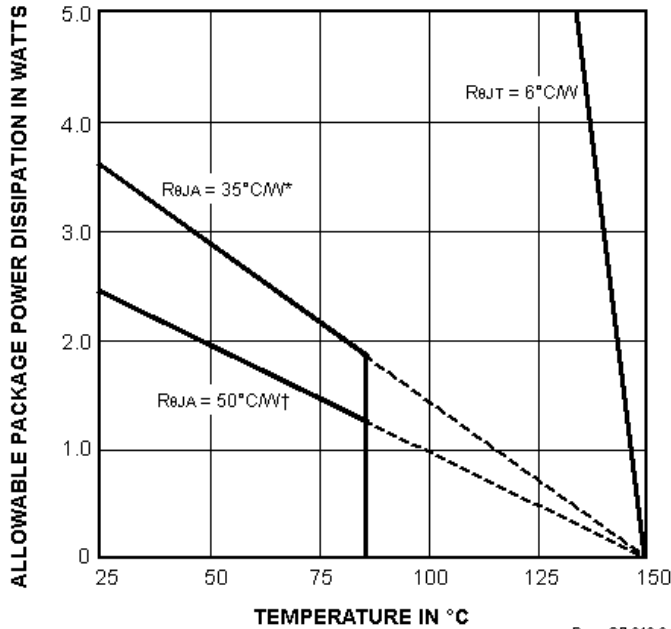


Dwg. FP-034

8904

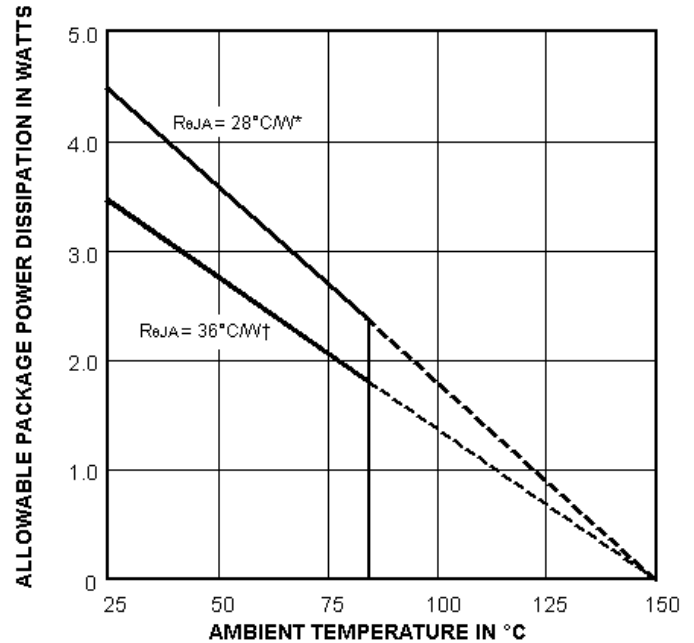
3-PHASE BRUSHLESS DC MOTOR CONTROLLER/DRIVER

LB (SOIC) Package



Dwg. GP-018-2

LP (HTSSOP) Package

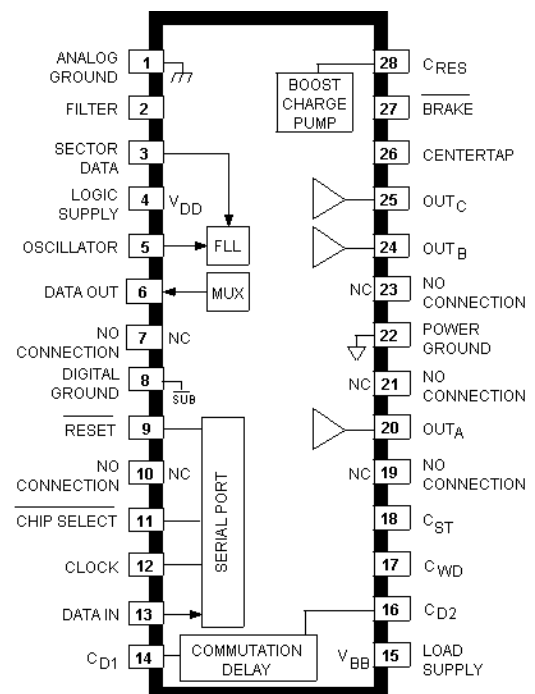


Dwg. GP-018-3

* Measured on “High-K” multi-layer PWB per JEDEC Standard JESD51-7.

† Measured on typical two-sided PWB with power tabs (LB package) or thermal pad (LP package) connected to copper foil with an area of three square inches (1935 mm²). See Application Note 29501.5, *Improving Batwing Power Dissipation*, for additional information.

A8904SLP (HTSSOP)



Dwg. PP-040-2

8904

3-PHASE BRUSHLESS DC MOTOR CONTROLLER/DRIVER

ELECTRICAL CHARACTERISTICS at $T_A = +25^\circ\text{C}$, $V_{DD} = 5.0\text{ V}$

| Characteristic | Symbol | Test Conditions | Limits | | | Units |
|---|----------------|---|--------|------|-----------|------------------|
| | | | Min. | Typ. | Max. | |
| Logic Supply Voltage | V_{DD} | Operating | 4.5 | 5.0 | 5.5 | V |
| Logic Supply Current | I_{DD} | Operating | — | 7.5 | 10 | mA |
| | | Sleep mode | — | 250 | 500 | μA |
| Undervoltage Threshold | UVLO | Decreasing V_{DD} | — | 3.6 | — | V |
| | | Increasing V_{DD} | — | 3.9 | — | V |
| Load Supply Voltage | V_{BB} | Operating | 4.0 | — | 14 | V |
| Load Supply Current | I_{BB} | Operating | — | 4.0 | 8.0 | mA |
| | | Sleep mode | — | 20 | 30 | μA |
| Thermal Shutdown | T_J | | — | 165 | — | $^\circ\text{C}$ |
| Thermal Shutdown Hysteresis | ΔT_J | | — | 20 | — | $^\circ\text{C}$ |
| Output Drivers | | | | | | |
| Output Leakage Current | I_{DSX} | $V_{BB} = 14\text{ V}$, $V_{OUT} = 14\text{ V}$, sleep mode | — | 200 | 300 | μA |
| | | $V_{BB} = 14\text{ V}$, $V_{OUT} = 0\text{ V}$ | — | -2.0 | -15 | μA |
| Total Output ON Resistance (source + sink + R_S) | $r_{DS(on)}$ | $I_{OUT} = 600\text{ mA}$ | — | 1.0 | 1.4 | Ω |
| Output Sustaining Voltage | $V_{DS(sus)}$ | $V_{BB} = 14\text{ V}$, $I_{OUT} = I_{OUT(MAX)}$, $L = 3\text{ mH}$ | 14 | — | — | V |
| Clamp Diode Forward Voltage | V_F | $I_F = 1.0\text{ A}$ | — | 1.25 | 1.5 | V |
| Control Logic | | | | | | |
| Logic Input Voltage | $V_{IN(0)}$ | SECTOR DATA, RESET, CLK, | — | — | 0.8 | V |
| | $V_{IN(1)}$ | CHIP SELECT, OSC | 2.0 | — | — | V |
| Logic Input Current | $I_{IN(0)}$ | $V_{IN} = 0\text{ V}$ | — | — | -0.5 | μA |
| | $I_{IN(1)}$ | $V_{IN} = 5.0\text{ V}$ | — | — | ± 1.0 | μA |
| BRAKE Threshold | V_{BRK} | | 1.5 | 1.75 | 2.0 | V |
| BRAKE Hysteresis Current | I_{BRKL} | $V_{BRK} = 750\text{ mV}$ | — | 4.0 | — | μA |
| BRAKE Current | I_{BRK} | Brake set, $D2 = 1$, $I_{BRK} = 750\text{ mV}$ | — | 20 | — | μA |
| DATA Output Voltage | $V_{OUT(0)}$ | $I_{OUT} = 500\text{ }\mu\text{A}$ | — | — | 1.5 | V |
| | $V_{OUT(1)}$ | $I_{OUT} = -500\text{ }\mu\text{A}$ | 3.5 | — | — | V |
| C_{ST} Current | I_{CST} | Charging | -9.0 | -10 | -11 | μA |
| | | Discharging, $V_{CST} = 2.5\text{ V}$ | — | 500 | — | μA |
| C_{ST} Threshold | V_{CSTH} | High | 2.25 | 2.5 | 2.75 | V |
| | V_{CSTL} | Low | 0.85 | 1.0 | 1.15 | V |
| Filter Current | I_{FILTER} | Charging | -9.0 | -10 | -11 | μA |
| | | Discharging | 9.0 | 10 | 11 | μA |
| | | Leakage, $V_{FILTER} = 2.5\text{ V}$ | — | — | ± 5.0 | nA |
| Filter Threshold | $V_{FILTERTH}$ | | 1.57 | 1.85 | 2.13 | V |
| C_D Current (C_{D1} or C_{D2}) | I_{CD} | Charging | -18 | -20 | -22 | μA |
| | | Discharging | 32 | 40 | 48 | μA |
| C_D Current Matching | — | $I_{CD(DISCHRG)}/I_{CD(CHRG)}$ | 1.8 | 2.0 | 2.2 | — |
| C_D Threshold | V_{CDTH} | | 2.25 | 2.5 | 2.75 | V |
| C_D Input Leakage | I_{CDIL} | | — | — | 1.0 | μA |

Continued next page ...

8904

3-PHASE BRUSHLESS DC MOTOR CONTROLLER/DRIVER

ELECTRICAL CHARACTERISTICS continued

| Characteristic | Symbol | Test Conditions | Limits | | | Units |
|---|-----------------------|----------------------------|--------|------|------|-------|
| | | | Min. | Typ. | Max. | |
| C _{WD} Current | I _{CWD} | Charging, D26 = 0, D27 = 0 | -9.0 | -10 | -11 | μA |
| | | Charging, D26 = 0, D27 = 1 | -18 | -20 | -22 | μA |
| | | Charging, D26 = 1, D27 = 0 | -27 | -30 | -33 | μA |
| | | Charging, D26 = 1, D27 = 1 | -36 | -40 | -44 | μA |
| C _{WD} Threshold Voltage | V _{TL} | | 0.22 | 0.25 | 0.28 | V |
| | V _{TH} | | 2.25 | 2.5 | 2.75 | V |
| Max. FLL Oscillator Frequency | f _{OSC} | | 20* | — | — | MHz |
| Oscillator High Duration | ton | | 20 | — | — | ns |
| Oscillator Low Duration | toff | | 20 | — | — | ns |
| Maximum Output Current | I _{OUT(MAX)} | D3 = 0, D4 = 0, D28 = 0 | 1.0 | 1.2 | 1.4 | A |
| | | D3 = 0, D4 = 1, D28 = 0 | 0.9 | 1.0 | 1.1 | A |
| | | D3 = 1, D4 = 0, D28 = 0 | 500 | 600 | 700 | mA |
| | | D3 = 1, D4 = 1, D28 = 0 | — | 250 | — | mA |
| | | D3 = 0, D4 = 0, D28 = 1 | 500 | 600 | 700 | mA |
| | | D3 = 0, D4 = 1, D28 = 1 | 415 | 500 | 585 | mA |
| | | D3 = 1, D4 = 0, D28 = 1 | — | 300 | — | mA |
| | | D3 = 1, D4 = 1, D28 = 1 | — | 125 | — | mA |
| Transconductance Gain | g _m | D28 = 1 | 210 | 250 | 290 | mA/V |
| | | D28 = 0 | 420 | 500 | 580 | mA/V |
| Centertap Resistors | R _{CT} | | 5.0 | 10 | 13 | kΩ |
| Back-EMF Threshold with respect to V _{CTAP} at FCOM transition | — | | 5.0 | 20 | 37 | mV |
| | | | -5.0 | -20 | -37 | mV |

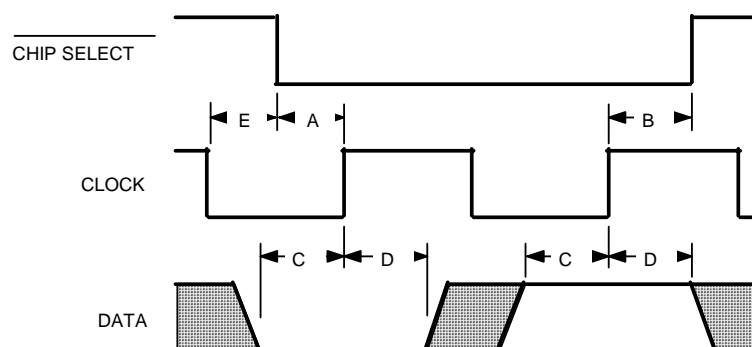
Negative current is defined as coming out of (sourcing) the specified device terminal.

* Operation at an oscillator frequency greater than the specified minimum value is possible but not warranted.

8904

3-PHASE BRUSHLESS DC MOTOR CONTROLLER/DRIVER

Serial Port Timing Conditions



Dwg. W

- A. Minimum CHIP SELECT setup time before CLOCK rising edge **100 ns**
- B. Minimum CHIP SELECT hold time after CLOCK rising edge **150 ns**
- C. Minimum DATA setup time before CLOCK rising edge **150 ns**
- D. Minimum DATA hold time after CLOCK rising edge **150 ns**
- E. Minimum CLOCK low time before CHIP SELECT **50 ns**
- F. Maximum CLOCK frequency **3.3 MHz**
- G. Minimum CHIP SELECT high time **500 ns**

Note: the A8904 can be directly used in an existing A8902-A application, as the five most significant bits are reset to zero, which is the default condition for A8902-A operation. The only consideration when using the A8904 in an A8902-A application, is to ensure the minimum CHIP SELECT high time is at least 500 ns.

8904
3-PHASE BRUSHLESS DC
MOTOR CONTROLLER/DRIVER

Terminal Functions

| Terminal Name | Function | A8904SLB (SOIC) | A8904SLP (HTSSOP) |
|---------------------------|--|-----------------|-------------------|
| LOAD SUPPLY | V_{BB} ; the 5 V or 12 V motor supply. | 1 | 15 |
| C_{D2} | One of two capacitors used to generate the ideal commutation points from the back-EMF zero crossing points. | 2 | 16 |
| C_{WD} | Timing capacitor used by the watchdog circuit to blank out the back-EMF comparators during commutation transients, and to detect incorrect motor position. | 3 | 17 |
| C_{ST} | Startup oscillator timing capacitor. | 4 | 18 |
| NC | No(internal) connection. | – | 19 |
| OUT_A | Power amplifier A output to motor. | 5 | 20 |
| NC | No (internal) connection. | – | 21 |
| GROUND | Power and logic ground and thermal heat sink. | 6-7 | – |
| POWER GROUND | Power ground. | – | 22* |
| NC | No (internal) connection. | – | 23 |
| OUT_B | Power amplifier B output to motor. | 8 | 24 |
| OUT_C | Power amplifier C output to motor. | 9 | 25 |
| CENTERTAP | Motor centertap connection for back-EMF detection circuitry. | 10 | 26 |
| BRAKE | Active low turns ON all three sink drivers shorting the motor windings to ground. External capacitor and resistor at BRAKE provide brake delay. The brake function can also be controlled via the serial port. | 11 | 27 |
| C_{RES} | External reservoir capacitor used to hold charge to drive the source drivers' gates. Also provides power for brake circuit. | 12 | 28 |
| ANALOG GROUND | Analog ground. | – | 1* |
| FILTER | Analog voltage input/output to control motor current. Also, compensation node for internal speed control loop. | 13 | 2 |
| SECTOR DATA | External tachometer input. Can use sector or index pulses from disk to provide precise motor speed feedback to internal frequency-locked loop. | 14 | 3 |
| LOGIC SUPPLY | V_{DD} ; the 5 V logic supply. | 15 | 4 |
| OSCILLATOR | Clock input for the speed reference counter. | 16 | 5 |
| DATA OUT | Thermal shutdown indicator, FCOM, TACH, or SYNC signals available in real time, controlled by 2-bit multiplexer via serial port. | 17 | 6 |
| NC | No (internal) connection. | – | 7 |
| GROUND | Power and logic ground and thermal heat sink. | 18-19 | – |
| DIGITAL GROUND | Logic ground. | – | 8* |
| \overline{RESET} | When pulled low forces the chip into sleep mode; clears all serial port bits. | 20 | 9 |
| NC | No (internal) connection. | – | 10 |
| $\overline{CHIP\ SELECT}$ | Strobe input (active low) for data word. | 21 | 11 |
| CLOCK | Clock input for serial port. | 22 | 12 |
| DATA IN | Sequential data input for the serial port. | 23 | 13 |
| C_{D1} | One of two capacitors used to generate the ideal commutation points from the back-EMF zero crossing points. | 24 | 14 |

* For the A8904SLP, ground terminals 1, 8, and 22 must be connected together externally.

8904

3-PHASE BRUSHLESS DC MOTOR CONTROLLER/DRIVER

Functional Description

Overview of operation. Each electrical revolution contains six states that control the three half-bridge outputs. Optimized switching from state to state is achieved through the adaptive commutation circuitry. During any state, one output is high, one is low and the other is high impedance. The back-EMF at the high-impedance output is sensed and compared to the voltage of the centertap and when the two signals are equivalent, the FCOM signal toggles. A controlled delay is then introduced before the sequencer commutates into the next state.

Linear current-mode control is employed to provide precision control of the motor speed while maintaining extremely low electrical noise emissions. The speed control is realized through a frequency-locked loop that processes the sensed back-EMF signals from the stator phases to eventually produce a TACH signal. The TACH signal is then compared to the desired programmed speed, to produce an error. The error signal is then used to linearly control the current through the low-side DMOS power devices to obtain the correct speed.

Alternative control schemes can be introduced, giving the user maximum flexibility and optimization for each application. An external tachometer signal applied to the SECTOR DATA input, along with the internal speed reference can be used for high-precision speed control. As another alternative, the user can introduce external speed control by driving the FILTER terminal directly.

Start-up routines are inherent in the solution to guarantee reliable start-up. During start-up, a YANK feature allows rapid transition to the nominal operating condition on the FILTER terminal. This feature is also available when the external speed control is used.

Dynamic braking can be introduced by either the external BRAKE terminal or through the brake bit in the serial port.

A serial port allows the user to program various features and modes of operation, such as motor speed, internal or external speed control, internal or external speed reference, current limit, sleep mode, direction, charge current (for blanking pulse), motor poles, transconductance gain, and various diagnostic outputs.

Full device protection is incorporated, including programmable overcurrent limit, thermal shutdown, and undervoltage shutdown on the logic supply.

Power outputs. The power outputs of the A8904 are n-channel DMOS transistors with a total source plus sink $r_{DS(on)}$ of typically 1Ω . An internal charge pump provides a voltage rail above the load supply for driving the high-side DMOS gates. Intrinsic ground clamp and flyback diodes provide protection when switching inductive loads. These diodes will also rectify the motor back-EMF during power-down conditions. If neces-

sary, a transient voltage supply can be provided, by connecting an external Schottky power diode or pass FET in series, between the power source and the load supply (V_{BB}). This FET or diode effectively isolates the low impedance path through the power source. A filter capacitor is also required to 'hold up' the rectified signal, and is connected between the load supply and ground.

Back-EMF sensing motor startup and running algorithm. The A8904 provides a complete self-contained back-EMF sensing, startup and running commutation scheme. A state machine with six states, (shown in the tables below for both forward and reverse direction) controls the three half-bridge outputs. In each state, one output is high (sourcing current), one low (sinking current), and one is OFF (high impedance or 'Z'). Motor back-EMF is sensed at the output that is OFF.

| Sequencer State (forward direction) | OUT _A | OUT _B | OUT _C |
|--|------------------|------------------|------------------|
| 1 | High | Z | Low |
| 2 | High | Low | Z |
| 3 | Z | Low | High |
| 4 | Low | Z | High |
| 5 | Low | High | Z |
| 6 | Z | High | Low |

| Sequencer State (reverse direction) | OUT _A | OUT _B | OUT _C |
|--|------------------|------------------|------------------|
| 1 | High | Z | Low |
| 6 | Z | High | Low |
| 5 | Low | High | Z |
| 4 | Low | Z | High |
| 3 | Z | Low | High |
| 2 | High | Low | Z |

At start-up, the outputs are always enabled in state 1. The back-EMF is examined at the OFF output by comparing the output voltage to the motor centertap voltage at CENTERTAP. The motor will then either step forward, step backward or remain stationary (if in a null-torque position).

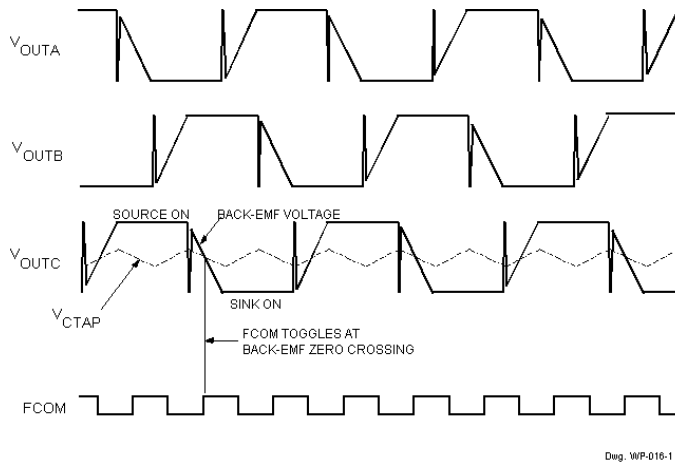
If the motor does not move during the initial start-up state, the outputs are commutated automatically by the start-up oscillator. When suitable back-EMF signals are detected, the start-up oscillator is overridden and the corresponding timing clock is generated, providing synchronous back-EMF commutation. The start-up oscillator period is determined by

$$t_{CST} = (V_{CSTH} - V_{CSTL}) \times C_{ST} / I_{ST(Charge)}$$

where C_{ST} is the start-up capacitor.

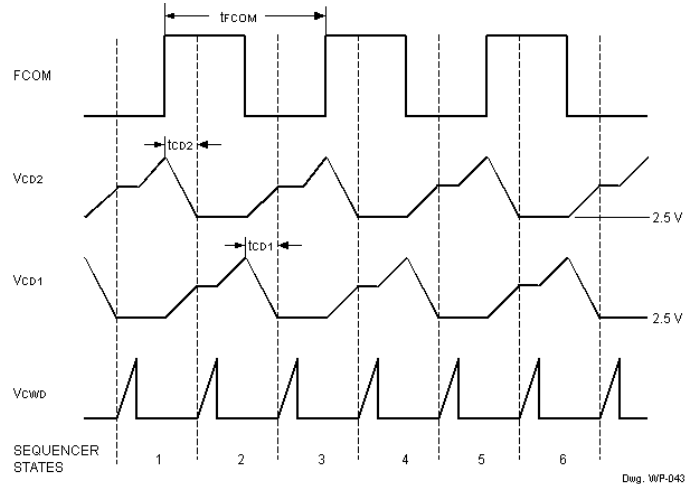
Functional Description (cont'd)

If the motor moves, the back-EMF detection and direction circuit waits for the correct polarity of back-EMF zero crossing (output crossing through centertap). If the correct polarity of back-EMF is not detected, a watchdog circuit commutates the output until the correct back-EMF is detected. Correct back-EMF sensing is indicated by the FCOM signal, which toggles every time the back-EMF completes a zero crossing (see waveforms below). FCOM is available at the DATA OUT terminal.



True back-EMF zero crossings are used by the adaptive commutation delay circuit to advance the state sequencer (commutate) at the proper time to synchronously run the motor. See next section.

Adaptive commutation delay. The adaptive commutation delay circuit uses the back-EMF zero-crossing indicator signal (FCOM) to determine an optimal commutation time for efficient synchronous switching of the output drivers. When the FCOM signal changes state, one of the delay capacitors (C_{D1} or C_{D2}) is discharged at approximately twice the rate of the charging current. When the capacitor reaches the 2.5 V threshold, a commutation occurs. During this discharge period, the other delay capacitor is being charged in anticipation of the next FCOM state change. In addition, there is an interruption to the charging, which is set by the blanking duration (see waveform below, V_{CWD} , and next section). This additional charging delay causes the commutation to occur at slightly less than 50% of the FCOM on or off duration, to compensate for delays caused by winding inductance.



The typical delta voltage change during normal operation in the commutation capacitors (C_{D1} & C_{D2}), will range between 1.5 V and 2.0 V. The commutation capacitor values can be determined from:

$$C_{DX} = I_{CD} \times t / V_{CD}$$

where $V_{CD} = 1.5$ V, $I_{CD} = 20$ μ A, and $t = (60/\text{rpm})/(\#\text{motor poles} \times 3)$, duration of each state.

To avoid the capacitors charging to the supply rail, the value selected should provide adequate margin, taking into account the effects of capacitor tolerance, charging current, etc.

Blanking and watchdog timing functions. The blanking and watchdog timing functions are derived from one timing capacitor C_{WD} .

During normal commutation, at the beginning of each new sequencer state, a blanking signal is created until the watchdog capacitor C_{WD} is charged to the threshold V_{TL} (see waveforms below). This blanking signal prohibits the back-EMF comparators from tripping due to the discharging of inductive energy and voltage settling transients during sequence state transitions. The duration of this blanking signal depends on the size of the C_{WD} capacitor and the programmed charge current, I_{CWD} (via D26-27). This blanking pulse also interrupts the commutation delay capacitors C_{D1} and C_{D2} from charging (see previous section).

The ability to select the minimum charge current for C_{WD} is particularly useful during start-up, where the duration of the diode recirculation current is highest. In applications where high motor speeds are experienced, the charge current can be increased so that the blanking period does not encroach significantly into the period of each sequencer state and does not cause

8904

3-PHASE BRUSHLESS DC MOTOR CONTROLLER/DRIVER

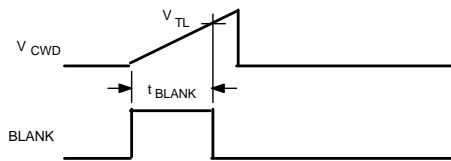
Functional Description (cont'd)

unbalance in the commutation points.

It is recommended to select the value of C_{WD} in the actual application circuit with the A8904 put into step mode. C_{ST} should be reselected (only for this test), to be between $4.7 \mu\text{F}$ and $10 \mu\text{F}$, so that the motor comes to rest between steps and the maximum diode conduction time can be measured. The value of C_{WD} can be determined as:

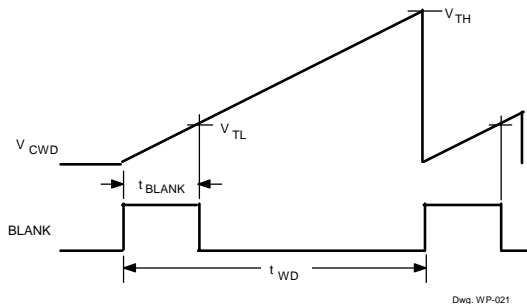
$$C_{WD} = I_{CWD} \times t_d / V_{TL}$$

where t_d = measured diode conduction, I_{CWD} = charge current at start-up, and V_{TL} = 250 mV.



Dwg. WP-022

Normal commutation



Dwg. WP-021

Watchdog-triggered commutation

After the watchdog capacitor C_{WD} charges to the V_{TL} threshold, and if the correct polarity of back-EMF signal is detected, the back-EMF detection circuit discharges C_{WD} to zero volts (see waveform above) and the circuit is ready to detect the next back-EMF zero crossing.

If the correct polarity of back-EMF is not detected between the blanking period, t_{BLANK} , and the watchdog period, t_{WD} , then the back-EMF detection circuit does not allow the watchdog capacitor C_{WD} to be discharged and the watchdog circuit commutates the outputs to the next sequencer state (see waveform above). This mode of operation continues until a suitable back-EMF signal is detected. This function is useful in preventing excessive reverse rotation, and helps in resynchronising (or starting) with a moving spindle.

The duration of the watchdog-triggered commutation is determined by:

$$t_{WD} = V_{TH} \times C_{WD} / I_{CWD}$$

where I_{CWD} = normal charge current.

Speed control. The actual speed of the motor is measured by either internally sensing the back-EMFs or by an external scheme via the SECTOR DATA terminal. A TACH signal is produced from these signals, which is then compared against the desired speed, which is programmed into a 14-bit counter (see diagram and waveforms below - assumes internal scheme used). The resulting error signal, ERROR, is then used to charge or discharge the FILTER terminal capacitor depending on whether the motor is running too slow or too fast. The FILTER terminal voltage is used to linearly drive the low-side MOSFETs to match the desired speed.

Each back-EMF signal detected causes the state of the FCOM signal to change. The number of FCOM transitions per mechanical revolution is equal to the number of poles times 3. For example, with a 4-pole motor (as shown on next page), the number of FCOM transitions will equal 12 per mechanical revolution. The number of poles are programmed via serial port bits D20 and D21. There are six electrical states per electrical revolution, therefore, for this example, there are 12 commutations or two electrical revolutions per mechanical revolution.

The TACH signal changes state once per mechanical revolution and as well as providing information on the actual motor speed is also used to trigger the REF counter which contains the information on the desired motor speed. Alternatively an external TACH signal can be used, an explanation of which is presented in the Sector Mode Section.

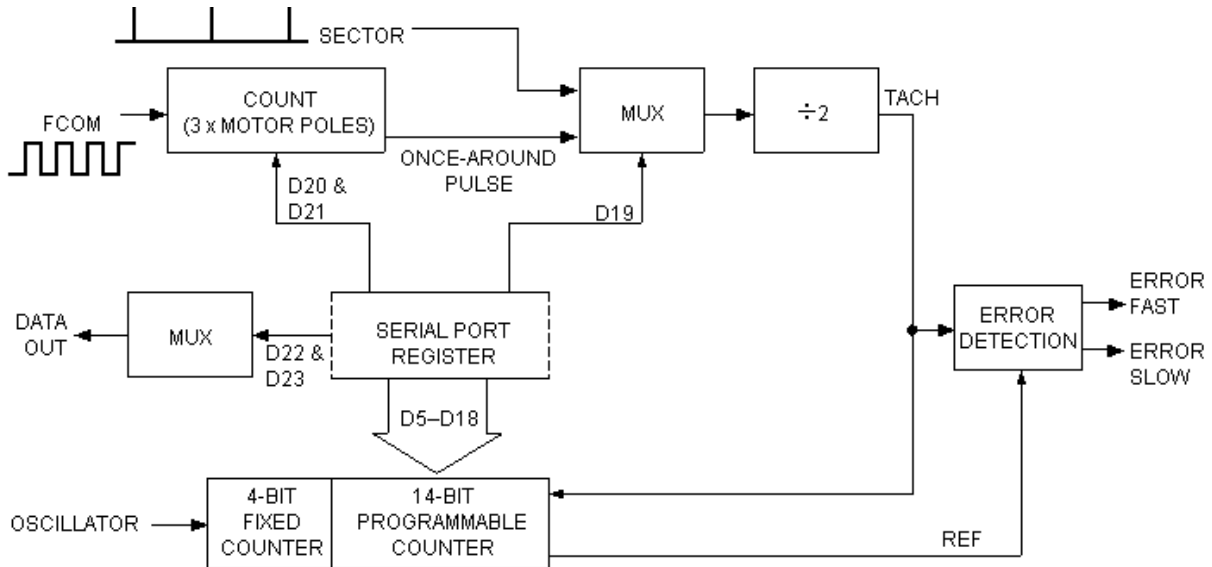
The duration of REF is set by programming the counter to count the desired number of OSCILLATOR cycles, according to the following:

$$\text{total count} = 60 \times f_{OSC} / \text{desired motor speed (rpm)}$$

where the total count (number of oscillator cycles) is equal to the sum of the count numbers selected through bits D5 to D18 in the serial port and f_{OSC} corresponds to the OSCILLATOR frequency.

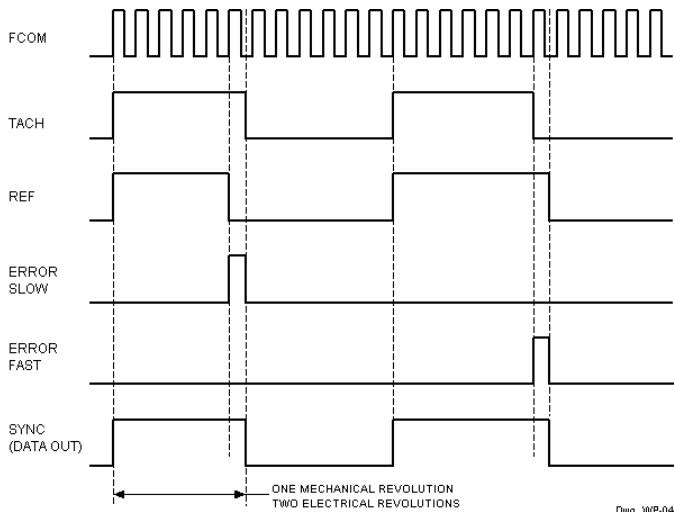
8904 3-PHASE BRUSHLESS DC MOTOR CONTROLLER/DRIVER

Functional Description (cont'd)



Dwg. EP-045-1

Speed error detection



Dwg. WP-044

Speed error signals

A speed error signal is created by integrating the differences between the TACH and REF signal. If the TACH signal goes low before the REF signal then an ERROR FAST is produced and if the TACH signal goes low after the REF signal then an ERROR SLOW is produced. The error signal generated enables the appropriate current source (see diagram next page) to either charge or discharge the filter components on the FILTER terminal.

The FILTER voltage is then used to provide linear current control in the windings via the transconductance stage (see diagram next page). The output current is sensed through an internal sense resistor, R_S . The voltage across the sense resistor is compared to the lowest of either one-tenth of the voltage at the FILTER terminal, minus the filter threshold voltage, or to the maximum current limit reference.

Alternatively, external control of the FILTER terminal can be introduced by disabling the frequency-lock loop circuitry ($D24 = 1$).

The transconductance function is defined as:

$$I_{OUT} = (V_{FILTER} - V_{FILTERTH}) / (10 \times R_S \times G)$$

where R_S is nominally 200 m Ω ,

$V_{FILTERTH}$ is approximately 1.85 V,

$G = 1$, when $D28 = 0$ and gain = 500 mA/V or

$G = 2$, when $D28 = 1$ and gain = 250 mA/V.

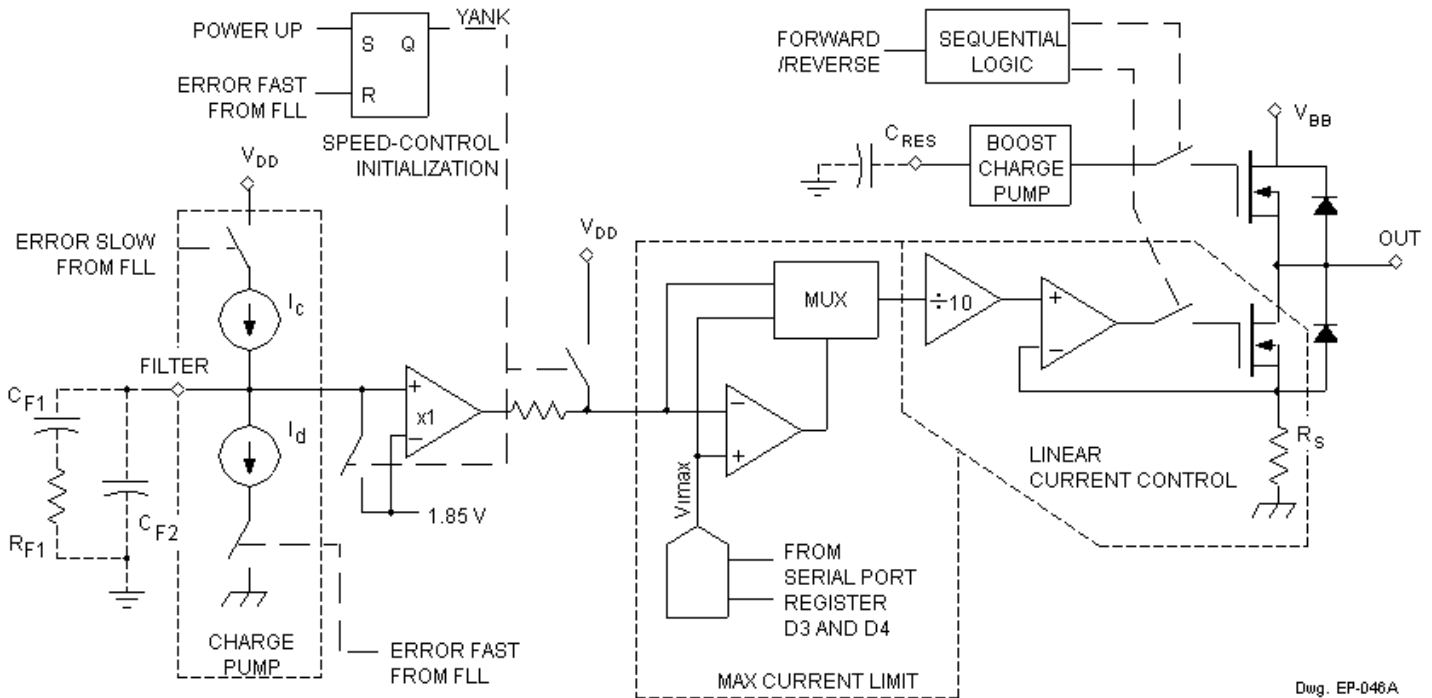
The closed loop control response of the overall system is shaped via the filter components that are introduced at the FILTER terminal.

Clamping the current to a level defined by the serial port ($D3$ & $D4$) provides output current limit protection. This feature is particularly useful where high transient currents are experienced, e.g., during start-up. Once normal running conditions are reached, the current limit can be appropriately reduced. Note that the current limit is scaled according to the g_m value selected.

8904

3-PHASE BRUSHLESS DC MOTOR CONTROLLER/DRIVER

Functional Description (cont'd)



Dwg. EP-046A

Speed and current control

Sector mode. An external tachometer signal, such as sector or index pulses, can be used to create the TACH signal, rather than the internally generated once-around scheme. The external signal is applied to the SECTOR DATA terminal and the serial port bit (D19 = 1) must be programmed to enable this feature.

In applications where both internal and external TACH signals are used, it is important to only switch between modes when the SYNC signal on DATA OUT is low. This ensures the speed control information that is being processed during the transition, is not corrupted. SYNC is accessed through the DATA OUT multiplexer, which is controlled by D22 & D23.

DATA OUT. The DATA OUT terminal is the output of a 2-bit input multiplexer controlled by D22 & D23 of the serial port. Data available are TACH signal (internally or externally generated), SYNC signal, FCOM signal, and thermal shutdown (LOW = A8904 operating within thermal limits, HIGH = thermal shutdown has occurred).

Speed loop initialization (YANK). To ensure rapid transition from start-up to the normal operating condition, the FILTER terminal is pulled up to the filter threshold voltage,

V_{FILTERTH} , by the internal YANK command and the initial output current will be set to the maximum selected current limit. This condition is maintained until the motor reaches the correct speed and the first ERROR FAST signal is produced which removes the YANK and allows linear current control.

The YANK feature is also activated when an external speed control scheme is used (D24 = 1). To ensure the YANK is released at start-up by the internal speed control, it is important to ensure the speed reference is set at a lower speed than what the motor is designed to run at. Note that when the serial port is programmed to run initially, the default condition for the speed is set for the slowest condition so this will guarantee the YANK to be released. It is important when using external speed control that, as a minimum, the number of poles, speed control mode, and speed reference are programmed in the serial port.

Forward/reverse. Directional control is managed through D25 in the serial port.

Serial port. Control features and diagnostic data selection are communicated to the A8904 through the 29-bit serial port. See serial port timing diagrams on page 6. When CHIP SELECT is low, data is written to the serial port on the positive edge of the clock with the MSB (D28) fed in first. At the end of

8904

3-PHASE BRUSHLESS DC MOTOR CONTROLLER/DRIVER

Functional Description (cont'd)

the write cycle, the CHIP SELECT goes high, the serial port is disabled and no more data can be transferred. In addition, the data written to the serial port is latched and becomes active.

If a word of less than 29 bits is sent, the unused most significant bits that are not programmed, are reset to zero. There are no compatibility issues when using the A8904 in an existing A8902-A application as the five MSBs are reset to zero, which is the default condition for A8902-A operation. The only consideration when using the A8904 in an A8902-A application is to ensure the minimum CHIP SELECT high time is at least 500 ns.

D0 - Sleep/Run Mode; LOW = Sleep, HIGH = Run. This bit allows the device to be powered down when not in use.

D1 - Step Mode; LOW = Normal Operation, HIGH = Step Only. When in the step-only mode the back-EMF commutation circuitry is disabled and the start-up oscillator commutates the power outputs. This mode is intended for device and system testing.

D2 - Brake; LOW = Run, HIGH = Brake.

D3, D4, and D28 - The output current limit is set by D3 & D4; D28 sets the transconductance gain.

| D3 | D4 | D28 | Current limit (typical) | Transconductance gain |
|----|----|-----|-------------------------|-----------------------|
| 0 | 0 | 0 | 1.2 A | 500 mA/V |
| 0 | 1 | 0 | 1.0 A | 500 mA/V |
| 1 | 0 | 0 | 600 mA | 500 mA/V |
| 1 | 1 | 0 | 250 mA | 500 mA/V |
| 0 | 0 | 1 | 600 mA | 250 mA/V |
| 0 | 1 | 1 | 500 mA | 250 mA/V |
| 1 | 0 | 1 | 300 mA | 250 mA/V |
| 1 | 1 | 1 | 125 mA | 250 mA/V |

D5 to D18 - 14-bit word, active low. Programs the count number to produce the corresponding REF signal, which indicates the desired motor speed.

| Bit number | Count number |
|------------|--------------|
| D5 | 16 |
| D6 | 32 |
| D7 | 64 |
| D8 | 128 |
| D9 | 256 |
| D10 | 512 |
| D11 | 1,024 |
| D12 | 2,048 |
| D13 | 4,096 |
| D14 | 8,192 |
| D15 | 16,384 |
| D16 | 32,768 |
| D17 | 65,536 |
| D18 | 131,072 |

D19 - Speed control mode; LOW = internal, once-around speed signal, HIGH = external sector data.

D20 and D21 - Programs the number of motor poles for the once-around FCOM counter.

| D20 | D21 | Motor poles |
|-----|-----|-------------|
| 0 | 0 | 8 |
| 0 | 1 | 4 |
| 1 | 0 | 16 |
| 1 | 1 | 12 |

D22 and D23 - Controls the multiplexer for DATA OUT. See DATA OUT Section for status definitions.

| D22 | D23 | DATA OUT |
|-----|-----|-------------------------------------|
| 0 | 0 | TACH (once around or sector) signal |
| 0 | 1 | Thermal shutdown |
| 1 | 0 | SYNC signal |
| 1 | 1 | FCOM signal |

D24 - Speed Reference. LOW = Internal, using back-EMF technique, HIGH = External (internal control disabled).

D25 - Direction. LOW = Forward, HIGH = Reverse.

D26 and D27 - Programs the charging current for the watchdog capacitor. This function is used for adjusting the blanking duration and also the watchdog commutation period.

| D26 | D27 | Watchdog charge current (typical) |
|-----|-----|-----------------------------------|
| 0 | 0 | -10 μ A |
| 0 | 1 | -20 μ A |
| 1 | 0 | -30 μ A |
| 1 | 1 | -40 μ A |

8904

3-PHASE BRUSHLESS DC MOTOR CONTROLLER/DRIVER

Functional Description (cont'd)

D28 - Programs the transconductance gain. LOW = 500 mA/V, HIGH = 250 mA/V.

Reset. When the RESET terminal is pulled low, all the serial port bits are reset to LOW and the part operates in sleep mode.

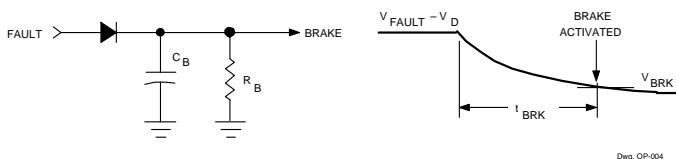
Undervoltage lockout, V_{DD} . When an undervoltage condition occurs, all the serial port bits are reset to LOW and the part operates in sleep mode.

Charge pump. The charge pump is required to provide a voltage rail above the load supply for driving the high-side DMOS gates. In addition the charge pump supply capacitor, C_{RES} , also powers the brake control circuit during power-down conditions. C_{RES} should be 220 nF.

Braking. A dynamic braking feature of the A8904 shorts the three motor windings to ground. This is accomplished by turning the three source drivers OFF and the three sink drivers ON. Activation of the brake can be implemented through the BRAKE input or through the D2 bit in the serial port.

The supply voltage for the brake circuit is derived from the charge pump supply capacitor, C_{RES} . With C_{RES} chosen to be 220 nF, the brake circuit will function for at least 100 ms after a power failure.

In certain applications such as disk drives, it is desirable to include a brake delay to allow sensitive circuitry such as the disk head to retract before activating the spindle motor brake. The brake delay can be simply implemented by using an external RC and diode to control the brake terminal.



The brake delay can be set using the equation:

$$t_{BRK} = -R_B C_B \times \ln (V_{BRK} / [V_{FAULT} - V_D]).$$

Once the brake is activated, the three sink drivers will remain active until the supply rails fall below the operating range. It is recommended that the part is reset before restarting.

Centertap. It is recommended that the centertap connection of the motor be connected to the CENTERTAP terminal. If the centertap of the motor is not connected to the CENTERTAP terminal, the A8904 internally emulates the centertap voltage of the motor through a series of 10 k Ω resistors connected between each output and CENTERTAP. This technique does not provide ideal commutation points.

External component selection. All capacitors should be rated to at least 25 V and the dielectric should be X7R, apart from the start-up capacitor C_{ST} , which can be Z5U dielectric or equivalent and the input capacitor C_{filter} , which should be an electrolytic type of value greater than 100 μ F, 35 V, $I_{ripple} > 100$ mA. If the solution experiences ambient temperatures of greater than 70°C then C_{filter} should be rated for 105°C.

All resistors are at least 1/8 W and have a tolerance of $\pm 5\%$.

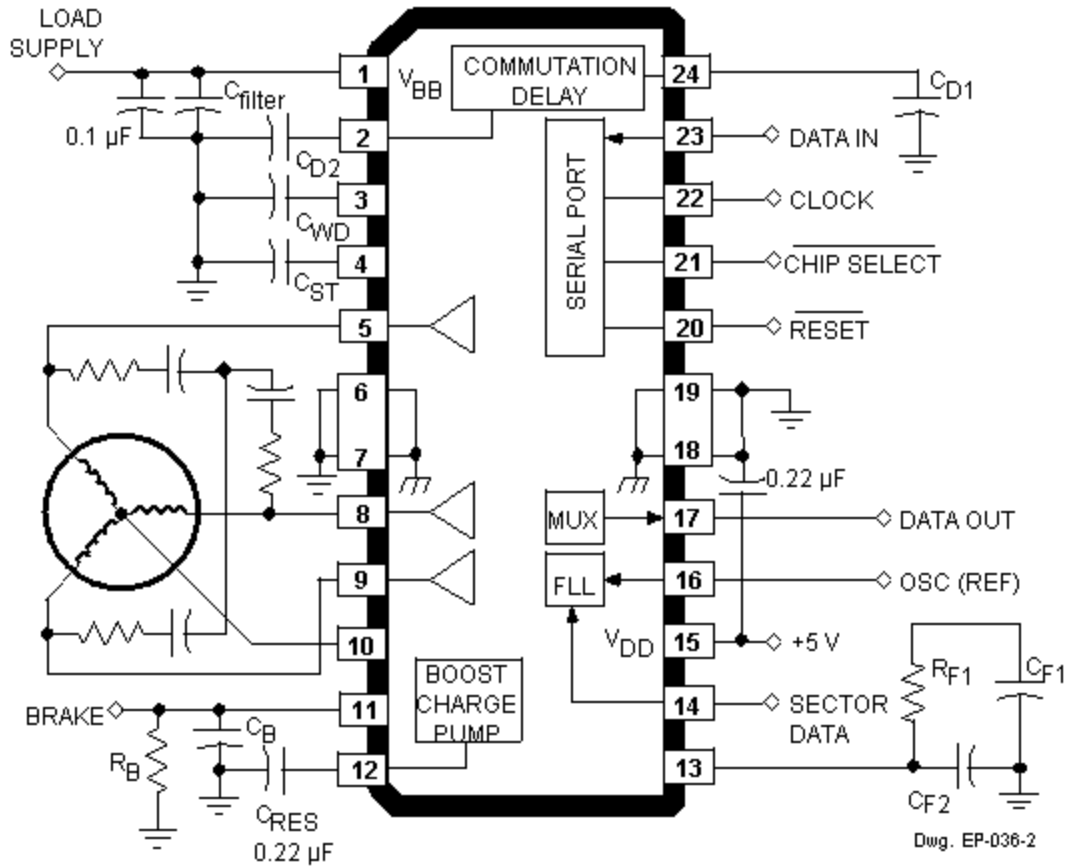
In noise-sensitive systems where electromagnetic interference is an issue, or to stabilize the current waveforms with certain motors, it may be necessary to add RC snubbers across the motor windings as shown in the application circuit on the next page. The A8904 solution should be relatively noise immune from the effects of switching voltage spikes etc. if the correct watchdog capacitor has been selected for optimum blanking and good layout practices are implemented.

At the range of operating frequencies that the current pulses are drawn out of the load supply, it is the capacitance reactance as opposed to the ESR that dominates the overall impedance of the input filter, C_{filter} . Therefore, it is possible to reduce conducted electromagnetic emissions further, by simply increasing the value of C_{filter} . In extremely sensitive systems, it may be necessary to introduce a differential mode inductor in series with the load supply line.

Layout considerations. The HTSSOP part (A8904SLP) has three separate ground connections, analog, digital, and power that must be connected together externally. A ground plane should be used to provide heat sinking for the power switches and the reduction of potential noise pick-up through inductive loops and radiated emissions. The ground plane should cover the area beneath the A8904 and extend beyond the outline to form a plane around all the external components. The exposed thermal pad of the HTSSOP part should be connected to the ground plane.

Filter components, especially C_{filter} , timing, and delay capacitors should be positioned as close as possible to the device terminals. It is also imperative that the traces to the serial port and oscillator are as short and as wide as possible to reduce stray inductance and prevent potential data corruption. In addition, these traces should be positioned well away from any noisy signals.

8904 3-PHASE BRUSHLESS DC MOTOR CONTROLLER/DRIVER

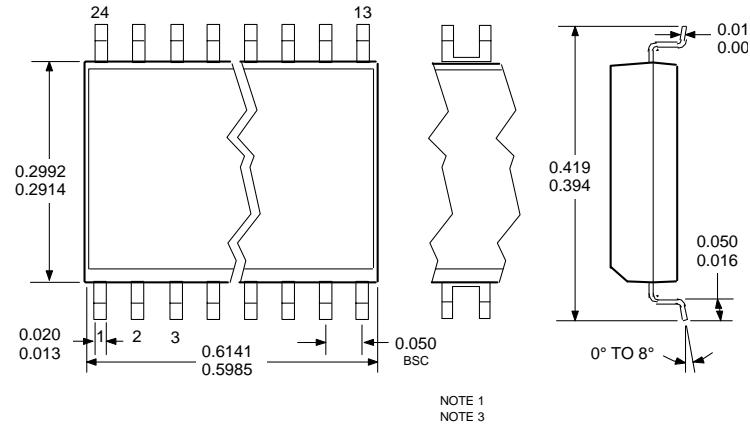


Typical application
(A8904SLB)

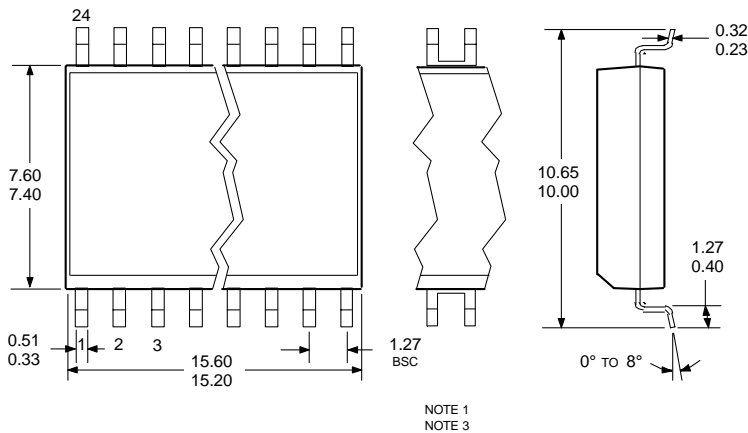
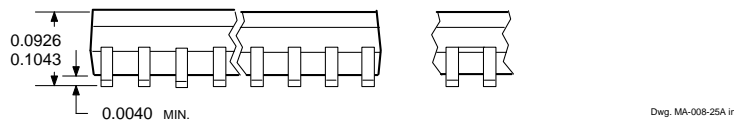
8904

3-PHASE BRUSHLESS DC MOTOR CONTROLLER/DRIVER

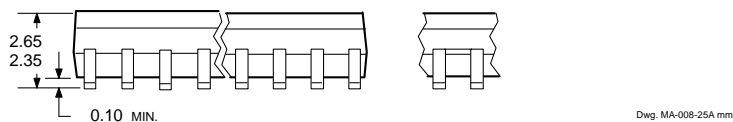
A8904SLB (SOIC)



Dimensions in Inches
(for reference only)



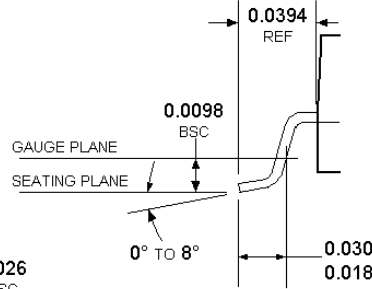
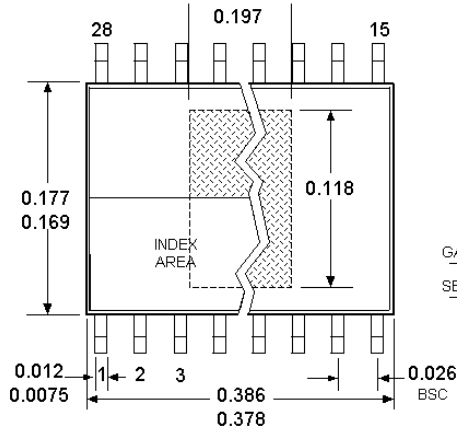
Dimensions in Millimeters
(controlling dimensions)



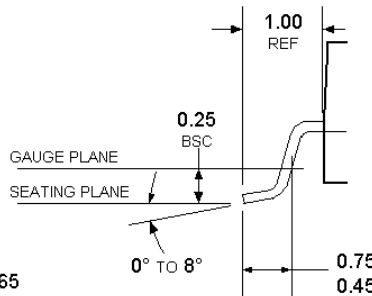
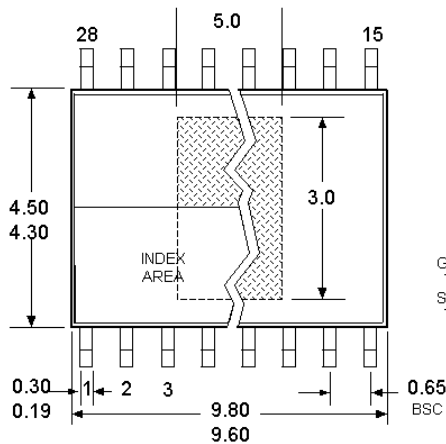
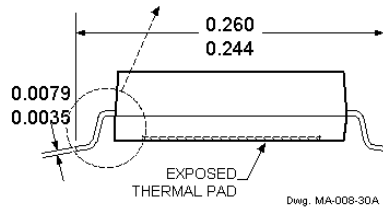
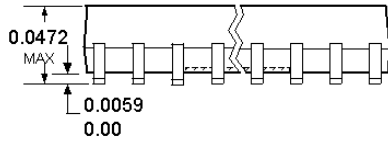
- NOTES:
1. Webbed lead frame. Leads 6, 7, 18, and 19 are internally one piece.
 2. Lead spacing tolerance is non-cumulative.
 3. Exact body and lead configuration at vendor's option within limits shown.
 4. Supplied in standard sticks/tubes of 31 devices or add "TR" to part number for tape and reel.

8904 3-PHASE BRUSHLESS DC MOTOR CONTROLLER/DRIVER

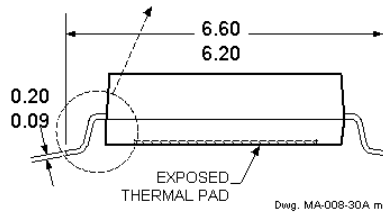
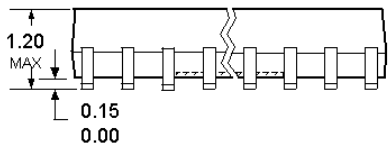
A8904SLP (HTSSOP)



Dimensions in Inches
(for reference only)



Dimensions in Millimeters
(controlling dimensions)



- NOTES:
1. Exact body and lead configuration at vendor's option within limits shown.
 2. Lead spacing tolerance is non-cumulative.
 3. Supplied in standard sticks/tubes of 49 devices or add "TR" to part number for tape and reel.

8904
3-PHASE BRUSHLESS DC
MOTOR CONTROLLER/DRIVER

The products described here are manufactured under one or more U.S. patents or U.S. patents pending.

Allegro MicroSystems, Inc. reserves the right to make, from time to time, such departures from the detail specifications as may be required to permit improvements in the performance, reliability, or manufacturability of its products. Before placing an order, the user is cautioned to verify that the information being relied upon is current.

Allegro products are not authorized for use as critical components in life-support devices or systems without express written approval.

The information included herein is believed to be accurate and reliable. However, Allegro MicroSystems, Inc. assumes no responsibility for its use; nor for any infringement of patents or other rights of third parties which may result from its use.