

PLEASE CHECK WWW.MOLEX.COM FOR LATEST PART INFORMATION

Part Number: **5009990900**
Status: **Active**
Description: 2.50mm (.098") Pitch SD Memory Card Connector, Shielded Type, Top Mount, Push-Push Ejector, Ultra Short Solder Tab, Embossed Tape Packaging, Lead-free

Documents:

[3D Model](#) [Product Specification PS-500999-001 \(PDF\)](#)
[Drawing \(PDF\)](#) [RoHS Certificate of Compliance \(PDF\)](#)

General

Product Family	Memory Card Sockets
Series	500999
Button Type	Push-Push
Comments	Ultra Short Solder Tab
Component Type	Header & Ejector (Host)
Product Name	SD Card
Type	N/A

Physical

Card Detection Switch	Open
Circuits (Loaded)	9
Color - Resin	Black
Durability (mating cycles max)	10,000
Ejector Button Side	Left
Entry Angle	90° Angle (Side Entry)
Keying to Mating Part	Yes
Material - Metal	Brass, Phosphor Bronze, Stainless Steel, Steel
Material - Plating Mating	Gold
Material - Plating Termination	Gold, Tin
Material - Resin	High Temperature Thermoplastic
PCB Locator	Yes
PCB Mounting Side	Normal
PCB Retention	Yes
Packaging Type	Embossed Tape on Reel
Pitch - Mating Interface (in)	0.098 In
Pitch - Mating Interface (mm)	2.50 mm
Plating min: Mating (µin)	8
Plating min: Mating (µm)	0.2
Plating min: Termination (µin)	2, 40
Plating min: Termination (µm)	0.05, 1
Ports	1
Temperature Range - Operating	-25°C to +90°C
Termination Interface: Style	Surface Mount

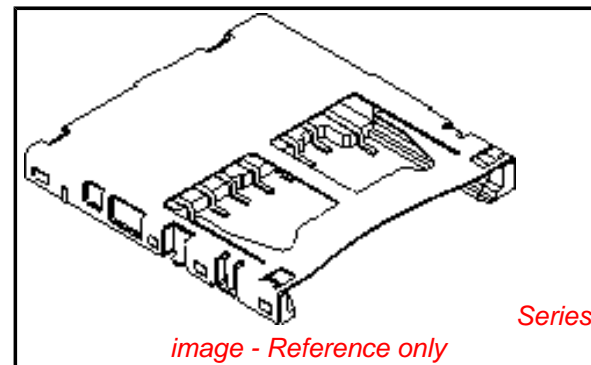
Electrical

Current - Maximum per Contact	0.5A
Shielded	Yes
Voltage - Maximum	100V AC

Material Info

Reference - Drawing Numbers

Product Specification	PS-500999-001, RPS-500999-001
Sales Drawing	SD-500999-002, SD-500999-004



EU RoHS

**ELV and RoHS
Compliant**
REACH SVHC
 Not Reviewed
**Halogen-Free
Status**

China RoHS



Not Reviewed

**Need more information on product
environmental compliance?**

Email productcompliance@molex.com
 For a multiple part number RoHS Certificate of Compliance, [click here](#)

Please visit the [Contact Us](#) section for any non-product compliance questions.

Search Parts in this Series

500999Series

Use With

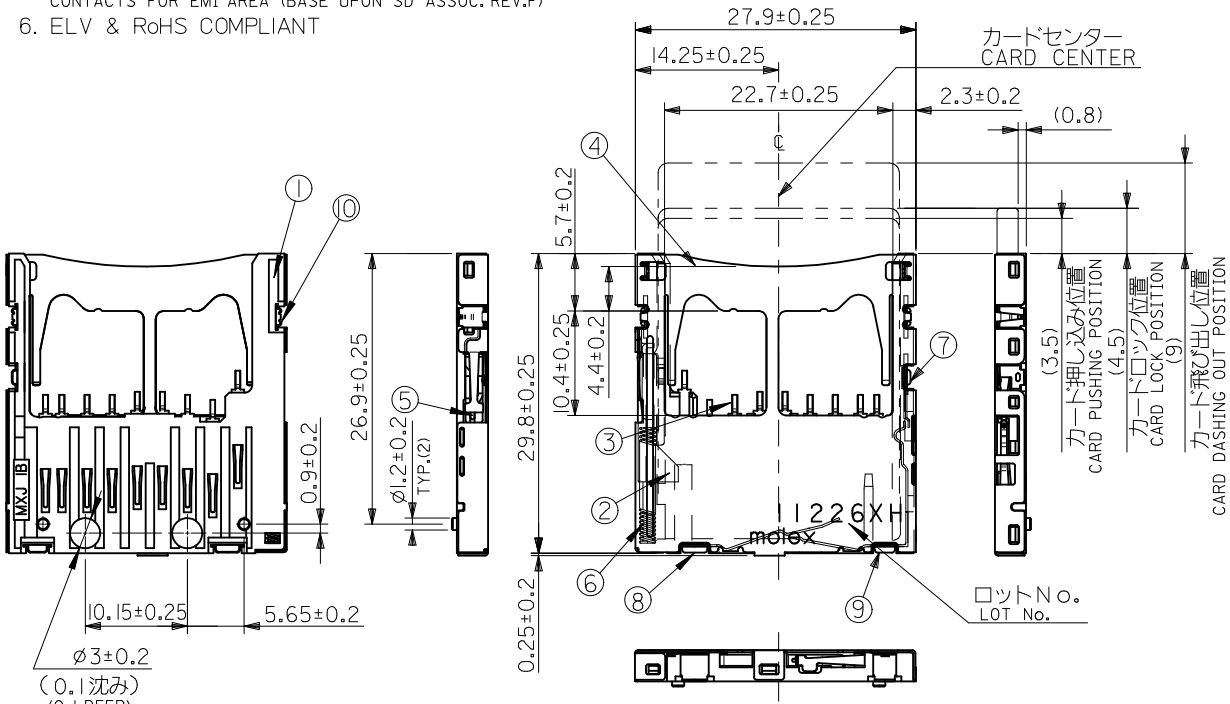
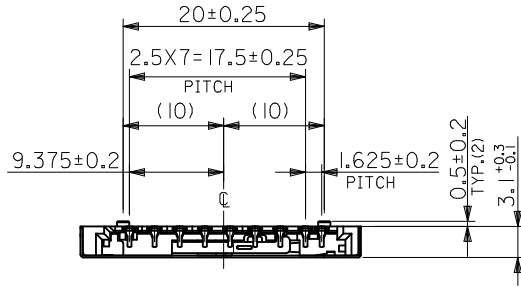
SD Card

This document was generated on 04/19/2010

PLEASE CHECK WWW.MOLEX.COM FOR LATEST PART INFORMATION

NOTES

- ターミナル及びネイル平坦度は 0.1 MAX.
TERMINAL AND NAIL COPLANARITY TO BE 0.1 MAX.
- 各スイッチのオープン/クローズ
OPENING/CLOSE OF EACH SWITCH
- 納入時、プッシュプッシュ機構はアンロック状態
(カード飛び出し位置)
WHEN DELIVERING, THE PUSH/PUSH MECHANISM IS IN
THE STATE OF THE UNLOCK.
(CARD DASHING OUT POSITION)
- 推奨基板厚 : 0.8±0.1
RECOMMENDED P.C.B. THICKNESS: 0.8±0.1
- EMI 用コンタクト範囲 (SD ASSOC. REV.F に準拠)
CONTACTS FOR EMI AREA (BASE UPON SD ASSOC. REV.F)
- ELV & RoHS COMPLIANT



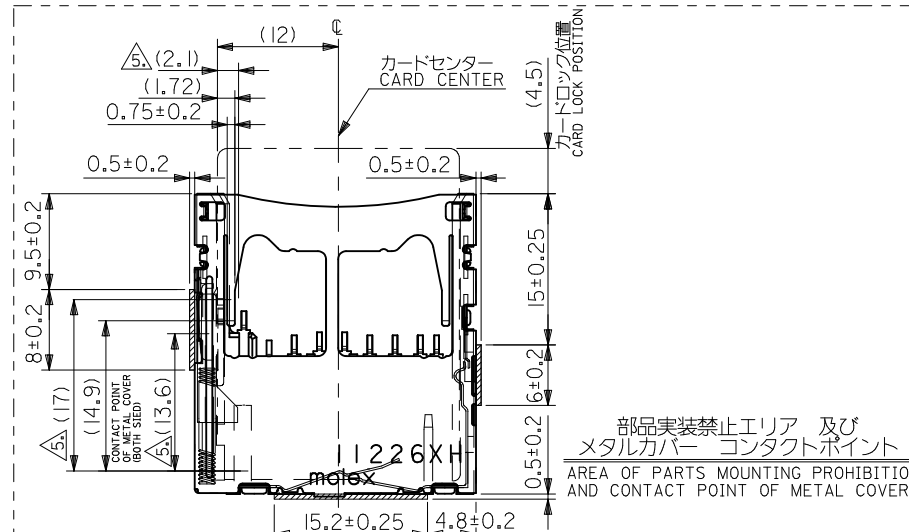
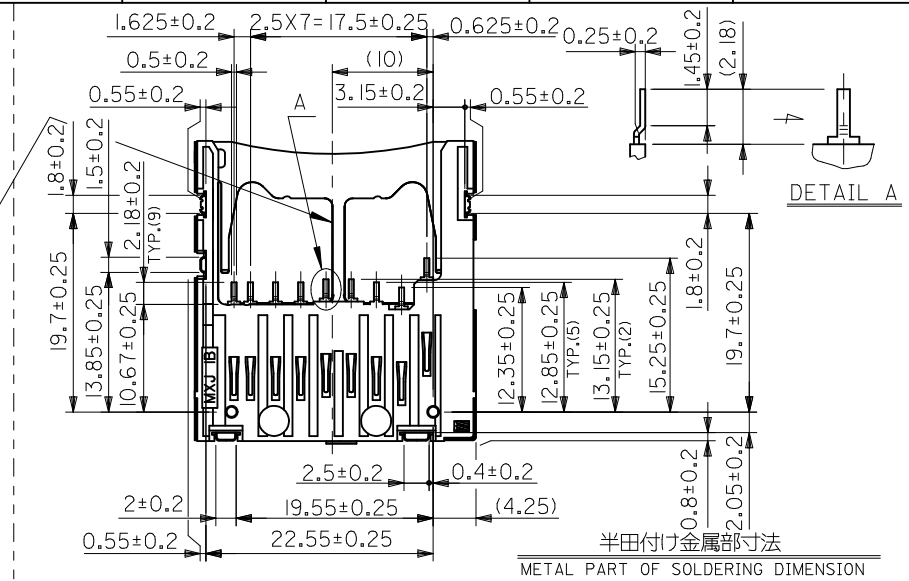
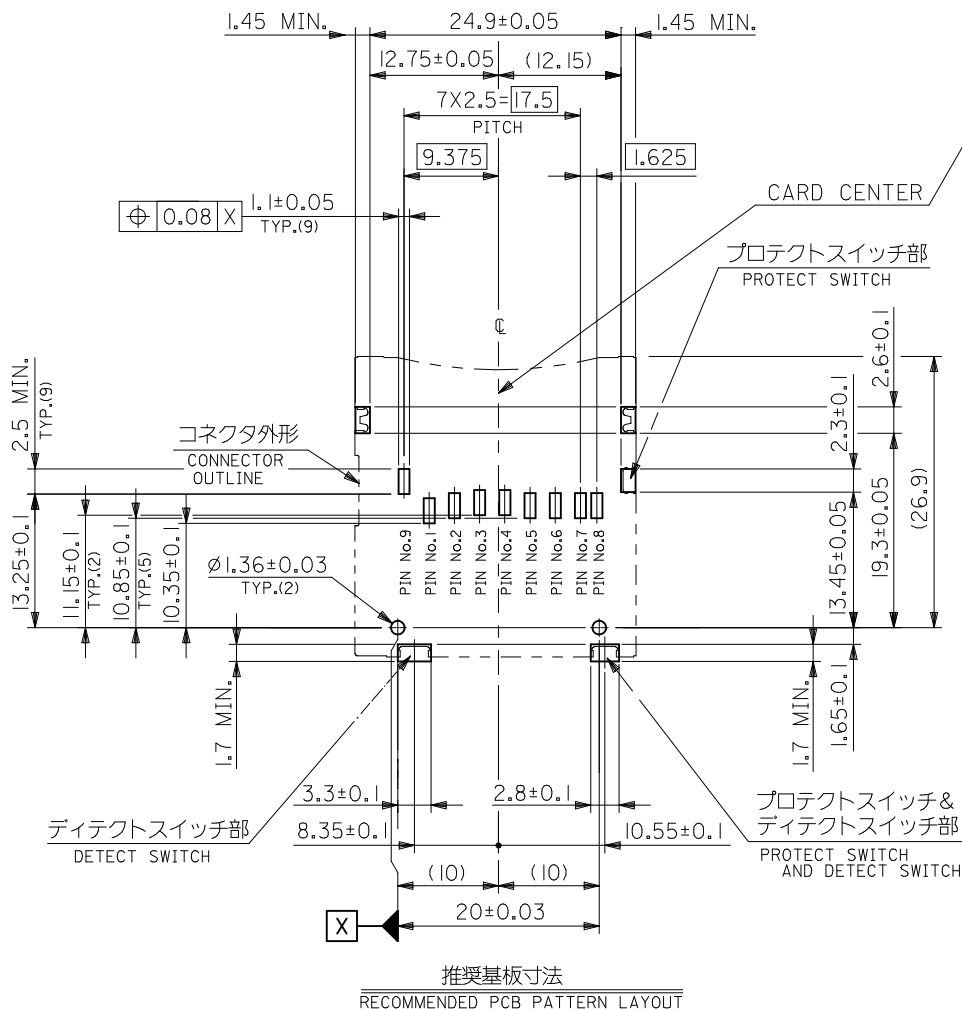
NO.	NAME	QTY	MATERIAL
①	ハウジング HOUSING	1	液晶ポリマー(LCP),ガラス充填,UL94V-0,黒 LIQUID CRYSTAL POLYMER(LCP),GLASS FILLED UL94V-0, BLACK
②	スライダーカム SLIDER CAM	1	液晶ポリマー(LCP),ガラス充填,UL94V-0,黒 LIQUID CRYSTAL POLYMER(LCP),GLASS FILLED UL94V-0, BLACK
③	ターミナル TERMINAL	9	燐青銅 PHOSPHOR BRONZE 接点部: 金めっき (0.2µm以上) 接点部: ニッケルパラジウムめっき (0.3µm以上) テール部: 鍍めっき (1.0µm以上) 下地: ニッケルめっき (1.5µm以上) CONTACT: GOLD PLATING(0.2MICROMETER MINIMUM.) CONTACT: PALLADIUM-NICKEL PLATING (0.3MICROMETER MINIMUM.) SOLDER TAIL: TIN PLATING(1.0MICROMETER MINIMUM.) UNDERPLATE: NICKEL OVERALL (1.5MICROMETER MINIMUM.)
④	メタルカバー METAL COVER	1	ステンレス鋼 STAINLESS STEEL
⑤	ピン PIN	1	ステンレス鋼 STAINLESS STEEL
⑥	スプリング SPRING	1	ピアノ線 SWP 全面: ニッケルメッキ (1.0µm以上) NICKEL OVERALL(1.0MICROMETER MINIMUM.)
⑦	プロテクトターミナル PROTECT TERMINAL	1	燐青銅 PHOSPHOR BRONZE 接点部: 金めっき (0.2µm以上) テール部: 鍍めっき (1.0µm以上) 下地: ニッケルめっき (2.0µm以上) CONTACT: GOLD PLATING(0.2MICROMETER MINIMUM.) SOLDER TAIL: TIN PLATING(1.0MICROMETER MINIMUM.) UNDERPLATE: NICKEL OVERALL (2.0MICROMETER MINIMUM.)
⑧	ディテクトターミナル DETECT TERMINAL	1	燐青銅 PHOSPHOR BRONZE 接点部: 金めっき (0.2µm以上) 接点部: ニッケルパラジウムめっき (0.3µm以上) テール部: 鍍めっき (1.0µm以上) 下地: ニッケルめっき (1.5µm以上) CONTACT: GOLD PLATING(0.2MICROMETER MINIMUM.) CONTACT: PALLADIUM-NICKEL PLATING (0.3MICROMETER MINIMUM.) SOLDER TAIL: TIN PLATING(1.0MICROMETER MINIMUM.) UNDERPLATE: NICKEL OVERALL (1.5MICROMETER MINIMUM.)
⑨	プロテクト& ディテクトターミナル PROTECT TERMINAL AND DETECT TERMINAL	1	燐青銅 PHOSPHOR BRONZE 接点部: 金めっき (0.2µm以上) 接点部: ニッケルパラジウムめっき (0.3µm以上) テール部: 鍍めっき (1.0µm以上) 下地: ニッケルめっき (1.5µm以上) CONTACT: GOLD PLATING(0.2MICROMETER MINIMUM.) CONTACT: PALLADIUM-NICKEL PLATING (0.3MICROMETER MINIMUM.) SOLDER TAIL: TIN PLATING(1.0MICROMETER MINIMUM.) UNDERPLATE: NICKEL OVERALL (1.5MICROMETER MINIMUM.)
⑩	ネイル NAIL	2	黄銅 BRASS 鍍めっき (1.0µm以上) 下地: ニッケルめっき (1.0µm以上) TIN PLATING(1.0MICROMETER MINIMUM.) UNDERPLATE: NICKEL OVERALL (1.0MICROMETER MINIMUM.)

	プロテクトターミナル PROTECT TERMINAL		ディテクトターミナル DETECT TERMINAL
	カード書き込み 禁止状態 WRITE PROTECT POSITION	カード書き込み 可能状態 WRITE ENABLE POSITION	
カード未装着状態 CARD UNINSERTION	オープン OPEN	オープン OPEN	オープン OPEN
カード装着過程 CARD HALF INSERTION	クローズ CLOSE	クローズ CLOSE	オープン OPEN
カード装着 CARD INSERTION	オープン OPEN	クローズ CLOSE	クローズ CLOSE

REVISED EC NO: J2010-1147 DRWN: HAYASHI 2009/12/01 CHKD: MITSUITA 2009/12/02 APPR: NUKITA 2009/12/02	DESCRIPTION	GENERAL TOLERANCES (UNLESS SPECIFIED)
A		10 UNDER ±0.2 10 OVER 30 UNDER ±0.25 30 OVER ±0.3 ANGULAR ±3 ° DRAFT WHERE APPLICABLE MUST REMAIN WITHIN DIMENSIONS

DIMENSION STYLE MM ONLY		SCALE ---	DESIGN UNITS METRIC
DRAWN BY YSUGIURA	DATE 2004/12/08	TITLE SD CARD CONN.ASS'Y ULTRA SHORT NAIL NORMAL - LEAD FREE -	
CHECKED BY MTANAKA	DATE 2004/12/08	MOLEX INCORPORATED	
APPROVED BY NUKITA	DATE 2004/12/08	MATERIAL NO. SEE CHART	DOCUMENT NO. SD-500999-002
SIZE A3		SHEET NO. 1 OF 2	

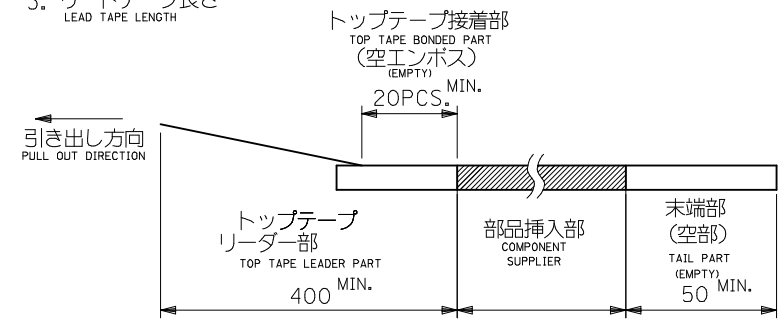
500999-0900
EMBOSSED TAPE PACKAGE
オーダー番号 ORDER NO.
CONNECTOR SERIES NO.: 500999-****
THIRD ANGLE PROJECTION
SD CARD CONN.ASS'Y
ULTRA SHORT NAIL NORMAL
- LEAD FREE -
MOLEX INCORPORATED
THIS DRAWING CONTAINS INFORMATION THAT IS PROPRIETARY TO MOLEX
INCORPORATED AND SHOULD NOT BE USED WITHOUT WRITTEN PERMISSION



REVISED EC NO: J2010-1147 DRWN: HAYASHI 2009/12/01 CHKD: MOTOYAMA 2009/12/02 APPR: NUKITA 2009/12/02	GENERAL TOLERANCES (UNLESS SPECIFIED)		DIMENSION STYLE MM ONLY		SCALE ---	DESIGN UNITS METRIC	THIRD ANGLE PROJECTION
	10 UNDER	±0.2	DRAWN BY YSUGIURA	DATE 2004/12/08	TITLE SD CARD CONN.ASS'Y ULTRA SHORT NAIL NORMAL - LEAD FREE -		
	10 OVER 30 UNDER	±0.25	CHECKED BY MTANAKA	DATE 2004/12/08	MOLEX INCORPORATED		
	30 OVER	±0.3	APPROVED BY NUKITA	DATE 2004/12/08	DOCUMENT NO. SD-500999-002		
ANGULAR	±3 °	DRAFT WHERE APPLICABLE MUST REMAIN WITHIN DIMENSIONS		MATERIAL NO. SEE SHEET 1 OF 2	SHEET NO. 2 OF 2		
A	REV	THIS DRAWING CONTAINS INFORMATION THAT IS PROPRIETARY TO MOLEX INCORPORATED AND SHOULD NOT BE USED WITHOUT WRITTEN PERMISSION					

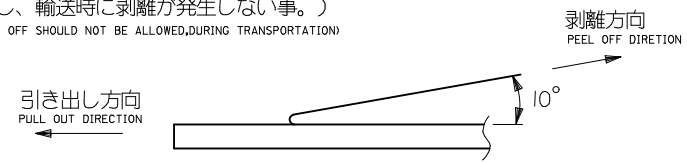
注)
NOTES

- 製品番号 500999-0909 の詳細寸法については、SD 図面を参照下さい。
IN THE PACKAGE, PART NO. 500999-0909 DETAILED DIMENSIONS, SEE SALES DRAWING.
- 梱包数量 : 400 個/リール
NUMBER OF CONNECTORS : 400 PCS/REEL
- リードテープ長さ
LEAD TAPE LENGTH

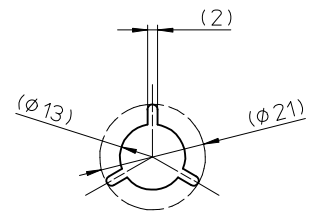
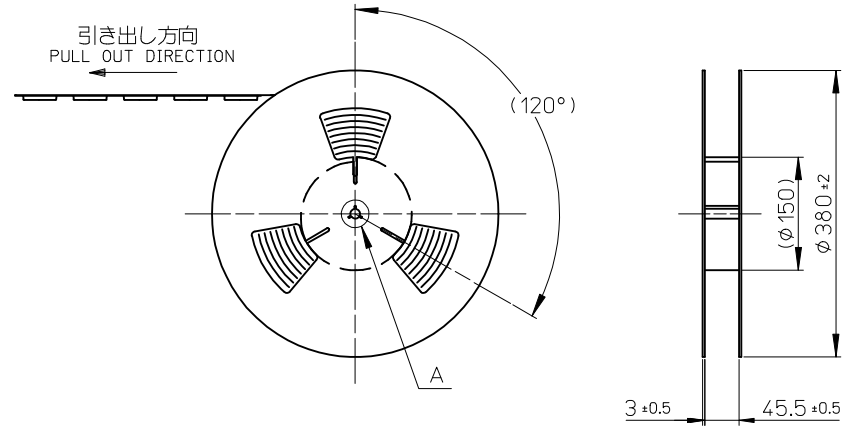


- トップテープの剥離強度 : (剥離方向は下図参照)
PEELING OFF FORCE OF TOP TAPE (PEELING DIRECTION AS SHOWN IN FOLLOWING FIG.)
0. 1~1. 3N (10. 2~130gf) : キャリアテープ幅 44mm
CARRIER TAPE WIDTH 44mm

尚、本規格値は、出荷時に適用。
THIS REQUIREMENT SHOULD BE APPLIED AT SHIPMENT
(但し、輸送時に剥離が発生しない事。)
(PEEL OFF SHOULD NOT BE ALLOWED DURING TRANSPORTATION)



- 材料
MATERIAL
キャリアテープ : ポリプロピレン (PP)
CARRIER TAPE : POLYPROPYLENE (PP)
トップテープ : PET, PE, PEF
TOP TAPE : PET, PE, PEF
リール : 紙/プラスチック
REEL : CARD BOARD/PLASTIC

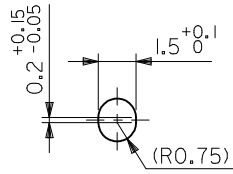


DETAIL A
SCALE 1:1

500999-0900	500999-****
MATERIAL No.	MODEL No.
THIRD ANGLE PROJECTION	

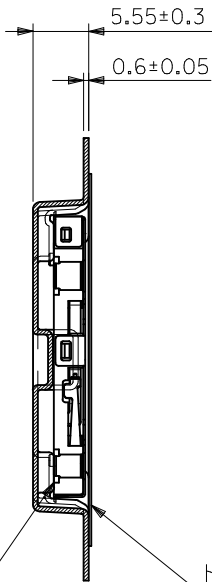
RELEASED EC NO: J2005-1785 DRW: JSAMORI 2004/12/17 CHK: NUKITA 2004/12/17 APPR: NUKITA 2004/12/24	GENERAL TOLERANCES (UNLESS SPECIFIED)		DIMENSION STYLE MM ONLY		SCALE ---	DESIGN UNITS METRIC	TITLE	
	10 UNDER	± 0.25	DRAWN BY YSUGIURA	DATE 2004/12/10	EMBOSS TAPE PACKAGE FOR 50999-0909 - LEAD FREE - MOLEX INCORPORATED			
	10 OVER 30 UNDER	± 0.25	CHECKED BY MTANAKA	DATE 2004/12/10				
	30 OVER	± 0.3	APPROVED BY NUKITA	DATE 2004/12/10				
ANGULAR ± 3 °		MATERIAL NO.		DOCUMENT NO.		SHEET NO.		
DRAFT WHERE APPLICABLE MUST REMAIN WITHIN DIMENSIONS		SEE CHART		SD-500999-004		1 OF 2		
SIZE A3		THIS DRAWING CONTAINS INFORMATION THAT IS PROPRIETARY TO MOLEX INCORPORATED AND SHOULD NOT BE USED WITHOUT WRITTEN PERMISSION						

10 9 8 7 6 5 4 3 2 1



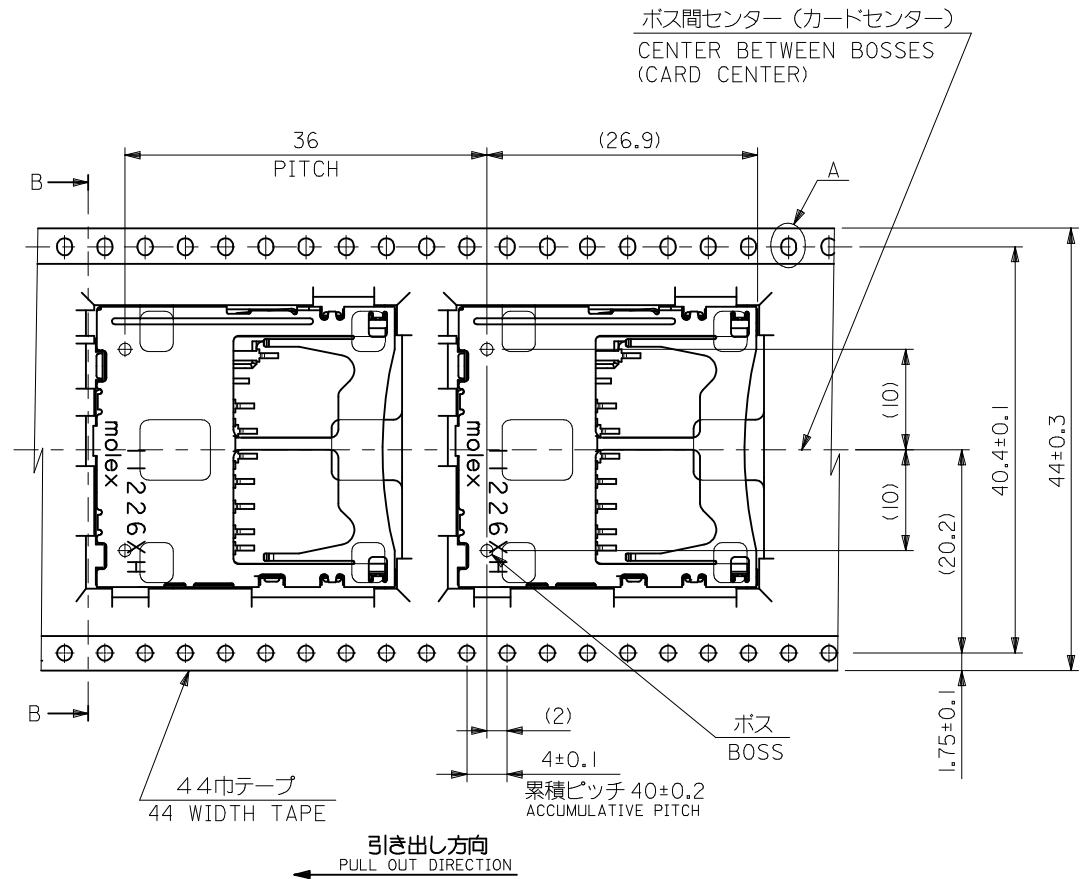
DETAIL A
(5-1)

500999-0909
CONNECTOR



SECTION B-B

トップテープ
TOP TAPE



ボス間センター (カードセンター)
CENTER BETWEEN BOSSES
(CARD CENTER)

引き出し方向
PULL OUT DIRECTION

RELEASED EC NO: J2005-1785 DRWN: JASAWORI 2004/12/17 CHKD: NUKITA 2004/12/17 APPR: NUKITA 2004/12/24	GENERAL TOLERANCES (UNLESS SPECIFIED)		DIMENSION STYLE MM ONLY		SCALE ---	DESIGN UNITS METRIC	THIRD ANGLE PROJECTION
	10 UNDER	±0.2	DRAWN BY YSUGIURA	DATE 2004/12/10	TITLE EMBOSS TAPE PACKAGE FOR 50999-0909 - LEAD FREE -		
	10 OVER 30 UNDER	±0.25	CHECKED BY MTANAKA	DATE 2004/12/10			
	30 OVER	±0.3	APPROVED BY NUKITA	DATE 2004/12/10	MOLEX INCORPORATED		
	ANGULAR	±3 °	MATERIAL NO.	DOCUMENT NO.			
DRAFT WHERE APPLICABLE MUST REMAIN WITHIN DIMENSIONS		SEE SHEET 1 OF 2		SD-500999-004		2 OF 2	
THIS DRAWING CONTAINS INFORMATION THAT IS PROPRIETARY TO MOLEX INCORPORATED AND SHOULD NOT BE USED WITHOUT WRITTEN PERMISSION							