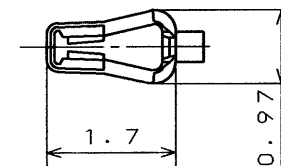
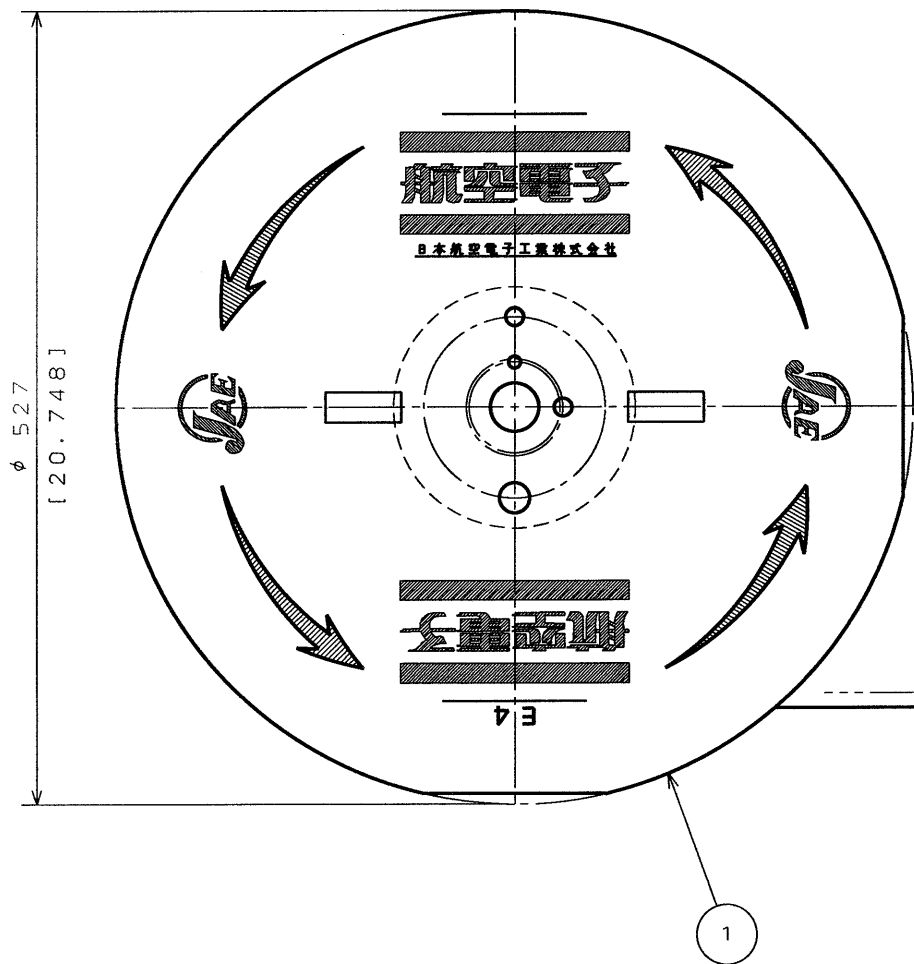
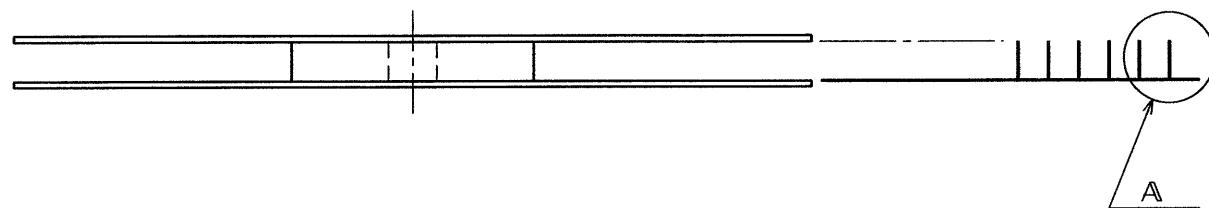


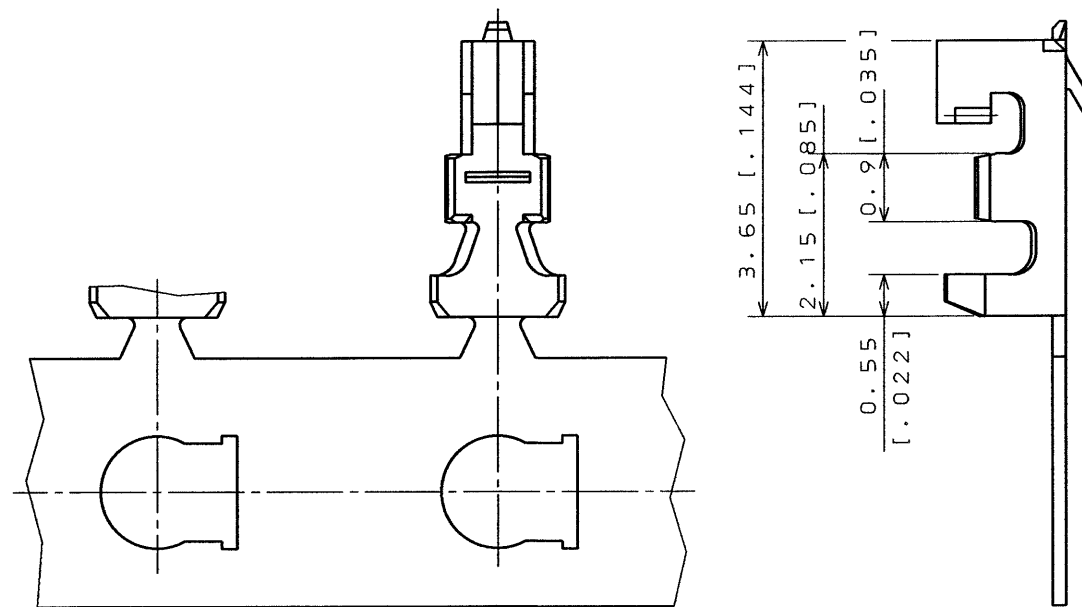
SJ025487-E

DWG. NO.

SYM.	DCN NO.	DESCRIPTION	DATE	DRAWN	CHECKED	APP'D	APP'D



EXCLUDING CRIMP POT



DETAIL A
(SCALE 10/1)

NOTE 1. APPLICABLE WIRE : AWG#28~#32, STRANDED.
 APPLICABLE WIRE INSULATION OUTER DIA: 0.5 [.020] ~ 1.0 [.039] mm.

2. APPLICABLE CRIMPING MACHINE FOR THIS
 MAGAZINE ASS'Y IS CT350-2-ILZ.

ITEM	DESCRIPTION	Q'TY	MATERIAL	FINISH	REMARKS
3	SOCKET CONTACT	15000	PHOSPHOR BRONZE	GOLD OVER KICKEL	Au: 0.1 μm MIN
2	PAPER TEPE	1	PAPER		
1	MAGAGINE	1	PAPER		

REFERENCE DOCUMENT	DATE	SCALE	WT.	Q'TY	APPROVAL
	3 . Jun. '94				
MATERIAL	DRAWN	TITLE			
	H. SAKURADA	IL-Z-C3-A-1			
TREATMENT	CHECKED	-15000			
	IGARASHI	(MAGAGINE ASSEMBLY)			
FINISH	APP'D	SERIES			
		IL-Z			

DIMENSIONS ARE IN MILLIMETERS
 TOLERANCES ON: (INCHES)

DIMENSION	ANGLES	CONCENTRICITY
. ±0.01(.012)	X° ±	WITHIN T.I.R.
.X ±0.01(.008)	X°X' ±	
.XX ±0.11(.004)		
.XXX ±		

DCF-115A



CDS-90-52207

SIZE A3

JAE-CONNECTOR.COM

Reference JAE

MUSASHINO, AKISHIMA-SHI
 TOKYO, JAPAN

DWG. NO.
 SJ025487-E