

GOA9xx24

THREE PHASE AC-SWITCH

Fuse protection
Blown fuse indicators with microswitch
Over temperature switches
Fan loss detection circuit
Snubber for SCR's protections
Extractible stacks for easy field service

LINE VOLTAGE UP TO 500V

RMS OUTPUT CURRENT 2400 A

GOA94024 GOA95024

Line to line voltage	400 V	500 V	
----------------------	--------------	--------------	--

Characteristic		Conditions	Value	Value	
I _{RMS}	RMS output current		2000 A	2000 A	
V _{INS} (rms)	Insulation voltage		3000 V	3000 V	

THYRISTOR CHARACTERISTICS

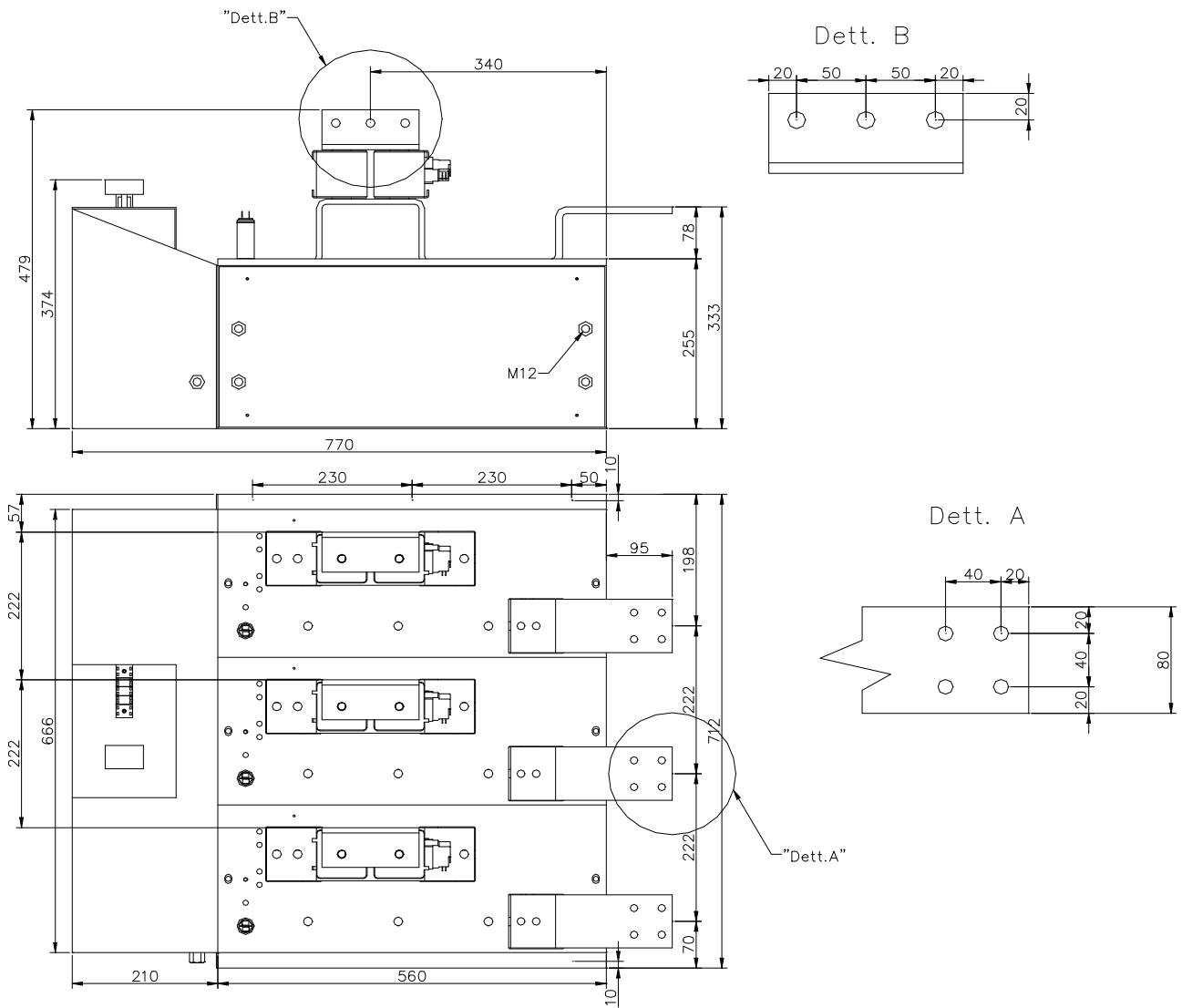
V _{GT}	Gate trigger voltage	T _j = 25 °C, V _d = 5 V	3 V	3 V	
I _{GT}	Gate trigger current	T _j = 25 °C, V _d = 5 V	300 mA	300 mA	
dV/dt	Critical rate of rise off-state voltage	T _j = 125 °C	1000 V/us	1000 V/us	
V _{RRM}	Blocking Voltage	T _j = 125 °C	1200 V	1600 V	

FUSE TYPE 2 X SIBA 2068132.1400

V _{NF}	Rated voltage		690 V	690 V	
I _{NF}	Rated current		1100 A	1100 A	
P _{VF}	Power loss	At rated current	147 W	147 W	
I ² _t	Total I ² t	At 660 V	1750 kA ² s	1750 kA ² s	

MECHANICAL AND THERMAL CHARACTERISTICS

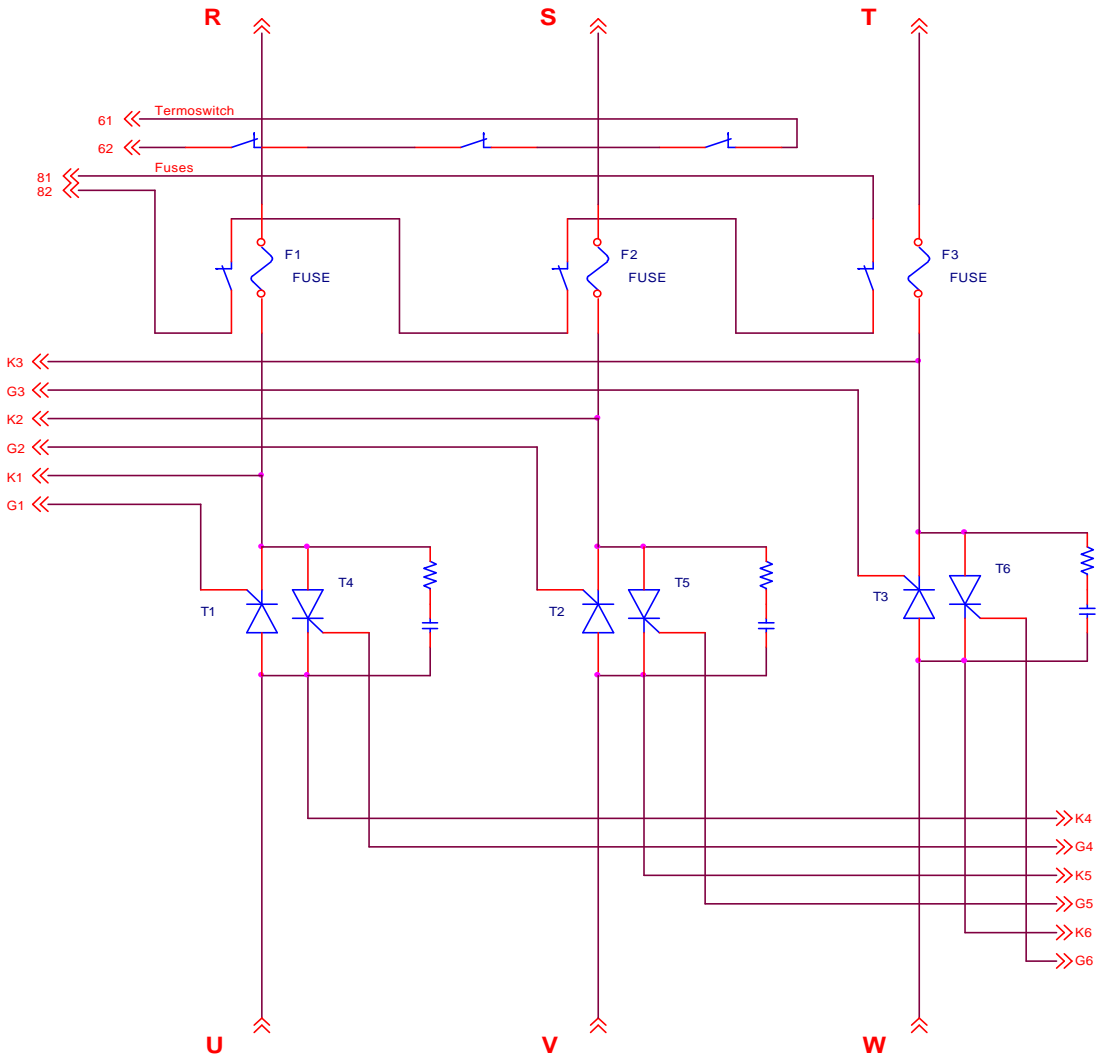
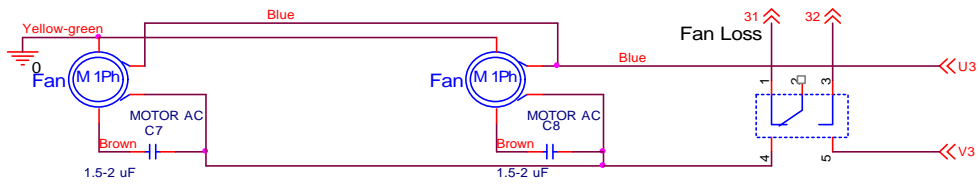
	Width		500 mm	500 mm	
	Depth		275 mm	275 mm	
	Height		855 mm	855 mm	
	Mass		140 kg	140 kg	
T _{a max}	Max amb. op. Temp.		40 °C	40 °C	
T _{stg}	Storage temperature		-40/60 °C	-40/60 °C	



The part numbering system is reported at the beginning of the Open Assembly section.

Customisations are available on request. Please contact factory.

In the interest of product improvement Green Power Solutions reserves the right to change any specification given in this data sheet without notice.



Cooling:

- Fan type: single phase axial
- Number of fans: 2
- Voltage: 230 V
- Current: 1.2 A
- Frequency: 50/60 Hz
- Noise: 62 dBA

In the interest of product improvement Green Power Solutions reserves the right to change any specification given in this data sheet without notice.